

BALDOR® • RELIANCE 

Product Information Packet

EM31104-5

.33HP,1725RPM,3PH,60HZ,56,3416M,OPEN,F1

Part Detail							
Revision:	C	Status:	PRD/A	Change #:		Proprietary:	No
Type:	AC	Elec. Spec:	34WGR271	CD Diagram:	CD0006	Mfg Plant:	
Mech. Spec:	34F779	Layout:	34LYF779	Poles:	04	Created Date:	01-12-2015
Base:	RG	Eff. Date:	06-27-2018	Leads:	3#18		

Specs			
Catalog Number:	EM31104-5	KVA Code:	N
Enclosure:	OPEN	Lifting Lugs:	No Lifting Lugs
Frame:	56	Locked Bearing Indicator:	No Locked Bearing
Frame Material:	Steel	Motor Lead Quantity/Wire Size:	3 @ 18 AWG
Output @ Frequency:	.330 HP @ 60 HZ	Motor Lead Exit:	Ko Box
Synchronous Speed @ Frequency:	1800 RPM @ 60 HZ	Motor Lead Termination:	Flying Leads
Voltage @ Frequency:	575.0 V @ 60 HZ	Motor Type:	3416M
XP Class and Group:	None	Mounting Arrangement:	F1
XP Division:	Not Applicable	Power Factor:	66
Agency Approvals:	UR	Product Family:	General Purpose
	CSA	Pulley End Bearing Type:	Ball
Auxillary Box:	No Auxillary Box	Pulley Face Code:	Standard
Auxillary Box Lead Termination:	None	Pulley Shaft Indicator:	Standard
Base Indicator:	Rigid	Rodent Screen:	None
Bearing Grease Type:	Polyrex EM (-20F +300F)	RoHS Status:	ROHS COMPLIANT
Blower:	None	Shaft Extension Location:	Pulley End
Current @ Voltage:	.500 A @ 575.0 V	Shaft Ground Indicator:	No Shaft Grounding
Design Code:	B	Shaft Rotation:	Reversible

Drip Cover:	No Drip Cover	Shaft Slinger Indicator:	No Slinger
Duty Rating:	CONT	Speed Code:	Single Speed
Electrically Isolated Bearing:	Not Electrically Isolated	Motor Standards:	NEMA
Feedback Device:	NO FEEDBACK	Starting Method:	Direct on line
Front Face Code:	Standard	Thermal Device - Bearing:	None
Front Shaft Indicator:	None	Thermal Device - Winding:	None
Heater Indicator:	No Heater	Vibration Sensor Indicator:	No Vibration Sensor
Insulation Class:	B	Winding Thermal 1:	None
Inverter Code:	Not Inverter	Winding Thermal 2:	None

Nameplate NP2116L	
CAT.NO.	EM31104-5
SPEC.	34F779R271G1
HP	.33
VOLTS	575
AMP	.5
RPM	1725
FRAME	56
SER.F.	1.35
NEMA-NOM-EFF	73.4
RATING	40C AMB-CONT
CC	
DE	6203
ENCL	OPEN
	SFA .6

CODE	N	DES	B	CL	B	PH	3
PF	66	USABLE AT 208V					
ODE	6203	SN					

Parts List		
Part Number	Description	Quantity
SA292191	SA 34F779R271G1	1.000 EA
RA278308	RA 34F779R271G1	1.000 EA
NS2512A01	INSULATOR, CONDUIT BOX X	1.000 EA
34CB3002A	CB CAST W/.88 DIA HOLE	1.000 EA
51XB1016A07	10-16 X 7/16 HXWSSLD SERTYB	2.000 EA
11XW1032G06	10-32 X .38, TAPTITE II, HEX WSHR SLTD U	1.000 EA
34EP3210A01SP	FR ENDPLATE, MACH	1.000 EA
HW5100A03	WAVY WASHER (W1543-017)	1.000 EA
34EP3212A02	PU ENDPLATE, MODEL 34 OPEN	1.000 EA
XY1032A02	10-32 HEX NUT DIRECTIONAL SERRATION	4.000 EA
34CB4517	CB LID 4 MTG HOLES .22 DIA STAMPED, FOR	1.000 EA
51XW0832A07	8-32 X .44, TAPTITE II, HEX WSHR SLTD SE	4.000 EA
HW2501D13	KEY, 3/16 SQ X 1.375	1.000 EA
HA7000A04	KEY RETAINER 0.625 DIA SHAFTS	1.000 EA
MG1000Y03	MUNSELL 2.53Y 6.70/ 4.60, GLOSS 20,	0.014 GA
85XU0407S04	4X1/4 U DRIVE PIN STAINLESS	2.000 EA
HA3100A12	THRUBOLT 10-32 X 7.375	4.000 EA
MN416A01	TAG-INSTAL-MAINT no wire (2100/bx) 4/22	1.000 EA
LB1119N	WARNING LABEL	1.000 EA
NP2116L	ALUM SUPER-E UL CSA CC	1.000 EA
35PA1066	PKG GRP, PRINT PK1001A01	1.000 EA

AC Induction Motor Performance Data

Record # 48811

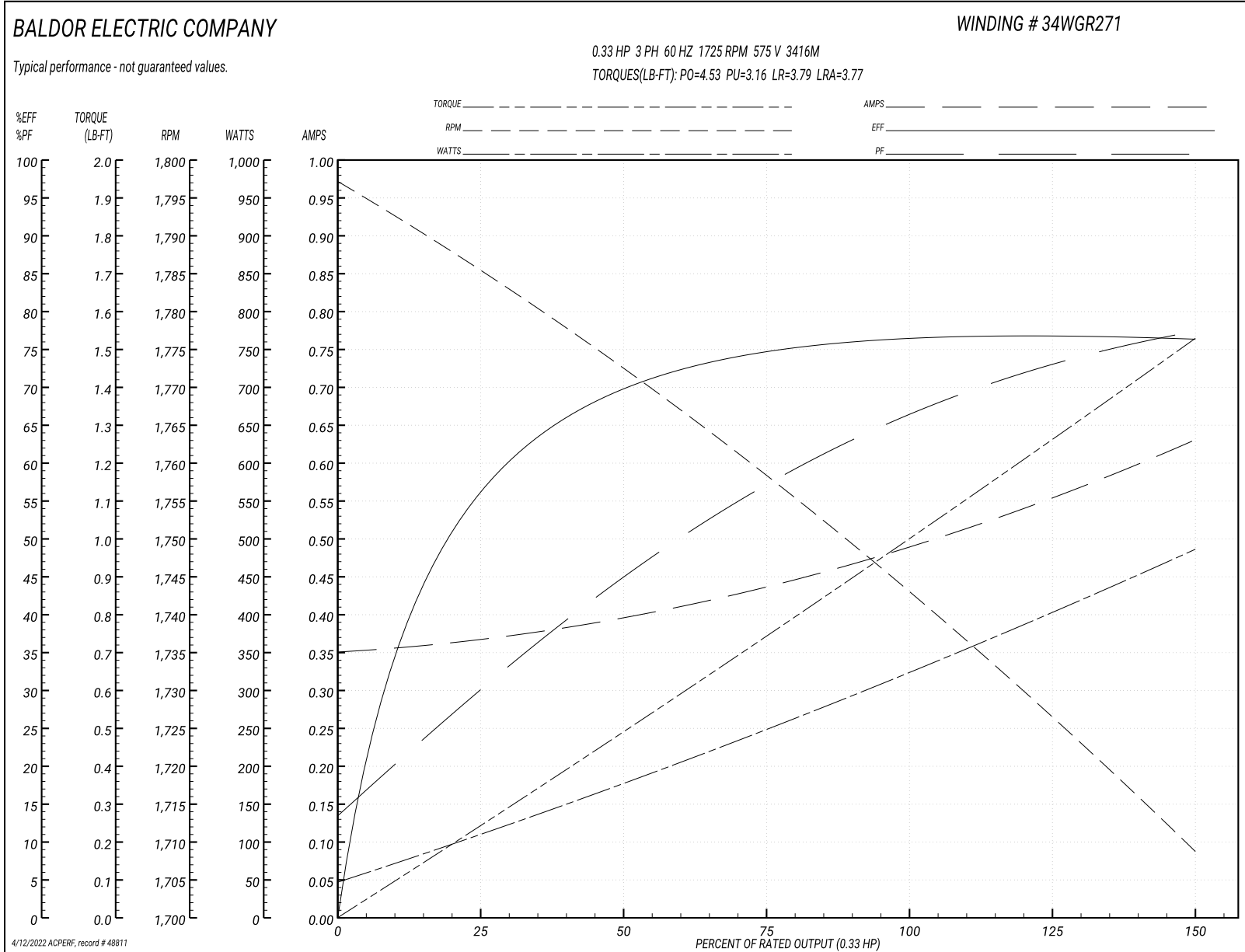
Typical performance - not guaranteed values

Winding: 34WGR271-R001		Type: 3416M	Enclosure: OPEN		
Nameplate Data		575 V, 60 Hz: High Voltage Connection			
Rated Output (HP)	.33	Full Load Torque	1.01 LB-FT		
Volts	575	Start Configuration	direct on line		
Full Load Amps	.5	Breakdown Torque	4.53 LB-FT		
R.P.M.	1725	Pull-up Torque	3.16 LB-FT		
Hz	60 Phase	3	Locked-rotor Torque	3.79 LB-FT	
NEMA Design Code	B	KVA Code	N	Starting Current	3.77 A
Service Factor (S.F.)	1.35	No-load Current	0.353 A		
NEMA Nom. Eff.	73.4	Power Factor	66	Line-line Res. @ 25°C	66.3 Ω
Rating - Duty	40C	AMB-CONT		Temp. Rise @ Rated Load	18°C
S.F. Amps	.6			Temp. Rise @ S.F. Load	23°C
				Locked-rotor Power Factor	58.6
				Rotor inertia	0.0381 LB-FT ²

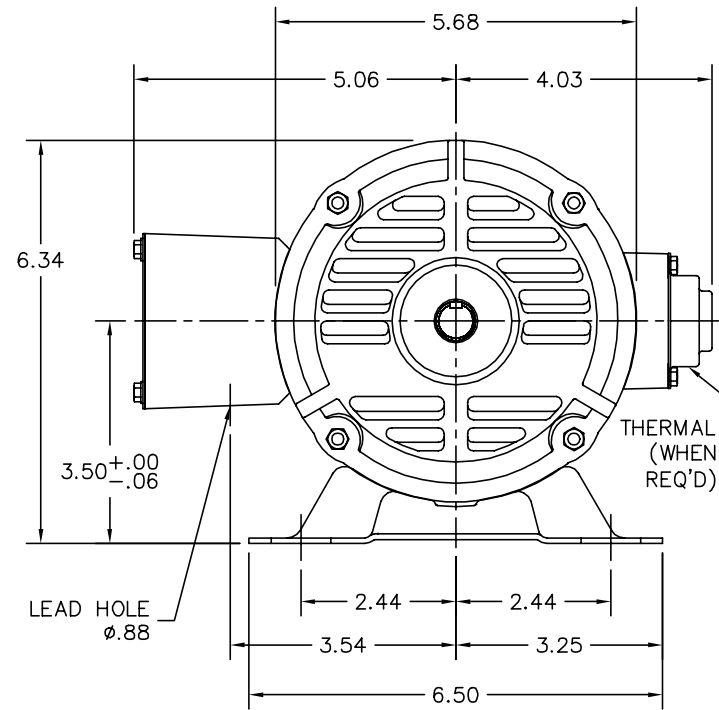
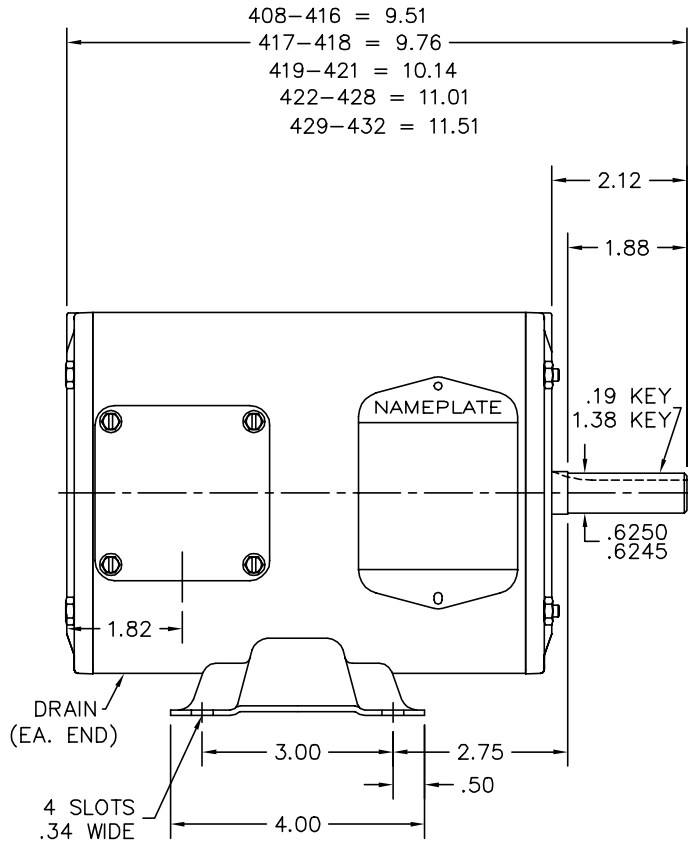
Load Characteristics 575 V, 60 Hz, 0.33 HP

% of Rated Load	25	50	75	100	125	150	S.F.
Power Factor	30	45	57	66	73	78	75
Efficiency	55.6	69.9	74.7	77	76.5	76.4	76.5
Speed	1786	1772	1758	1743	1726	1709	1719
Line amperes	0.364	0.396	0.438	0.492	0.556	0.629	0.585

Performance Graph at 575V, 60Hz, 0.33HP Typical performance - Not guaranteed values



34LYF779



CUSTOMER IS RESPONSIBLE FOR DETERMINING THAT BALDOR'S PRODUCT WILL PERFORM SUITABLY IN THE INTENDED APPLICATION.

REV. DESC: CHG PUEP FROM 34EP3212A24 TO -A02 SEE ZTR02 NOTES		
REV. LTR: D	VERSION: 04	TDR: 000000991828
FILE: \AAA\00181\763	REVISED: 09:50:22 08/11/2016	BY: ENBENBO
MTL: -	⊙ □	

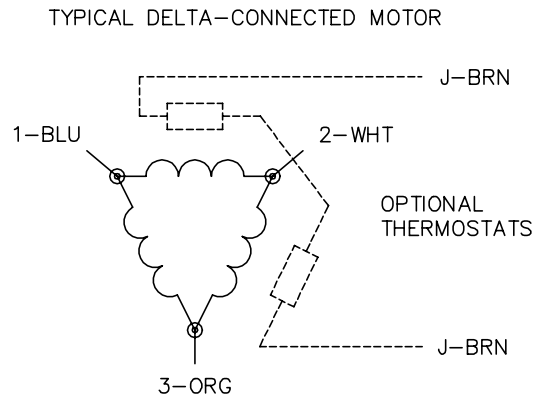
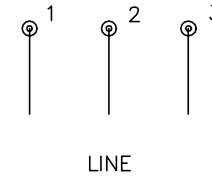
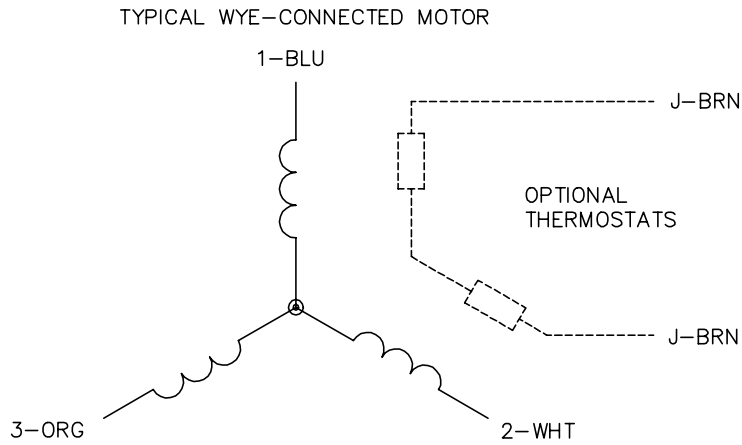
BALDOR

HORZ 34M NEMA 56 OPEN

SH 1 of 1

34LYF779

CD0006



NOTES:

1. THREE LEAD MOTOR MAY BE EITHER WYE CONNECTED OR DELTA CONNECTED.
2. INTERCHANGE ANY TWO LINE LEADS TO REVERSE ROTATION.
3. OPTIONAL THERMOSTATS ARE PROVIDED WHEN SPECIFIED.
4. ACTUAL NUMBER OF INTERNAL PARALLEL CIRCUITS MAY VARY.
5. LEAD COLORS ARE OPTIONAL. LEADS MUST BE NUMBERED AS SHOWN.

CD0006

REV. DESC: ADD CLASS CONN00000007		
REV. LTR: E	VERSION: 01	TDR: 000001099922
FILE: \AAA\00005\141	REVISED: 10:24:49 02/19/2019	BY: ENBRIRO
MTL: -		

BALDOR - RELIANCE®

3PH, SV, 3 LEADS, WYE OR DELTA CONNECTED

SH 1 of 1