

BALDOR® • RELIANCE 

Product Information Packet

EM3312T-8

10HP,3475RPM,3PH,60HZ,213T,3728M,OPSB,F1

Part Detail							
Revision:	F	Status:	PRD/A	Change #:		Proprietary:	No
Type:	AC	Elec. Spec:	37WGR875	CD Diagram:	CD0006	Mfg Plant:	
Mech. Spec:	37B101	Layout:	37LYB101	Poles:	02	Created Date:	08-05-2015
Base:	RG	Eff. Date:	07-02-2019	Leads:	3#10		

Specs			
Catalog Number:	EM3312T-8	Inverter Code:	Inverter Ready
Enclosure:	OPSB	KVA Code:	G
Frame:	213T	Lifting Lugs:	Standard Lifting Lugs
Frame Material:	Steel	Locked Bearing Indicator:	No Locked Bearing
Output @ Frequency:	10.000 HP @ 60 HZ	Motor Lead Quantity/Wire Size:	3 @ 10 AWG
Synchronous Speed @ Frequency:	3600 RPM @ 60 HZ	Motor Lead Exit:	Ko Box
Voltage @ Frequency:	200.0 V @ 60 HZ	Motor Lead Termination:	Flying Leads
XP Class and Group:	None	Motor Type:	3728M
XP Division:	Not Applicable	Mounting Arrangement:	F1
Agency Approvals:	CSA	Power Factor:	87
	CSA EEV	Product Family:	General Purpose
	UR	Pulley End Bearing Type:	Ball
Auxillary Box:	No Auxillary Box	Pulley Face Code:	Standard
Auxillary Box Lead Termination:	None	Pulley Shaft Indicator:	Standard
Base Indicator:	Rigid	Rodent Screen:	None
Bearing Grease Type:	Polyrex EM (-20F +300F)	Shaft Extension Location:	Pulley End
Blower:	None	Shaft Ground Indicator:	No Shaft Grounding
Current @ Voltage:	27.300 A @ 200.0 V	Shaft Rotation:	Reversible

Design Code:	B	Shaft Slinger Indicator:	No Slinger
Drip Cover:	No Drip Cover	Speed Code:	Single Speed
Duty Rating:	CONT	Motor Standards:	NEMA
Electrically Isolated Bearing:	Not Electrically Isolated	Starting Method:	Direct on line
Feedback Device:	NO FEEDBACK	Thermal Device - Bearing:	None
Front Face Code:	Standard	Thermal Device - Winding:	None
Front Shaft Indicator:	None	Vibration Sensor Indicator:	No Vibration Sensor
Heater Indicator:	No Heater	Winding Thermal 1:	None
Insulation Class:	F	Winding Thermal 2:	None

Nameplate NP3553L										
CAT.NO.	EM3312T-8									
SPEC	37B101R875G1									
HP	10									
VOLTS	200									
AMPS	27.3									
RPM	3475									
FRAME	213T				HZ	60			PH	3
SF	1.15		CODE	G	DES	B		CLASS	F	
NEMA NOM. EFF	89.5		PF	87						
RATING	40C AMB-CONT									
CC	010A				USABLE AT 208V					
ENCL	OPSB		SER							
DE	6307			ODE	6206					
VPWM INVERTER READY										
CT30-60(2:1) VT3-60(20:1)										

Parts List		
Part Number	Description	Quantity
SA305152	SA 37B101R875G1	1.000 EA
RA292358	RA 37B101R875G1	1.000 EA
HA6361A01	LIFTING LUG FOR 37, 39 & 40 FRAME ZINC	2.000 EA
37CB3006	37 CB CASTING W/1.38 LEAD HOLE @ 6:00	1.000 EA
51XW2520A10	.25-20 X .62, TAPTITE II, HEX WSHR SLTD	2.000 EA
11XW1032G06	10-32 X .38, TAPTITE II, HEX WSHR SLTD U	1.000 EA
37EP3203A00	MASTER,ODE,206 BRG,GREASER	1.000 EA
HW4500A01	1641B(ALEMITE)400 UNIV, GREASE FITT	1.000 EA
HW5100A06	W2420-025 WVY WSHR (WB)	1.000 EA
37EP3204D00	MASTER,DE,307 BRG,GREASER	1.000 EA
HW4500A01	1641B(ALEMITE)400 UNIV, GREASE FITT	1.000 EA
XY3118A12	5/16-18 HEX NUT DIRECTIONAL SERRATION	4.000 EA
37CB4516	LIPPED LID FOR 37 FRAME NEC KOBX	1.000 EA
51XW0832A07	8-32 X .44, TAPTITE II, HEX WSHR SLTD SE	4.000 EA
HW2501F21	KEY, 5/16 SQ X 2.375	1.000 EA
HA7000A02	KEY RETAINER RING, 1 1/8 DIA, 1 3/8 DIA	1.000 EA
85XU0407S04	4X1/4 U DRIVE PIN STAINLESS	2.000 EA
LB1115N	LABEL,LIFTING DEVICE (ON ROLLS)	1.000 EA
MJ1000A02	GREASE, MOBIL POLYREX EM - 124047	0.050 LB
MG1000Y03	MUNSELL 2.53Y 6.70/ 4.60, GLOSS 20,	0.028 GA
37AD2001A01	BAFFLE PLATE, PLASTIC 0.63" WIDTH	2.000 EA
HA3104A39	THRUBOLT-5/16-18 X 12.250	4.000 EA
LB1119N	WARNING LABEL	1.000 EA
LC0006	CONNECTION LABEL	1.000 EA

Parts List (continued)		
Part Number	Description	Quantity
NP3553L	ALUM SUPER-E VPWM INVERTER READY UL CSA-	1.000 EA
36PA1001	PKG GRP, PRINT PK1017A06	1.000 EA
MN416A01	TAG-INSTAL-MAINT no wire (2100/bx) 4/22	1.000 EA
FE-0000001	ZRTG FE ASSEMBLY	1.000 EA
PE-0000001	ZRTG PE ASSEMBLY	1.000 EA

AC Induction Motor Performance Data

Record # 52222

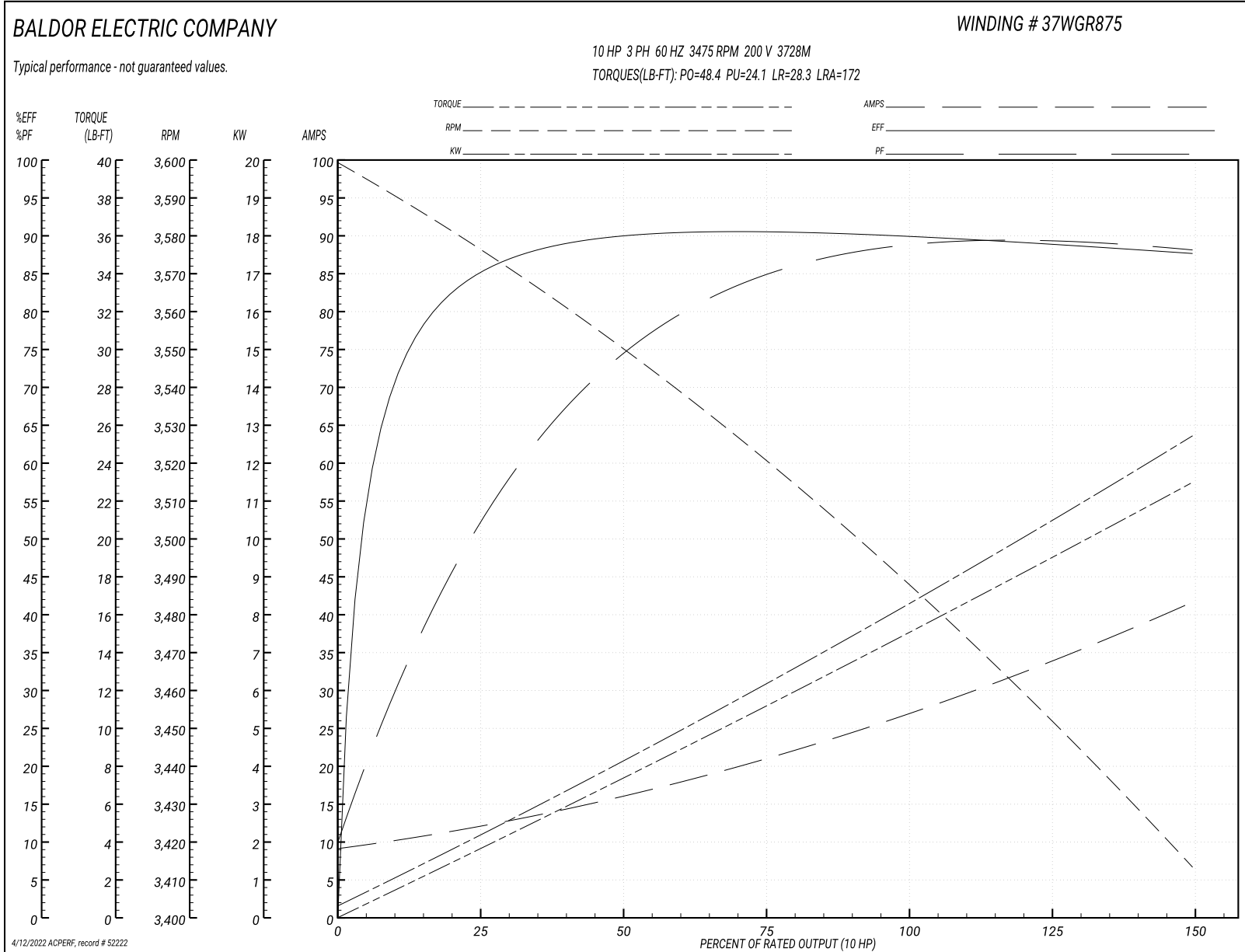
Preliminary Data Sheet

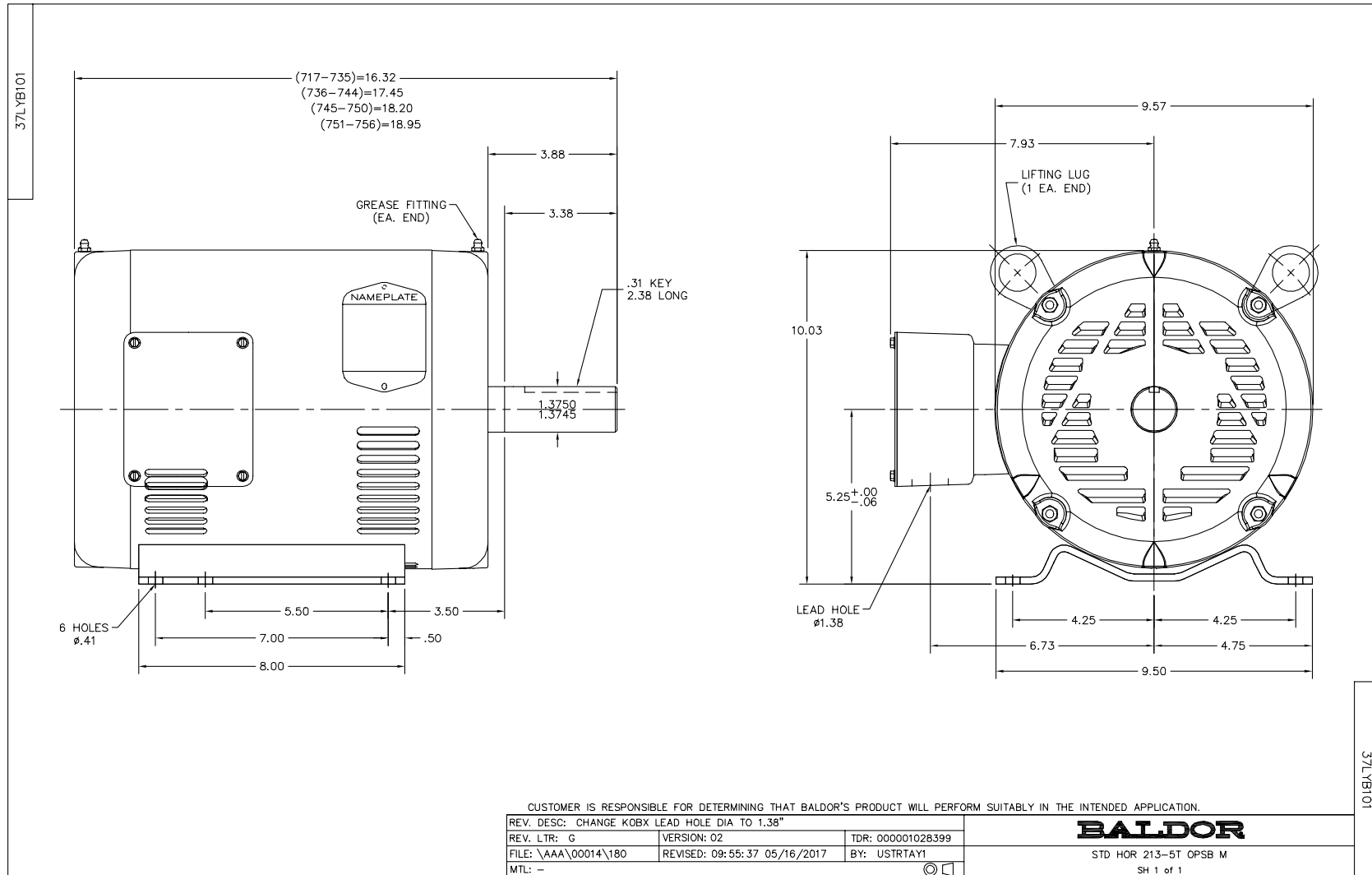
Winding: 37WGR875-R001		Type: 3728M	Enclosure: OPSB
Nameplate Data		200 V, 60 Hz: Single Voltage Motor	
Rated Output (HP)	10	Full Load Torque	15.03 LB-FT
Volts	200	Start Configuration	direct on line
Full Load Amps	27.3	Breakdown Torque	48.4 LB-FT
R.P.M.	3475	Pull-up Torque	24.1 LB-FT
Hz	60 Phase	Locked-rotor Torque	28.3 LB-FT
NEMA Design Code	B KVA Code	Starting Current	172 A
Service Factor (S.F.)	1.15	No-load Current	9.61 A
NEMA Nom. Eff.	89.5 Power Factor	Line-line Res. @ 25°C	0.186 Ω
Rating - Duty	40C AMB-CONT	Temp. Rise @ Rated Load	29°C
S.F. Amps		Temp. Rise @ S.F. Load	36°C
		Locked-rotor Power Factor	34.8
		Rotor inertia	0.255 LB-FT ²

Load Characteristics 200 V, 60 Hz, 10 HP

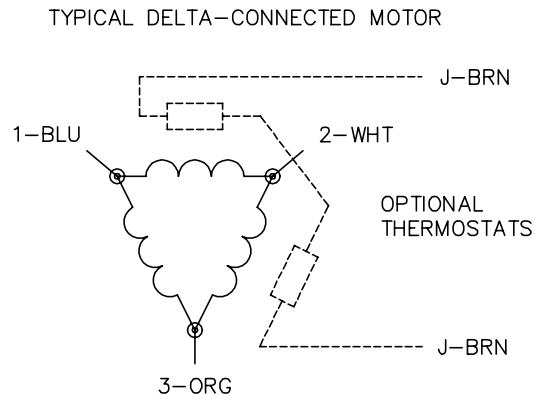
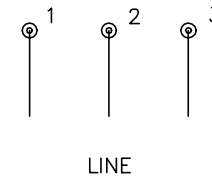
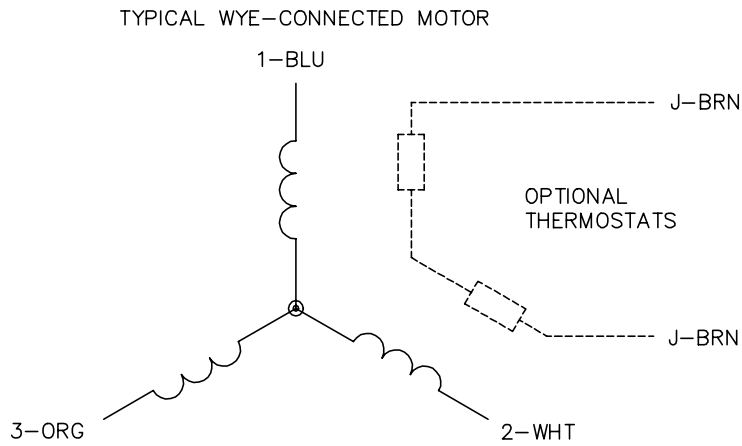
% of Rated Load	25	50	75	100	125	150	S.F.
Power Factor	55	77	84	87	89	89	88
Efficiency	84.9	89.8	90.5	90.2	88.9	87.7	89.4
Speed	3577	3550	3522	3488	3452	3414	3466
Line amperes	11.5	15.6	21.2	27.3	33.8	41.4	31.2

Performance Graph at 200V, 60Hz, 10.0HP Typical performance - Not guaranteed values





CD0006



NOTES:

1. THREE LEAD MOTOR MAY BE EITHER WYE CONNECTED OR DELTA CONNECTED.
2. INTERCHANGE ANY TWO LINE LEADS TO REVERSE ROTATION.
3. OPTIONAL THERMOSTATS ARE PROVIDED WHEN SPECIFIED.
4. ACTUAL NUMBER OF INTERNAL PARALLEL CIRCUITS MAY VARY.
5. LEAD COLORS ARE OPTIONAL. LEADS MUST BE NUMBERED AS SHOWN.

CD0006

REV. DESC: ADD CLASS CONN00000007		
REV. LTR: E	VERSION: 01	TDR: 000001099922
FILE: \AAA\00005\141	REVISED: 10:24:49 02/19/2019	BY: ENBRIRO
MTL: -	© □	

BALDOR - RELIANCE®

3PH, SV, 3 LEADS, WYE OR DELTA CONNECTED

SH 1 of 1