

BALDOR® • RELIANCE 

Product Information Packet

EM3312T-BG

10HP,3475RPM,3PH,60HZ,213T,3728M,OPSB,F1

Part Detail							
Revision:	L	Status:	PRD/A	Change #:		Proprietary:	No
Type:	AC	Elec. Spec:	37WGS633	CD Diagram:	CD0005	Mfg Plant:	
Mech. Spec:	37N346	Layout:	37LYN346	Poles:	02	Created Date:	10-28-2013
Base:	RG	Eff. Date:	02-21-2021	Leads:	9#14		

Specs			
Catalog Number:	EM3312T-BG	Heater Indicator:	No Heater
Enclosure:	OPSB	Insulation Class:	H
Frame:	213T	Inverter Code:	Inverter Ready
Frame Material:	Steel	KVA Code:	G
Output @ Frequency:	10.000 HP @ 60 HZ	Lifting Lugs:	Standard Lifting Lugs
Synchronous Speed @ Frequency:	3600 RPM @ 60 HZ	Locked Bearing Indicator:	Locked Bearing
Voltage @ Frequency:	460.0 V @ 60 HZ	Motor Lead Quantity/Wire Size:	9 @ 14 AWG
	230.0 V @ 60 HZ	Motor Lead Exit:	Ko Box
XP Class and Group:	None	Motor Lead Termination:	Flying Leads
XP Division:	Not Applicable	Motor Type:	3728M
Agency Approvals:	UR	Mounting Arrangement:	F1
	CSA EEV	Power Factor:	86
	CSA	Product Family:	General Purpose
Auxillary Box:	No Auxillary Box	Pulley End Bearing Type:	Ball
Auxillary Box Lead Termination:	None	Pulley Face Code:	Standard
Base Indicator:	Rigid	Pulley Shaft Indicator:	Standard
Bearing Grease Type:	Polyrex EM (-20F +300F)	Rodent Screen:	None
Blower:	None	Shaft Extension Location:	Pulley End

Current @ Voltage:	12.000 A @ 460.0 V	Shaft Ground Indicator:	Shaft Grounding
	24.000 A @ 230.0 V	Shaft Rotation:	Reversible
	25.600 A @ 208.0 V	Shaft Slinger Indicator:	No Slinger
Design Code:	B	Speed Code:	Single Speed
Drip Cover:	No Drip Cover	Motor Standards:	NEMA
Duty Rating:	CONT	Starting Method:	Direct on line
Electrically Isolated Bearing:	Not Electrically Isolated	Thermal Device - Bearing:	None
Feedback Device:	NO FEEDBACK	Thermal Device - Winding:	None
Front Face Code:	Standard	Vibration Sensor Indicator:	No Vibration Sensor
Front Shaft Indicator:	None	Winding Thermal 1:	None
		Winding Thermal 2:	None

Nameplate NP3553L											
CAT.NO.	EM3312T-BG										
SPEC	37N346S633G1										
HP	10										
VOLTS	230/460										
AMPS	24/12										
RPM	3475										
FRAME	213T					HZ	60			PH	3
SF	1.15		CODE	G	DES	B		CLASS	H		
NEMA NOM. EFF	89.5		PF	86							
RATING	40C AMB-CONT										
CC	010A					USABLE AT 208V	25.6				
ENCL	OPSB		SER								
DE	6307			ODE	6206						
VPWM INVERTER READY											
CT30-60(2:1) VT3-60(20:1)											

Parts List		
Part Number	Description	Quantity
SA271449	SA 37N346S633G1	1.000 EA
RA258077	RA 37N346S633G1	1.000 EA
HA6361A01	LIFTING LUG FOR 37, 39 & 40 FRAME ZINC	2.000 EA
37CB3006	37 CB CASTING W/1.38 LEAD HOLE @ 6:00	1.000 EA
51XW2520A10	.25-20 X .62, TAPTITE II, HEX WSHR SLTD	2.000 EA
11XW1032G06	10-32 X .38, TAPTITE II, HEX WSHR SLTD U	1.000 EA
37EP3203A00	MASTER,ODE,206 BRG,GREASER	1.000 EA
HW4500A01	1641B(ALEMITE)400 UNIV, GREASE FITT	1.000 EA
HW5100A06	W2420-025 WVY WSHR (WB)	1.000 EA
37EP3204B00	MASTER,DE,307 BRG,GREASER,LOCKED BEARING	1.000 EA
10XN2520A28	1/4-20X 1 3/4 HEX HD	4.000 EA
HW1001A25	LOCKWASHER 1/4, ZINC PLT .493 OD, .255 I	4.000 EA
HW4500A01	1641B(ALEMITE)400 UNIV, GREASE FITT	1.000 EA
XY3118A12	5/16-18 HEX NUT DIRECTIONAL SERRATION	4.000 EA
37CB4516	LIPPED LID FOR 37 FRAME NEC KOBX	1.000 EA
51XW0832A07	8-32 X .44, TAPTITE II, HEX WSHR SLTD SE	4.000 EA
HW2501F21	KEY, 5/16 SQ X 2.375	1.000 EA
HA7000A02	KEY RETAINER RING, 1 1/8 DIA, 1 3/8 DIA	1.000 EA
85XU0407S04	4X1/4 U DRIVE PIN STAINLESS	2.000 EA
LB1115N	LABEL,LIFTING DEVICE (ON ROLLS)	1.000 EA
LB1508	LABEL "SHAFT GROUNDING BRUSH" 1.50 X .81	1.000 EA
MJ1000A02	GREASE, MOBIL POLYREX EM - 124047	0.050 LB
MG1000Y03	MUNSELL 2.53Y 6.70/ 4.60, GLOSS 20,	0.028 GA
HA3104A39	THRUBOLT-5/16-18 X 12.250	4.000 EA

Parts List (continued)		
Part Number	Description	Quantity
37AD2001A01	BAFFLE PLATE, PLASTIC 0.63" WIDTH	2.000 EA
LC0005E01	CONN.DIA./WARNING LABEL (LC0005/LB1119N)	1.000 EA
MN416A01	TAG-INSTAL-MAINT no wire (2100/bx) 4/22	1.000 EA
NP3553L	ALUM SUPER-E VPWM INVERTER READY UL CSA-	1.000 EA
36PA1001	PKG GRP, PRINT PK1017A06	1.000 EA
PE-0000001	ZRTG PE ASSEMBLY	1.000 EA
FE-0000001	ZRTG FE ASSEMBLY	1.000 EA

AC Induction Motor Performance Data

Record # 53395

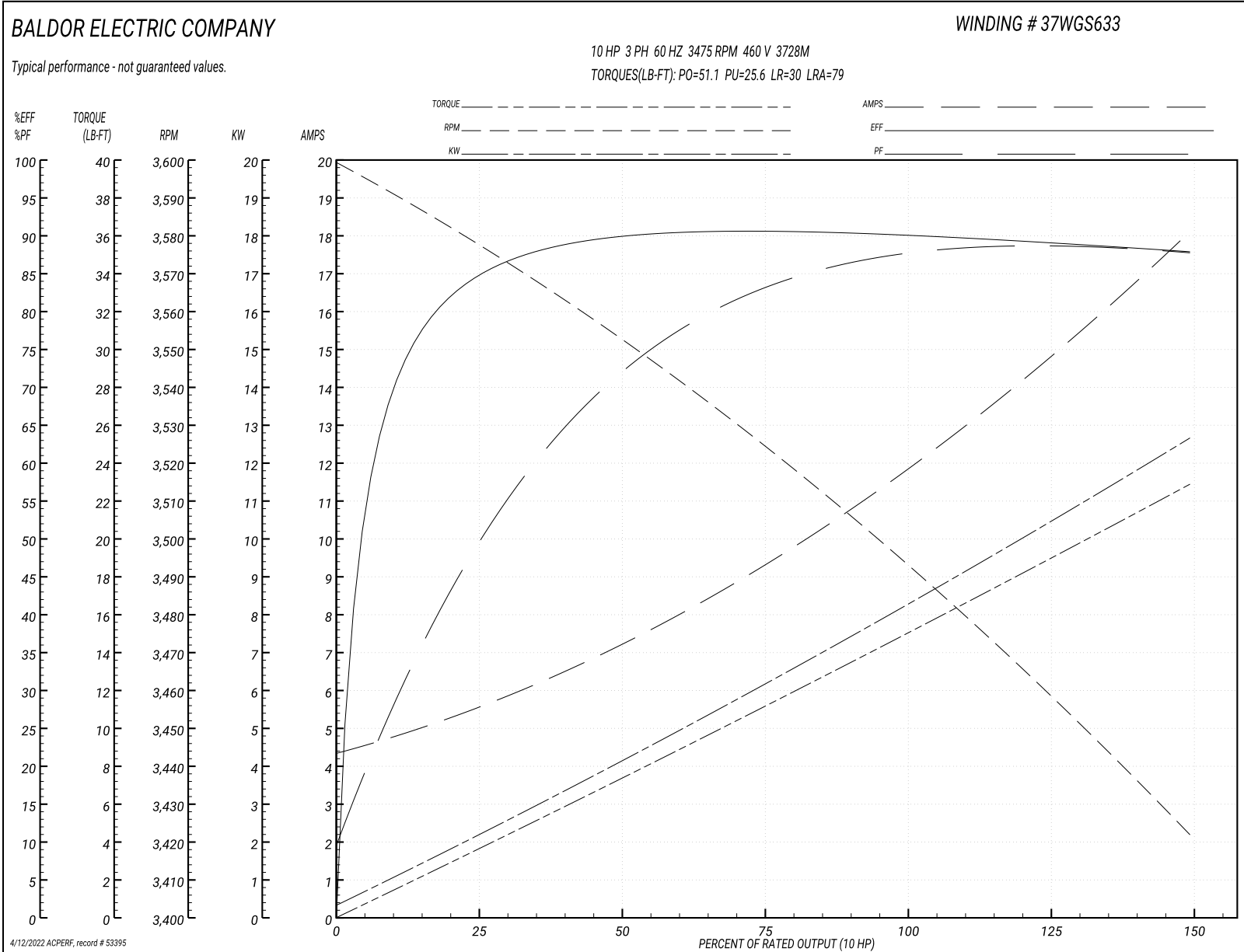
Typical performance - not guaranteed values

Winding: 37WGS633-R010		Type: 3728M		Enclosure: OPSB	
Nameplate Data			460 V, 60 Hz: High Voltage Connection		
Rated Output (HP)	10	Full Load Torque	15 LB-FT		
Volts	230/460	Start Configuration	direct on line		
Full Load Amps	24/12	Breakdown Torque	51.1 LB-FT		
R.P.M.	3475	Pull-up Torque	25.6 LB-FT		
Hz	60 Phase	3	Locked-rotor Torque	30 LB-FT	
NEMA Design Code	B KVA Code	G	Starting Current	79 A	
Service Factor (S.F.)	1.15		No-load Current	4.54 A	
NEMA Nom. Eff.	89.5	Power Factor	86		
Rating - Duty	40C AMB-CONT		Temp. Rise @ Rated Load	29°C	
S.F. Amps			Temp. Rise @ S.F. Load	35°C	
			Locked-rotor Power Factor	35	
			Rotor inertia	0.255 LB-FT ²	

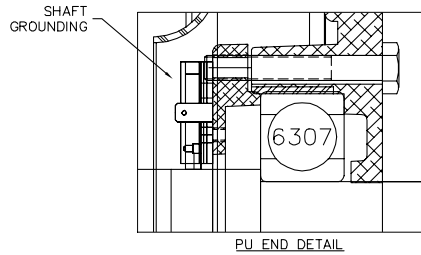
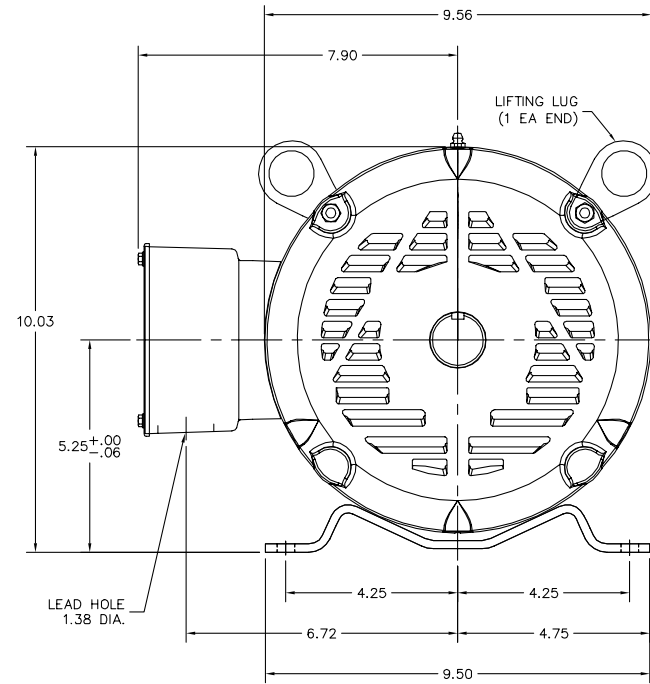
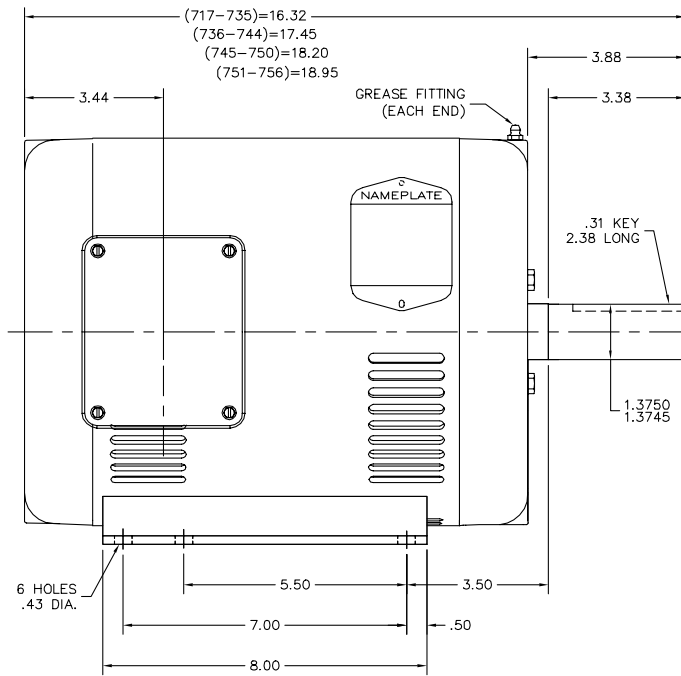
Load Characteristics 460 V, 60 Hz, 10 HP

% of Rated Load	25	50	75	100	125	150	S.F.
Power Factor	52	74	82	86	88	88	87
Efficiency	84.2	89.7	90.6	90.2	89.3	87.9	89.7
Speed	3578.4	3552.7	3525.5	3493.1	3458.3	3422.6	3472
Line amperes	5.31	7.03	9.39	12	14.8	18	13.7

Performance Graph at 460V, 60Hz, 10.0HP Typical performance - Not guaranteed values



37LYN346



CUSTOMER IS RESPONSIBLE FOR DETERMINING THAT BALDOR'S PRODUCT WILL PERFORM SUITABLY IN THE INTENDED APPLICATION.

REV. DESC: CORRECT LAYERS		
REV. LTR: C	VERSION: 03	TDR: 000001046695
FILE: \AAA\00204\478	REVISED: 11:17:09 11/02/2017	BY: ENBRAMO
MTL: -		

BALDOR
 HORZ 213-5T OPSB 37M, BALDOR INT SHAFT GND
 SH 1 of 1

37LYN346

CD0005



LOW VOLTAGE
(2Y)



LINE

HIGH VOLTAGE
(1Y)



LINE

NOTES:

1. INTERCHANGE ANY TWO LINE LEADS TO REVERSE ROTATION.
2. OPTIONAL THERMOSTATS ARE PROVIDED WHEN SPECIFIED.
3. ACTUAL NUMBER OF INTERNAL PARALLEL CIRCUITS MAY BE A MULTIPLE OF THOSE SHOWN ABOVE.
4. LEAD COLORS ARE OPTIONAL. LEADS MUST ALWAYS BE NUMBERED AS SHOWN.

REV. DESC: REVISE TO SHOW OPTIONAL COLORS			
REV. LTR: E	BY: JLP	REVISED: 01/19/99 10:15	TDR: 0171435
900000		FILE: AAA00005140	MDL: -
		MTL: -	

BALDOR ELECTRIC Co.

3PH, DV, 9 LEADS

CD0005