

BALDOR® • RELIANCE 

Product Information Packet

EM3313T-5

10HP,1770RPM,3PH,60HZ,215T,3740M,OPSB,F1

Part Detail							
Revision:	V	Status:	PRD/A	Change #:		Proprietary:	No
Type:	AC	Elec. Spec:	37WGT932	CD Diagram:	CD0006	Mfg Plant:	
Mech. Spec:	37F614	Layout:	37LYF614	Poles:	04	Created Date:	03-19-2009
Base:	RG	Eff. Date:	06-14-2021	Leads:	3#14		

Specs			
Catalog Number:	EM3313T-5	Inverter Code:	Inverter Ready
Enclosure:	OPSB	KVA Code:	H
Frame:	215T	Lifting Lugs:	Standard Lifting Lugs
Frame Material:	Steel	Locked Bearing Indicator:	No Locked Bearing
Output @ Frequency:	10.000 HP @ 60 HZ	Motor Lead Quantity/Wire Size:	3 @ 14 AWG
Synchronous Speed @ Frequency:	1800 RPM @ 60 HZ	Motor Lead Exit:	Ko Box
Voltage @ Frequency:	575.0 V @ 60 HZ	Motor Lead Termination:	Flying Leads
XP Class and Group:	None	Motor Type:	3740M
XP Division:	Not Applicable	Mounting Arrangement:	F1
Agency Approvals:	CSA	Power Factor:	82
	CSA EEV	Product Family:	General Purpose
	UR	Pulley End Bearing Type:	Ball
Auxillary Box:	No Auxillary Box	Pulley Face Code:	Standard
Auxillary Box Lead Termination:	None	Pulley Shaft Indicator:	Standard
Base Indicator:	Rigid	Rodent Screen:	None
Bearing Grease Type:	Polyrex EM (-20F +300F)	RoHS Status:	ROHS COMPLIANT
Blower:	None	Shaft Extension Location:	Pulley End
Current @ Voltage:	10.000 A @ 575.0 V	Shaft Ground Indicator:	No Shaft Grounding

Design Code:	B	Shaft Rotation:	Reversible
Drip Cover:	No Drip Cover	Shaft Slinger Indicator:	No Slinger
Duty Rating:	CONT	Speed Code:	Single Speed
Electrically Isolated Bearing:	Not Electrically Isolated	Motor Standards:	NEMA
Feedback Device:	NO FEEDBACK	Starting Method:	Direct on line
Front Face Code:	Standard	Thermal Device - Bearing:	None
Front Shaft Indicator:	None	Thermal Device - Winding:	None
Heater Indicator:	No Heater	Vibration Sensor Indicator:	No Vibration Sensor
Insulation Class:	F	Winding Thermal 1:	None
		Winding Thermal 2:	None

Nameplate NP3553L										
CAT.NO.	EM3313T-5									
SPEC	37F614T932									
HP	10									
VOLTS	575									
AMPS	10									
RPM	1770									
FRAME	215T				HZ	60			PH	3
SF	1.15		CODE	H	DES	B		CLASS	F	
NEMA NOM. EFF	91.7		PF	82						
RATING	40C AMB-CONT									
CC	010A				USABLE AT 208V					
ENCL	OPSB		SER							
DE	6307			ODE	6206					
VPWM INVERTER READY										
CT30-60(2:1) VT3-60(20:1)										

Parts List		
Part Number	Description	Quantity
SA180692	SA 37F614T932	1.000 EA
RA168647	RA 37F614T932	1.000 EA
HA6361A01	LIFTING LUG FOR 37, 39 & 40 FRAME ZINC	2.000 EA
37CB3006	37 CB CASTING W/1.38 LEAD HOLE @ 6:00	1.000 EA
51XW2520A10	.25-20 X .62, TAPTITE II, HEX WSHR SLTD	2.000 EA
11XW1032G06	10-32 X .38, TAPTITE II, HEX WSHR SLTD U	1.000 EA
37EP3203A00	MASTER,ODE,206 BRG,GREASER	1.000 EA
HW4500A01	1641B(ALEMITE)400 UNIV, GREASE FITT	1.000 EA
HW5100A06	W2420-025 WVY WSHR (WB)	1.000 EA
37EP3204D00	MASTER,DE,307 BRG,GREASER	1.000 EA
HW4500A01	1641B(ALEMITE)400 UNIV, GREASE FITT	1.000 EA
XY3118A12	5/16-18 HEX NUT DIRECTIONAL SERRATION	4.000 EA
37CB4516	LIPPED LID FOR 37 FRAME NEC KOBX	1.000 EA
51XW0832A07	8-32 X .44, TAPTITE II, HEX WSHR SLTD SE	4.000 EA
HW2501F21	KEY, 5/16 SQ X 2.375	1.000 EA
85XU0407S04	4X1/4 U DRIVE PIN STAINLESS	2.000 EA
LB1115N	LABEL,LIFTING DEVICE (ON ROLLS)	1.000 EA
MJ1000A02	GREASE, MOBIL POLYREX EM - 124047	0.050 LB
MG1000Y03	MUNSELL 2.53Y 6.70/ 4.60, GLOSS 20,	0.028 GA
HA3104A35	THRUBOLT .31-18 X 13.687	4.000 EA
37AD2001A01	BAFFLE PLATE, PLASTIC 0.63" WIDTH	2.000 EA
LB1119N	WARNING LABEL	1.000 EA
LC0006	CONNECTION LABEL	1.000 EA
NP3553L	ALUM SUPER-E VPWM INVERTER READY UL CSA-	1.000 EA

Parts List (continued)		
Part Number	Description	Quantity
G0PA1000	PKG GRP, PRINT PK1026A06	1.000 EA
MN416A01	TAG-INSTAL-MAINT no wire (2100/bx) 4/22	1.000 EA
FE-0000001	ZRTG FE ASSEMBLY	1.000 EA
PE-0000001	ZRTG PE ASSEMBLY	1.000 EA

Accessories		
Part Number	Description	Multiplier
37-1404	C FACE KIT	A8

AC Induction Motor Performance Data

Record # 28137

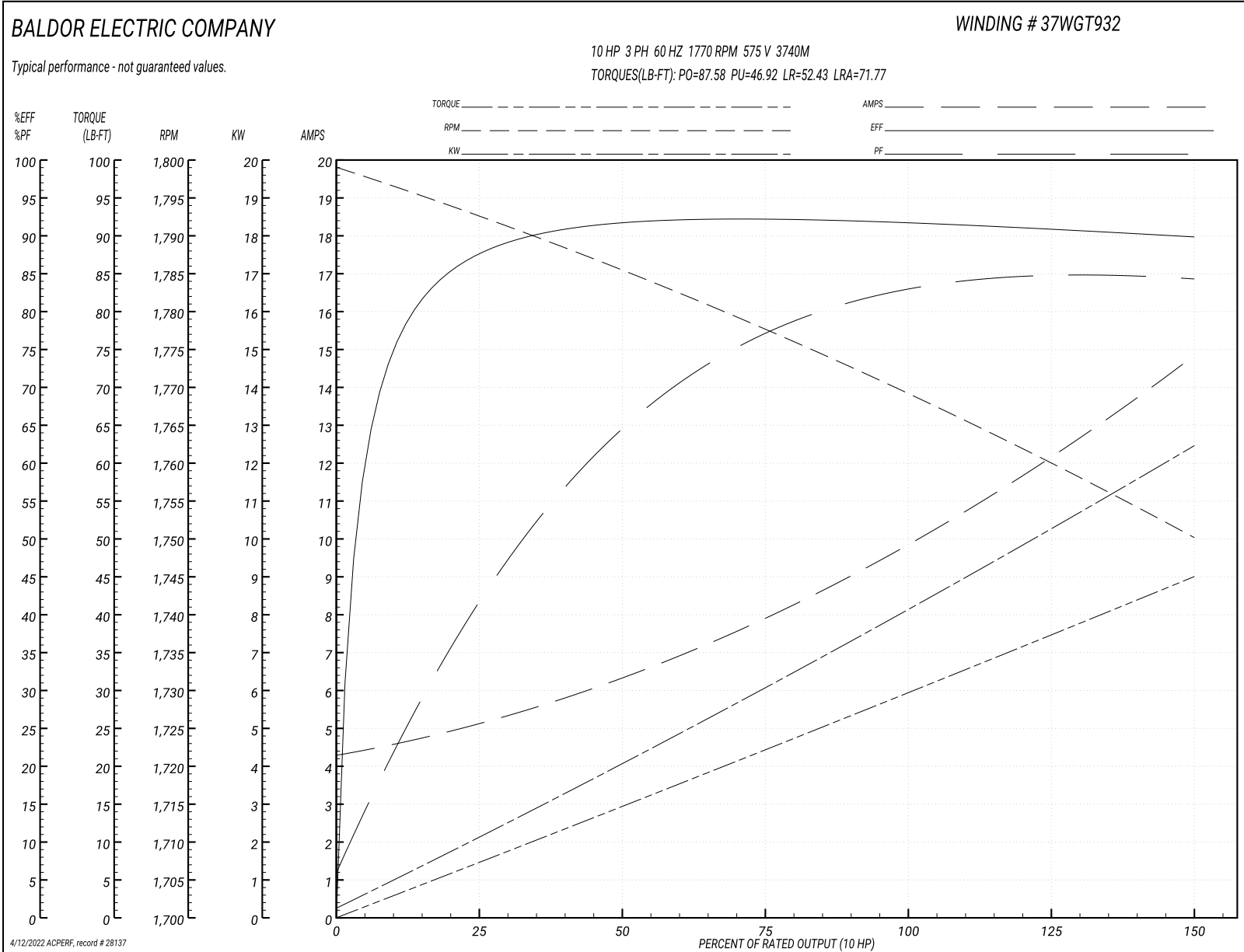
Typical performance - not guaranteed values

Winding: 37WGT932-R003		Type: 3740M		Enclosure: OPSB	
Nameplate Data			575 V, 60 Hz: Single Voltage Motor		
Rated Output (HP)	10	Full Load Torque	29.68 LB-FT		
Volts	575	Start Configuration	direct on line		
Full Load Amps	10	Breakdown Torque	87.58 LB-FT		
R.P.M.	1770	Pull-up Torque	46.92 LB-FT		
Hz	60 Phase	3	Locked-rotor Torque	52.43 LB-FT	
NEMA Design Code	B KVA Code	H	Starting Current	71.77 A	
Service Factor (S.F.)	1.15	No-load Current	4.43 A		
NEMA Nom. Eff.	91.7	Power Factor	82	Line-line Res. @ 25°C	1.71 Ω
Rating - Duty	40C AMB-CONT		Temp. Rise @ Rated Load	34°C	
S.F. Amps			Temp. Rise @ S.F. Load	41°C	
			Locked-rotor Power Factor	37.7	
			Rotor inertia	0.984 LB-FT ²	

Load Characteristics 575 V, 60 Hz, 10 HP

% of Rated Load	25	50	75	100	125	150	S.F.
Power Factor	43	66	77	82	85	85	84
Efficiency	87	91.7	92.2	91.7	90.9	89.8	91.2
Speed	1793	1785	1777	1770	1760	1750	1763
Line amperes	4.94	6.26	7.96	10	12.18	14.77	11.3

Performance Graph at 575V, 60Hz, 10.0HP Typical performance - Not guaranteed values



AC Induction Motor Performance Data

Record # 30180

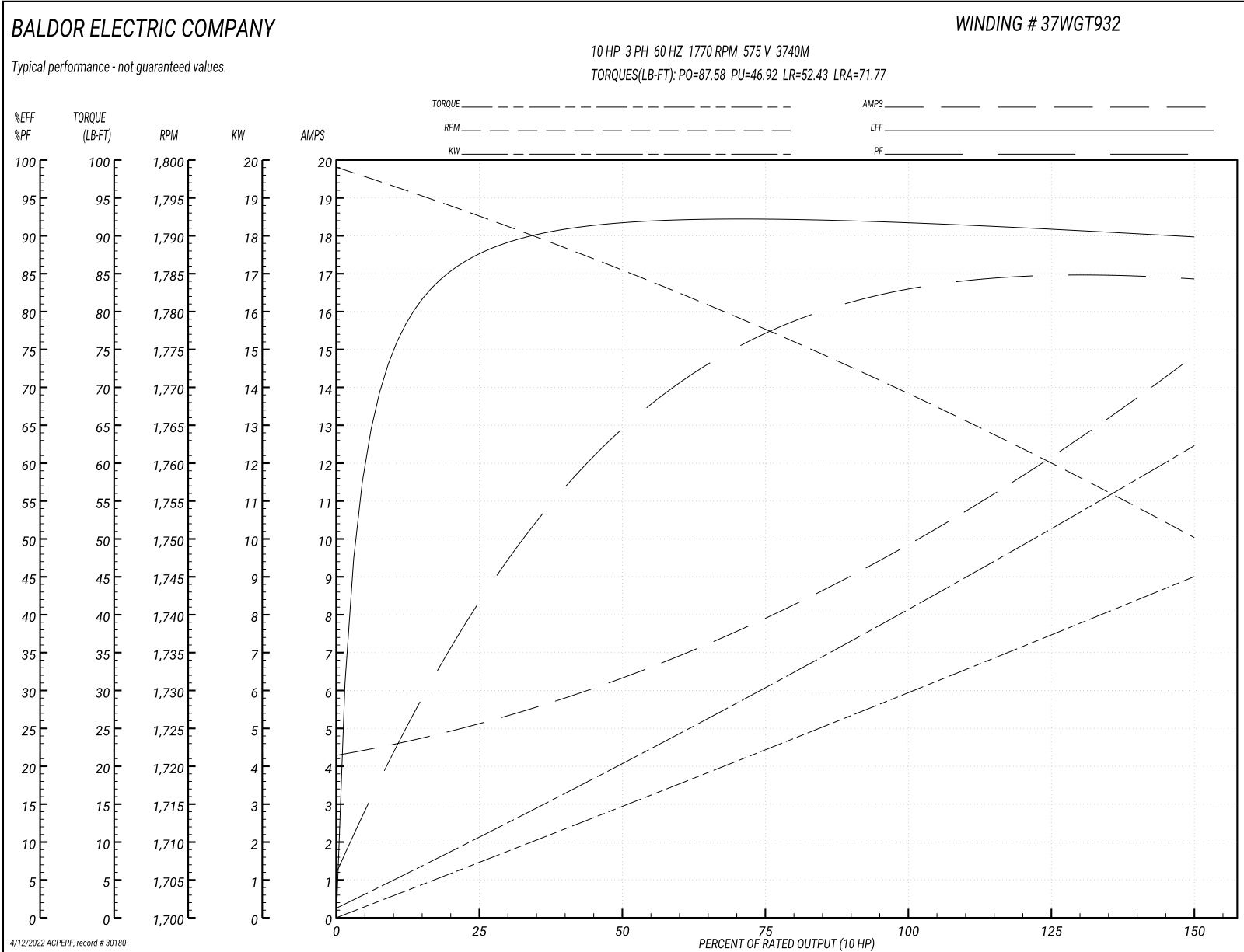
Typical performance - not guaranteed values

Winding: 37WGT932-R001		Type: 3740M	Enclosure: OPSB
Nameplate Data		575 V, 60 Hz: Single Voltage Motor	
Rated Output (HP)	10	Full Load Torque	29.68 LB-FT
Volts	575	Start Configuration	direct on line
Full Load Amps	10	Breakdown Torque	87.58 LB-FT
R.P.M.	1770	Pull-up Torque	46.92 LB-FT
Hz	60 Phase	Locked-rotor Torque	52.43 LB-FT
NEMA Design Code	B KVA Code	Starting Current	71.77 A
Service Factor (S.F.)	1.15	No-load Current	4.43 A
NEMA Nom. Eff.	91.7 Power Factor	Line-line Res. @ 25°C	1.71 Ω
Rating - Duty	40C AMB-CONT	Temp. Rise @ Rated Load	34°C
S.F. Amps		Temp. Rise @ S.F. Load	41°C
		Locked-rotor Power Factor	37.7
		Rotor inertia	0.984 LB-FT ²

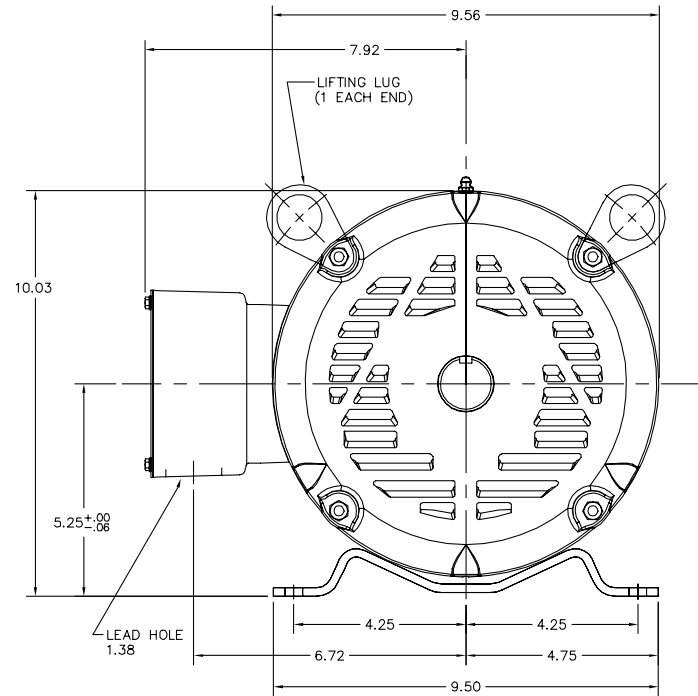
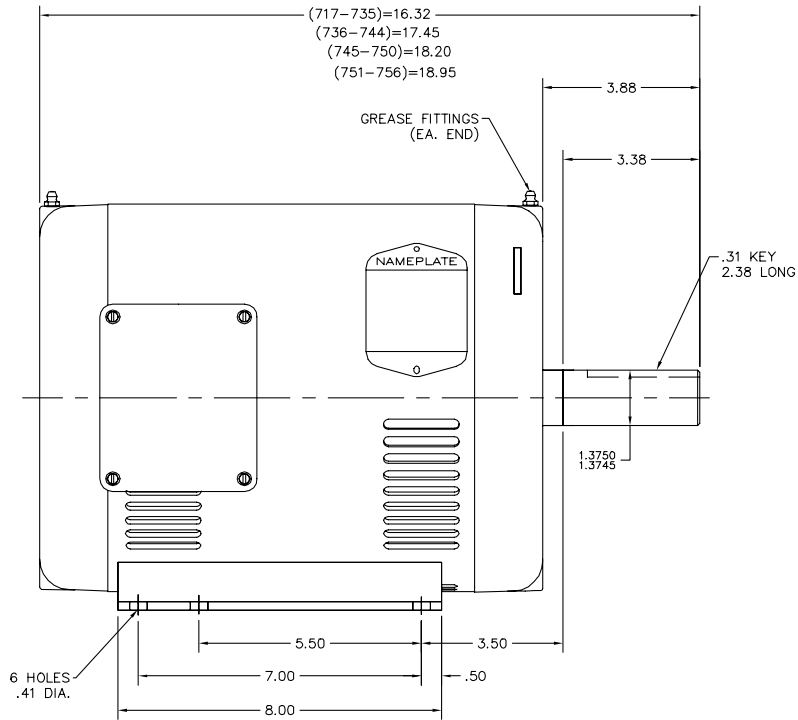
Load Characteristics 575 V, 60 Hz, 10 HP

% of Rated Load	25	50	75	100	125	150	S.F.
Power Factor	43	66	77	82	85	85	84
Efficiency	87	91.7	92.2	91.7	90.9	89.8	91.2
Speed	1793	1785	1777	1770	1760	1750	1763
Line amperes	4.94	6.26	7.96	10	12.18	14.77	11.3

Performance Graph at 575V, 60Hz, 10.0HP Typical performance - Not guaranteed values



37LYF614



37LYF614

CUSTOMER IS RESPONSIBLE FOR DETERMINING THAT BALDOR'S PRODUCT WILL PERFORM SUITABLY IN THE INTENDED APPLICATION.

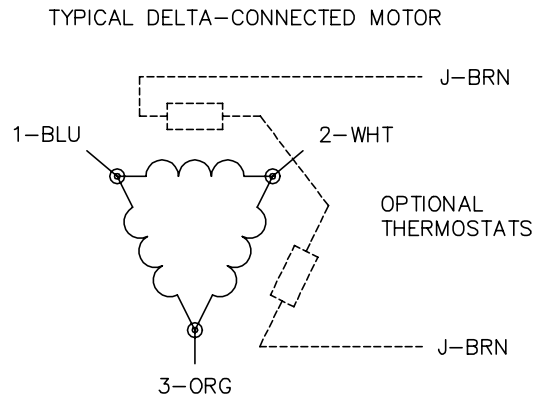
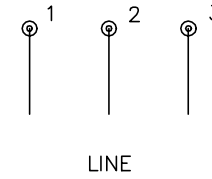
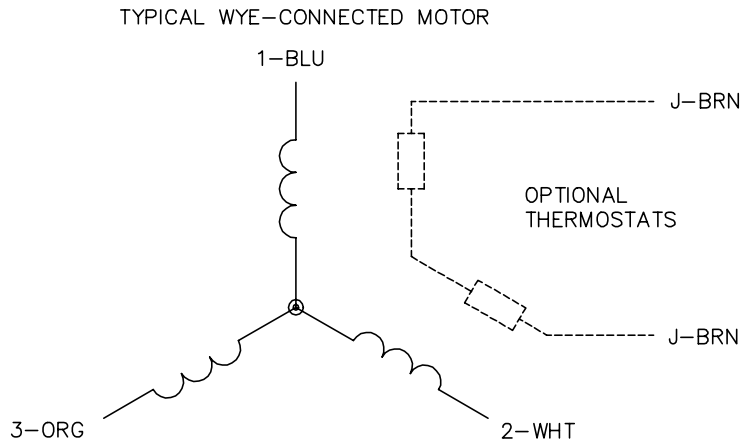
REV. DESC: REPLACE ENDPLATES		
REV. LTR: H	VERSION: 03	TDR: 000001018975
FILE: \AAA\00018\745	REVISED: 09:54:18 03/07/2017	BY: USZAHAR
MTL: -		

BALDOR

STD HORZ 213-5T OPSB 37M (SUPER-E)

SH 1 of 1

CD0006



NOTES:

1. THREE LEAD MOTOR MAY BE EITHER WYE CONNECTED OR DELTA CONNECTED.
2. INTERCHANGE ANY TWO LINE LEADS TO REVERSE ROTATION.
3. OPTIONAL THERMOSTATS ARE PROVIDED WHEN SPECIFIED.
4. ACTUAL NUMBER OF INTERNAL PARALLEL CIRCUITS MAY VARY.
5. LEAD COLORS ARE OPTIONAL. LEADS MUST BE NUMBERED AS SHOWN.

CD0006

REV. DESC: ADD CLASS CONN00000007		
REV. LTR: E	VERSION: 01	TDR: 000001099922
FILE: \AAA\00005\141	REVISED: 10:24:49 02/19/2019	BY: ENBRIRO
MTL: -	© □	

BALDOR - RELIANCE®

3PH, SV, 3 LEADS, WYE OR DELTA CONNECTED

SH 1 of 1