

BALDOR® • RELIANCE 

Product Information Packet

EM3614T-G

2HP,1175RPM,3PH,60HZ,184T,3644M,TEFC,F1

Part Detail							
Revision:	L	Status:	PRD/A	Change #:		Proprietary:	No
Type:	AC	Elec. Spec:	36WGS917	CD Diagram:	CD0005	Mfg Plant:	
Mech. Spec:	36M524	Layout:	36LYM524	Poles:	06	Created Date:	06-04-2012
Base:	RG	Eff. Date:	02-21-2022	Leads:	9#16		

Specs			
Catalog Number:	EM3614T-G	Heater Indicator:	No Heater
Enclosure:	TEFC	Insulation Class:	H
Frame:	184T	Inverter Code:	Inverter Ready
Frame Material:	Steel	KVA Code:	M
Output @ Frequency:	2.000 HP @ 60 HZ	Lifting Lugs:	No Lifting Lugs
Synchronous Speed @ Frequency:	1200 RPM @ 60 HZ	Locked Bearing Indicator:	Locked Bearing
Voltage @ Frequency:	460.0 V @ 60 HZ	Motor Lead Quantity/Wire Size:	9 @ 16 AWG
	230.0 V @ 60 HZ	Motor Lead Exit:	Ko Box
XP Class and Group:	None	Motor Lead Termination:	Flying Leads
XP Division:	Not Applicable	Motor Type:	3644M
Agency Approvals:	UR	Mounting Arrangement:	F1
	CSA EEV	Power Factor:	60
	CSA	Product Family:	General Purpose
Auxillary Box:	No Auxillary Box	Pulley End Bearing Type:	Ball
Auxillary Box Lead Termination:	None	Pulley Face Code:	Standard
Base Indicator:	Rigid	Pulley Shaft Indicator:	Standard
Bearing Grease Type:	Polyrex EM (-20F +300F)	Rodent Screen:	None
Blower:	None	Shaft Extension Location:	Pulley End

Current @ Voltage:	3.500 A @ 460.0 V	Shaft Ground Indicator:	Shaft Grounding
	7.000 A @ 208.0 V	Shaft Rotation:	Reversible
	7.000 A @ 230.0 V	Shaft Slinger Indicator:	No Slinger
Design Code:	A	Speed Code:	Single Speed
Drip Cover:	No Drip Cover	Motor Standards:	NEMA
Duty Rating:	CONT	Starting Method:	Direct on line
Electrically Isolated Bearing:	Not Electrically Isolated	Thermal Device - Bearing:	None
Feedback Device:	NO FEEDBACK	Thermal Device - Winding:	None
Front Face Code:	Standard	Vibration Sensor Indicator:	No Vibration Sensor
Front Shaft Indicator:	None	Winding Thermal 1:	None
		Winding Thermal 2:	None

Nameplate NP3441LUA										
CAT.NO.	EM3614T-G									
SPEC	36M524S917G1									
HP	2									
VOLTS	230/460									
AMPS	7/3.5									
RPM	1175									
FRAME	184T				HZ	60			PH	3
SF	1.15		CODE	M	DES	A		CLASS	H	
NEMA NOM. EFF	88.5		PF	60						
RATING	40C AMB-CONT									
CC	010A				USABLE AT 208V					7
ENCL	TEFC		SER							
DE	6206			ODE	6205					
VPWM INVERTER READY	SFA 7.6/3.8									
CT6-60H(10:1)VT3-60H(20:1	50Hz 2HP 190/380V 7.8/3.9A									
										SF1.0

Parts List		
Part Number	Description	Quantity
SA246181	SA 36M524S917G1	1.000 EA
RA233066	RA 36M524S917G1	1.000 EA
36FN3000B01	EXFN, PLASTIC, 6.00 OD, .912 ID	1.000 EA
36CB3004	36 CB CASTING W/1.09 DIA LEAD HOLE @ 6:0	1.000 EA
36GS1000SP	GASKET-CONDUIT BOX, .06 THICK #SV-330 LE	1.000 EA
51XB1016A08	10-16X 1/2HXWSSLD SERTYB	2.000 EA
11XW1032G06	10-32 X .38, TAPTITE II, HEX WSHR SLTD U	1.000 EA
36EP3104A01	FREP MACH ASSEMBLY FOR ROUTING	1.000 EA
HW4500A01	1641B(ALEMITE)400 UNIV, GREASE FITT	1.000 EA
HW5100A05	WVY WSHR F/205 & 304 BRGS	1.000 EA
36EP3100A56	ENDPLATE, MACH	1.000 EA
10XN2520A24	1/4-20X 1 1/2 HEX HD X	2.000 EA
HW1001A25	LOCKWASHER 1/4, ZINC PLT .493 OD, .255 I	2.000 EA
HW4500A01	1641B(ALEMITE)400 UNIV, GREASE FITT	1.000 EA
XY2520A12	1/4-20 HEX NUT, DIRECTIONAL SERRATIONS	4.000 EA
36FH4009A102	IEC FH GREASER PRIMED	1.000 EA
51XW1032A06	10-32 X .38, TAPTITE II, HEX WSHR SLTD S	3.000 EA
36CB4516	750LIPPED CB LID - GALVANNEAL	1.000 EA
37GS1001	GASKET, CONDUIT BOX LID, .06 THICK LEXID	1.000 EA
51XW0832A07	8-32 X .44, TAPTITE II, HEX WSHR SLTD SE	4.000 EA
HW2501E16	KEY, 1/4 SQ X 1.750	1.000 EA
HA7000A02	KEY RETAINER RING, 1 1/8 DIA, 1 3/8 DIA	1.000 EA
85XU0407S04	4X1/4 U DRIVE PIN STAINLESS	2.000 EA
LB1459	AEGIS SGR LABEL "AEGISLBL-100"	1.000 EA

Parts List (continued)		
Part Number	Description	Quantity
HW3200A01	3/8-16X3/4 I-BLT WELDED F/S	1.000 EA
MJ1000A02	GREASE, MOBIL POLYREX EM - 124047	0.050 LB
51XB1214A16	12-14X1.00 HXWSSLD SERTYB	1.000 EA
MG1000Y03	MUNSELL 2.53Y 6.70/ 4.60, GLOSS 20,	0.022 GA
LB1115N	LABEL,LIFTING DEVICE (ON ROLLS)	1.000 EA
HA3101A28	THRUBOLT 1/4-20 X 12.500 OHIO ROD	4.000 EA
LC0005E01	CONN.DIA./WARNING LABEL (LC0005/LB1119N)	1.000 EA
NP3441LUA	ALUM SUPER-E VPWM INV READY UL CSA-EEV C	1.000 EA
G0PA1000	PKG GRP, PRINT PK1026A06	1.000 EA
MN416A01	TAG-INSTAL-MAINT no wire (2100/bx) 4/22	1.000 EA

AC Induction Motor Performance Data

Record # 53182

Typical performance - not guaranteed values

Winding: 36WGS917-R004		Type: 3644M		Enclosure: TEFC		
Nameplate Data			460 V, 60 Hz: High Voltage Connection			
Rated Output (HP)	2	Full Load Torque	8.91 LB-FT			
Volts	230/460	Start Configuration	direct on line			
Full Load Amps	7/3.5	Breakdown Torque	40.2 LB-FT			
R.P.M.	1175	Pull-up Torque	21.6 LB-FT			
Hz	60 Phase	3	Locked-rotor Torque	28.2 LB-FT		
NEMA Design Code	A KVA Code	M	Starting Current	27.5 A		
Service Factor (S.F.)	1.15		No-load Current	2.45 A		
NEMA Nom. Eff.	88.5 Power Factor	60	Line-line Res. @ 25°C	4.2188 Ω		
Rating - Duty	40C AMB-CONT		Temp. Rise @ Rated Load	34°C		
S.F. Amps			Temp. Rise @ S.F. Load	39°C		

Load Characteristics 460 V, 60 Hz, 2 HP

% of Rated Load	25	50	75	100	125	150	S.F.
Power Factor	24	40	52	60	66	70	64
Efficiency	76.4	85.3	88	88.9	88.8	88.4	88.8
Speed	1196.9	1191.4	1185.5	1179.4	1172.7	1165.5	1175
Line amperes	2.53	2.76	3.09	3.49	3.97	4.52	3.78

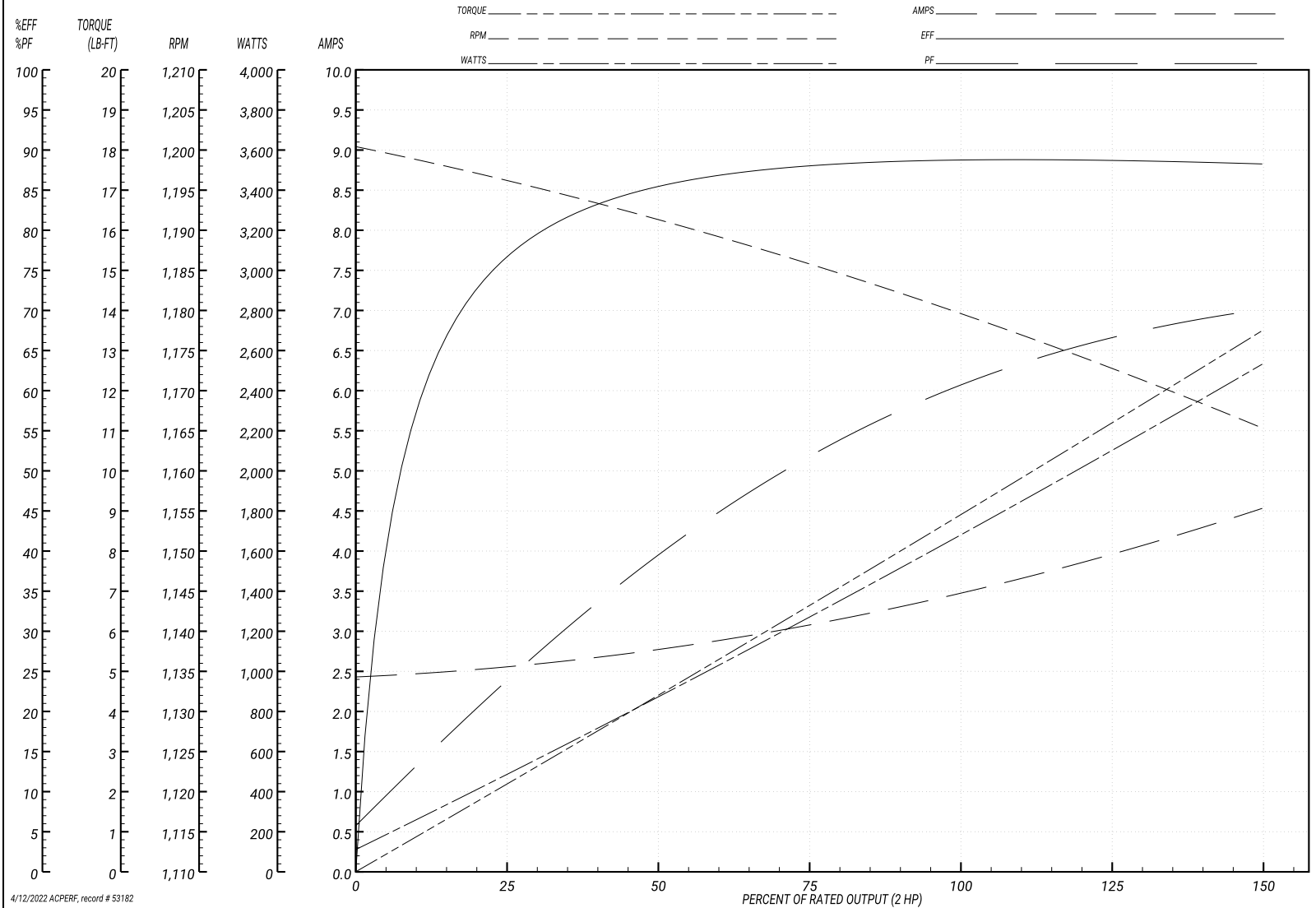
Performance Graph at 460V, 60Hz, 2.0HP Typical performance - Not guaranteed values

BALDOR ELECTRIC COMPANY

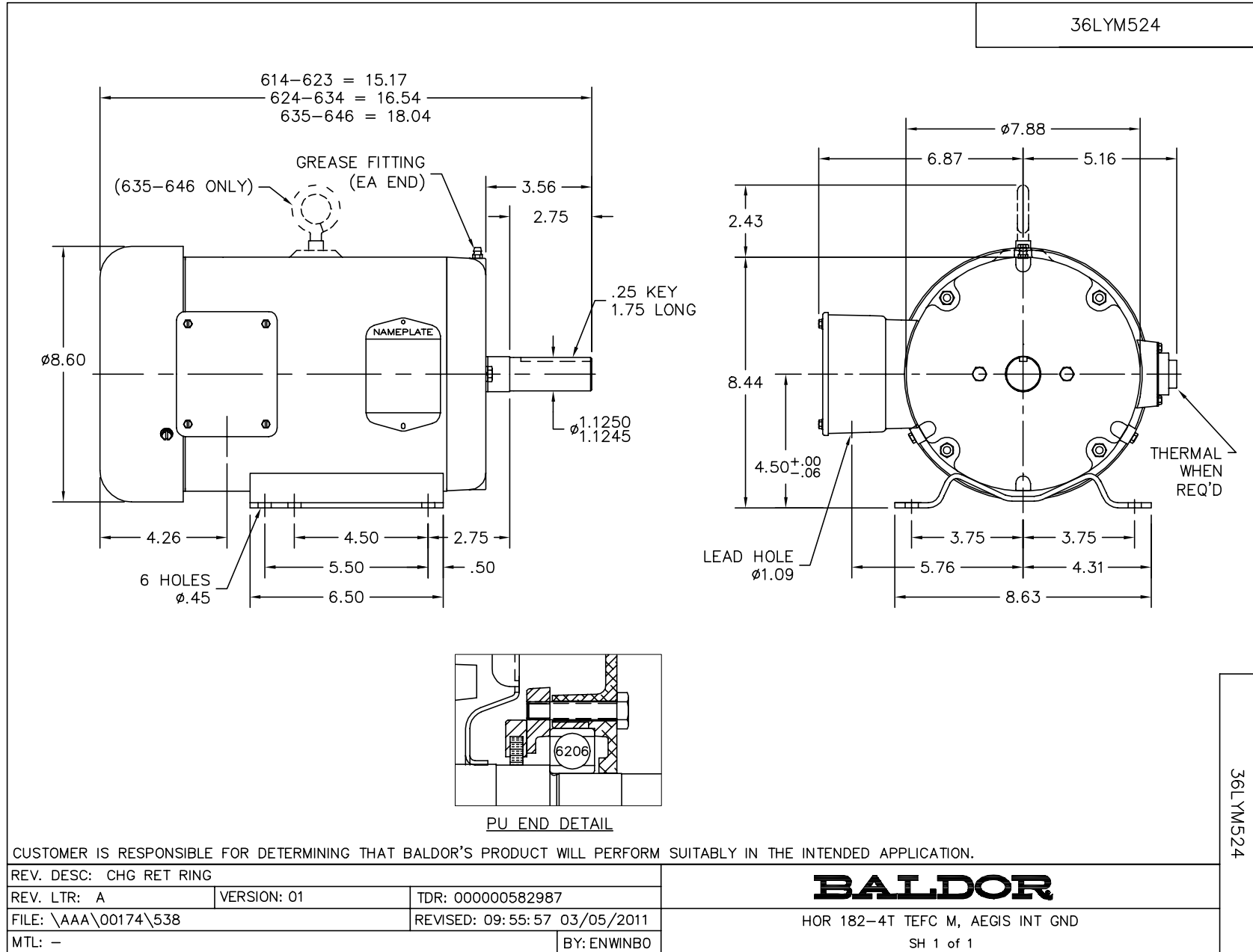
WINDING # 36WGS917

Typical performance - not guaranteed values.

2 HP 3 PH 60 HZ 1175 RPM 460 V 3644M
 TORQUES(LB-FT): PO=40.2 PU=21.6 LR=28.2 LRA=27.5



4/12/2022 ACPERF, record # 53182



CD0005

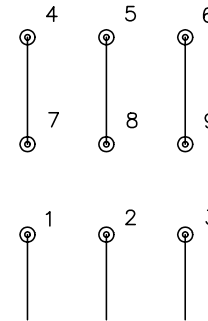


LOW VOLTAGE
(2Y)



LINE

HIGH VOLTAGE
(1Y)



LINE

NOTES:

1. INTERCHANGE ANY TWO LINE LEADS TO REVERSE ROTATION.
2. OPTIONAL THERMOSTATS ARE PROVIDED WHEN SPECIFIED.
3. ACTUAL NUMBER OF INTERNAL PARALLEL CIRCUITS MAY BE A MULTIPLE OF THOSE SHOWN ABOVE.
4. LEAD COLORS ARE OPTIONAL. LEADS MUST ALWAYS BE NUMBERED AS SHOWN.

REV. DESC: REVISE TO SHOW OPTIONAL COLORS

REV. LTR: E BY: JLP

REVISED: 01/19/99 10:15

TDR: 0171435

900000

FILE: AAA00005140

MDL: -

MTL: -

BALDOR ELECTRIC Co.

3PH, DV, 9 LEADS

CD0005