

BALDOR® • RELIANCE 

Product Information Packet

EM3660T-BG

3HP,3470RPM,3PH,60HZ,182T,TEFC,F1

Part Detail							
Revision:	-	Status:	PRD/A	Change #:		Proprietary:	No
Type:	AC	Elec. Spec:	06WGY471	CD Diagram:	CD0005	Mfg Plant:	
Mech. Spec:		Layout:	06LYK800	Poles:	02	Created Date:	04-11-2019
Base:		Eff. Date:	04-16-2019	Leads:	9#16		

Specs			
Catalog Number:	EM3660T-BG	Insulation Class:	H
Enclosure:	TEFC	Inverter Code:	Inverter Ready
Frame:	182T	IP Rating:	NONE
Frame Material:	Iron	KVA Code:	K
Output @ Frequency:	3.000 HP @ 60 HZ	Lifting Lugs:	Standard Lifting Lugs
Synchronous Speed @ Frequency:	3600 RPM @ 60 HZ	Locked Bearing Indicator:	Locked Bearing
Voltage @ Frequency:	460.0 V @ 60 HZ	Motor Lead Quantity/Wire Size:	9 @ 16 AWG
	230.0 V @ 60 HZ	Motor Lead Exit:	Ko Box
XP Class and Group:	None	Motor Lead Termination:	Flying Leads
XP Division:	Not Applicable	Motor Type:	0618M
Agency Approvals:	CSA	Mounting Arrangement:	F1
	CSA EEV	Power Factor:	89
	UR	Product Family:	General Purpose
Auxillary Box:	No Auxillary Box	Pulley End Bearing Type:	Ball
Auxillary Box Lead Termination:	None	Pulley Face Code:	Standard
Base Indicator:	Rigid	Pulley Shaft Indicator:	Standard
Bearing Grease Type:	Polyrex EM (-20F +300F)	Rodent Screen:	None
Blower:	None	RoHS Status:	ROHS COMPLIANT

Current @ Voltage:	3.800 A @ 460.0 V	Shaft Extension Location:	Pulley End
	7.600 A @ 230.0 V	Shaft Ground Indicator:	Shaft Grounding
	8.200 A @ 208.0 V	Shaft Rotation:	Reversible
Design Code:	B	Shaft Slinger Indicator:	No Slinger
Drip Cover:	No Drip Cover	Speed Code:	Single Speed
Duty Rating:	CONT	Motor Standards:	NEMA
Electrically Isolated Bearing:	Not Electrically Isolated	Starting Method:	Direct on line
Feedback Device:	NO FEEDBACK	Thermal Device - Bearing:	None
Front Face Code:	Standard	Thermal Device - Winding:	None
Front Shaft Indicator:	None	Vibration Sensor Indicator:	No Vibration Sensor
Heater Indicator:	No Heater	Winding Thermal 1:	None
		Winding Thermal 2:	None

Nameplate NP1259L										
CAT.NO.	EM3660T-BG									
SPEC.	06-0000-0087									
HP	3									
VOLTS	230/460									
AMP	7.6/3.8									
RPM	3470									
FRAME	182T				HZ	60			PH	3
SER.F.	1.15		CODE	K	DES	B		CL	H	
NEMA-NOM-EFF	86.5		PF	89						
RATING	40C AMB-CONT									
CC	010A				USABLE AT 208V			8.2		
DE	6206				ODE	6205				
ENCL	TEFC		SN							

Parts List		
Part Number	Description	Quantity
SA368357	SA 06-0000-0087	1.000 EA
RA357863	RA 06-0000-0087	1.000 EA
LB1115N	LABEL,LIFTING DEVICE (ON ROLLS)	1.000 EA
LC0005E01	CONN.DIA./WARNING LABEL (LC0005/LB1119N)	1.000 EA
NP1259L	ALUM SUPER-E UL CSA-EEV CC NEMA PREMIUM	1.000 EA
85XU0407S04	4X1/4 U DRIVE PIN STAINLESS	2.000 EA
MN416A01	TAG-INSTAL-MAINT no wire (2100/bx) 4/22	1.000 EA
HW3201A05	3/8-16 EYEBOLT	1.000 EA
36FH4009A03SP	IEC FH , W/ PRIMER	1.000 EA
51XW1032A06	10-32 X .38, TAPTITE II, HEX WSHR SLTD S	3.000 EA
34FN3002A02	EXTERNAL FAN, PLASTIC, .905/.907 HUB W/	1.000 EA
51XB0818A12	8-18X3/4 HXWSSLD SERTYB	1.000 EA
MJ1000A02	GREASE, MOBIL POLYREX EM - 124047	0.050 LB
HA3101A53	THRUBOLT 1/4-20 X 10.50	4.000 EA
LB1508	LABEL "SHAFT GROUNDING BRUSH" 1.50 X .81	1.000 EA
XY2520A12	1/4-20 HEX NUT, DIRECTIONAL SERRATIONS	4.000 EA
36EP1101A01	FR ENDPLATE, MACH	1.000 EA
HW5100A05	WVY WSHR F/205 & 304 BRGS	1.000 EA
HW4500A01	1641B(ALEMITE)400 UNIV, GREASE FITT	1.000 EA
36EP1100A118	PU EP W/206 LOCKED BRG & TGSLV	1.000 EA
10XN2520A20	1/4-20X 1 1/4 HEX HD X	4.000 EA
HW1001A25	LOCKWASHER 1/4, ZINC PLT .493 OD, .255 I	4.000 EA
HW4500A01	1641B(ALEMITE)400 UNIV, GREASE FITT	1.000 EA
06CB3000	BALDOR CONDUIT BOX CAST	1.000 EA

Parts List (continued)		
Part Number	Description	Quantity
06GS1000	GASKET,CONDUIT BOX	1.000 EA
51XW2520A12	SCREW, HEX SER SLT HD, ZN, 1/4-20 X .75	2.000 EA
11XW1032G06	10-32 X .38, TAPTITE II, HEX WSHR SLTD U	1.000 EA
HW3001B02	BRASS CUP WASHER W/GROUND SYMBOL TAB,	1.000 EA
06CB3500	BALDOR CONDUIT BOX LID	1.000 EA
06GS1001	BALDOR CONDUIT BOX GASKET	1.000 EA
51XW2520A12	.25-20 X .75, TAPTITE II, HEX WSHR SLTD	2.000 EA
MG1000Y03	MUNSELL 2.53Y 6.70/ 4.60, GLOSS 20,	0.022 GA
36PA1001	PKG GRP, PRINT PK1017A06	1.000 EA
HW2501E17	.250 SQUARE X 1.875 LONG LOW CARBON STEE	1.000 EA
HA7000A02	KEY RETAINER RING, 1 1/8 DIA, 1 3/8 DIA	1.000 EA

AC Induction Motor Performance Data

Record # 75470

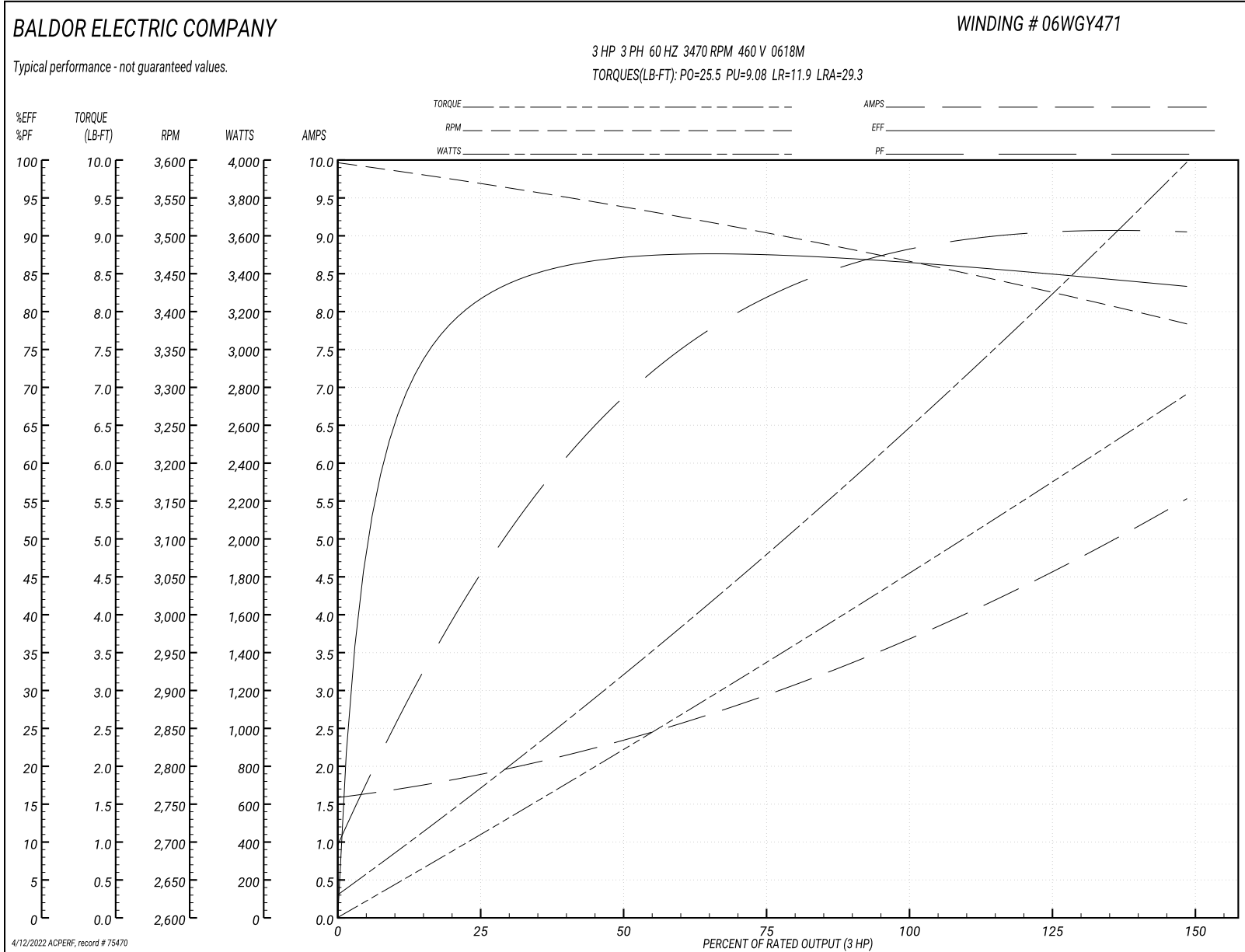
Typical performance - not guaranteed values

Winding: 06WGY471-R006		Type: 0618M	Enclosure: TEFC
Nameplate Data		460 V, 60 Hz: High Voltage Connection	
Rated Output (HP)	3	Full Load Torque	4.51 LB-FT
Volts	230/460	Start Configuration	direct on line
Full Load Amps	7.6/3.8	Breakdown Torque	25.5 LB-FT
R.P.M.	3470	Pull-up Torque	9.08 LB-FT
Hz	60 Phase	Locked-rotor Torque	11.9 LB-FT
NEMA Design Code	B KVA Code	Starting Current	29.3 A
Service Factor (S.F.)	1.15	No-load Current	1.64 A
NEMA Nom. Eff.	86.5 Power Factor	Line-line Res. @ 25°C	6.24 Ω
Rating - Duty	40C AMB-CONT	Temp. Rise @ Rated Load	45°C
S.F. Amps		Temp. Rise @ S.F. Load	56°C
		Locked-rotor Power Factor	59.2
		Rotor inertia	0.0795 LB-FT ²

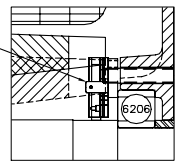
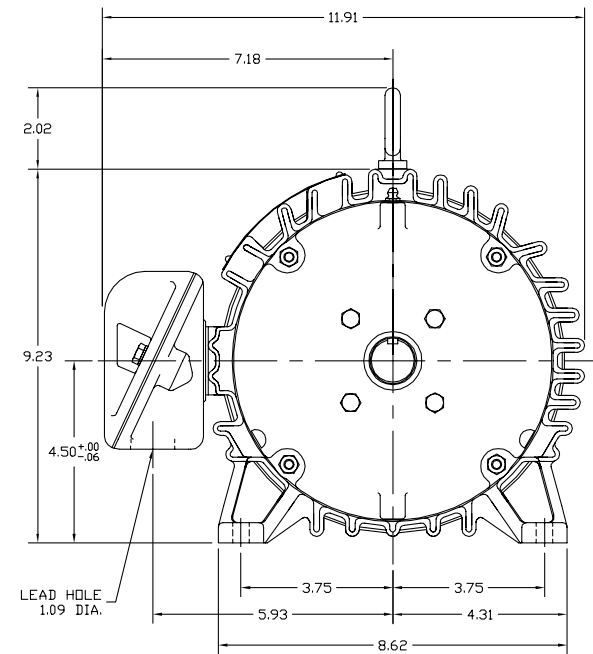
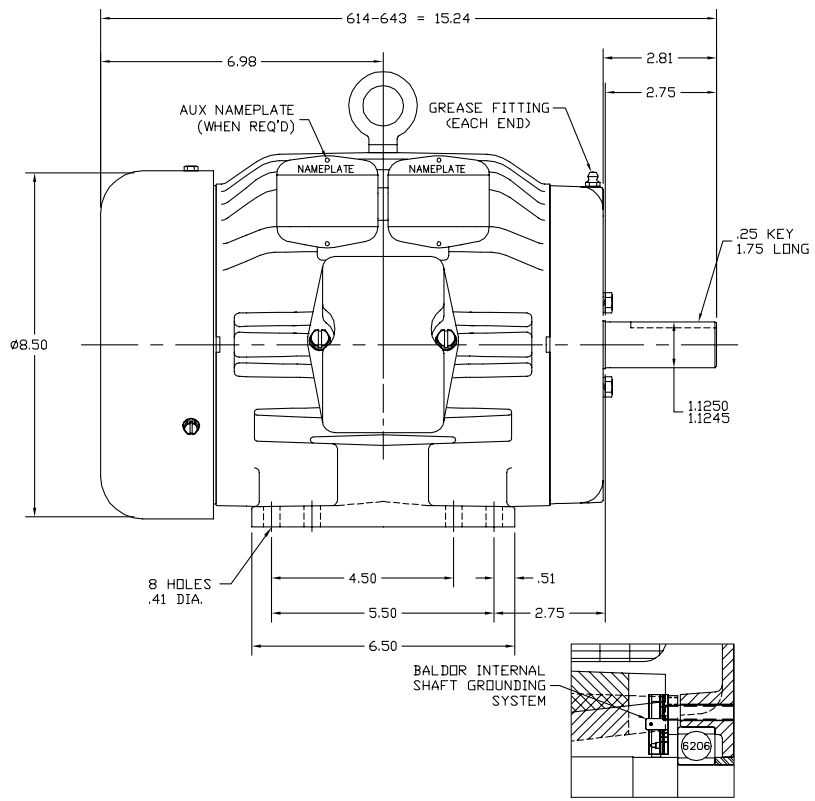
Load Characteristics 460 V, 60 Hz, 3 HP

% of Rated Load	25	50	75	100	125	150	S.F.
Power Factor	47	70	81	87	90	91	89
Efficiency	81.1	86.6	87.4	86.6	85.2	83.1	85.8
Speed	3568	3538	3505	3468	3430	3382	3445
Line amperes	1.82	2.29	2.94	3.71	4.53	5.5	4.2

Performance Graph at 460V, 60Hz, 3.0HP Typical performance - Not guaranteed values



06LYK800



CUSTOMER IS RESPONSIBLE FOR DETERMINING THAT BALDOR'S PRODUCT WILL PERFORM SUITABLY IN THE INTENDED APPLICATION.

REV. DESC: REMOVE 45 DEGREE DIMENSIONS IN RH VIEW		
REV. LTR: B	VERSION: 02	TDR: 000001104765
FILE: \AAA\00224\841	REVISED: 10:13:49 04/10/2019	BY: ENJESMO
MTL: -		

BALDOR - RELIANCE[®]

HORZ 182-184T TEFC 306M W/BALDOR INT SHAFT GROUND

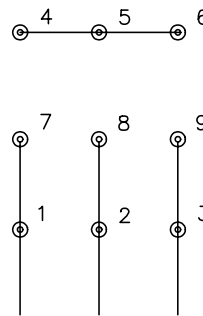
SH 1 of 1

06LYK800

CD0005

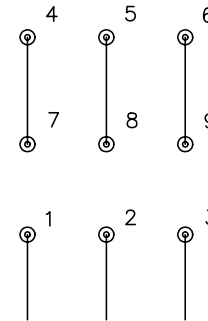


LOW VOLTAGE
(2Y)



LINE

HIGH VOLTAGE
(1Y)



LINE

NOTES:

1. INTERCHANGE ANY TWO LINE LEADS TO REVERSE ROTATION.
2. OPTIONAL THERMOSTATS ARE PROVIDED WHEN SPECIFIED.
3. ACTUAL NUMBER OF INTERNAL PARALLEL CIRCUITS MAY BE A MULTIPLE OF THOSE SHOWN ABOVE.
4. LEAD COLORS ARE OPTIONAL. LEADS MUST ALWAYS BE NUMBERED AS SHOWN.

REV. DESC: REVISE TO SHOW OPTIONAL COLORS			
REV. LTR: E	BY: JLP	REVISED: 01/19/99 10:15	TDR: 0171435
90000		FILE: AAA00005140	MDL: -
		MTL: -	

BALDOR ELECTRIC Co.

3PH, DV, 9 LEADS

CD0005

Marketing maintained PDF of MN416:

<http://www.baldor.com/support/Literature/Load.ashx/MN416?ManNumber=MN416>