

BALDOR® • RELIANCE 

Product Information Packet

EM3661T-5

32M 4P TEFC HOR 182T SUPER E

Part Detail							
Revision:	B	Status:	PRD/A	Change #:		Proprietary:	No
Type:	AC	Elec. Spec:	06WGX319	CD Diagram:	CD0006	Mfg Plant:	
Mech. Spec:	06C101	Layout:	06LYC101	Poles:	04	Created Date:	12-14-2018
Base:	RG	Eff. Date:	02-21-2022	Leads:	3#16		

Specs			
Catalog Number:	EM3661T-5	IP Rating:	NONE
Enclosure:	TEFC	KVA Code:	J
Frame:	182T	Lifting Lugs:	Standard Lifting Lugs
Frame Material:	Iron	Locked Bearing Indicator:	No Locked Bearing
Output @ Frequency:	3.000 HP @ 60 HZ	Motor Lead Quantity/Wire Size:	3 @ 16 AWG
Synchronous Speed @ Frequency:	1800 RPM @ 60 HZ	Motor Lead Exit:	Ko Box
Voltage @ Frequency:	575.0 V @ 60 HZ	Motor Lead Termination:	Flying Leads
XP Class and Group:	None	Motor Type:	0632M
XP Division:	Not Applicable	Mounting Arrangement:	F1
Agency Approvals:	CSA	Power Factor:	77
	CSA EEV	Product Family:	General Purpose
	UR	Pulley End Bearing Type:	Ball
Auxillary Box:	No Auxillary Box	Pulley Face Code:	Standard
Auxillary Box Lead Termination:	None	Pulley Shaft Indicator:	Standard
Base Indicator:	Rigid	Rodent Screen:	None
Bearing Grease Type:	Polyrex EM (-20F +300F)	RoHS Status:	ROHS COMPLIANT
Blower:	None	Shaft Extension Location:	Pulley End
Current @ Voltage:	3.300 A @ 575.0 V	Shaft Ground Indicator:	No Shaft Grounding

Design Code:	B	Shaft Rotation:	Reversible
Drip Cover:	No Drip Cover	Shaft Slinger Indicator:	No Slinger
Duty Rating:	CONT	Speed Code:	Single Speed
Electrically Isolated Bearing:	Not Electrically Isolated	Motor Standards:	NEMA
Feedback Device:	NO FEEDBACK	Starting Method:	Direct on line
Front Face Code:	Standard	Thermal Device - Bearing:	None
Front Shaft Indicator:	None	Thermal Device - Winding:	None
Heater Indicator:	No Heater	Vibration Sensor Indicator:	No Vibration Sensor
Insulation Class:	F	Winding Thermal 1:	None
Inverter Code:	Inverter Ready	Winding Thermal 2:	None

Nameplate NP3441L											
CAT.NO.	EM3661T-5										
SPEC.	06C101X319G1										
HP	3										
VOLTS	575										
AMP	3.3										
RPM	1755										
FRAME	182T			HZ	60				PH	3	
SER.F.	1.15			CODE	J		DES	B		CL	F
NEMA-NOM-EFF	89.5			PF	77						
RATING	40C AMB-CONT										
CC	010A						USABLE AT 208V				
DE	6206			ODE	6205						
ENCL	TEFC			SN							
VPWM INVERTER READY											
CT6-60H(10:1)VT3-60H(20:1)											
	SFA 3.5										

Parts List		
Part Number	Description	Quantity
SA364077	SA 06C101X319G1	1.000 EA
RA353387	RA 06C101X319G1	1.000 EA
36FN3000C01SP	EXFN, PLASTIC, 5.25 OD, .912 ID	1.000 EA
HW3201A05	3/8-16 EYEBOLT	1.000 EA
06CB3000	BALDOR CONDUIT BOX CAST	1.000 EA
06GS1000	GASKET, CONDUIT BOX	1.000 EA
51XW2520A12	SCREW, HEX SER SLT HD, ZN, 1/4-20 X .75	2.000 EA
11XW1032G06	10-32 X .38, TAPTITE II, HEX WSHR SLTD U	1.000 EA
HW3001B02	BRASS CUP WASHER W/GROUND SYMBOL TAB,	1.000 EA
36FE1101B47	FREP ASSEMBLY FOR ROUTING PURPOSES	1.000 EA
HW4500A01	1641B(ALEMITE)400 UNIV, GREASE FITT	1.000 EA
HW5100A05	WVY WSHR F/205 & 304 BRGS	1.000 EA
36PE1100A01	PUEP ASSEMBLY FOR ROUTING PURPOSES	1.000 EA
HW4500A01	1641B(ALEMITE)400 UNIV, GREASE FITT	1.000 EA
HA3101A34	THRUBOLT- 1/4-20 X 10.375	4.000 EA
XY2520A12	1/4-20 HEX NUT, DIRECTIONAL SERRATIONS	4.000 EA
51XB1214A16	12-14X1.00 HXWSSLD SERTYB	1.000 EA
36FH4009A03SP	IEC FH , W/ PRIMER	1.000 EA
51XW1032A06	10-32 X .38, TAPTITE II, HEX WSHR SLTD S	3.000 EA
06CB3500	BALDOR CONDUIT BOX LID	1.000 EA
06GS1001	BALDOR CONDUIT BOX GASKET	1.000 EA
51XW2520A12	.25-20 X .75, TAPTITE II, HEX WSHR SLTD	2.000 EA
HW2501E16	KEY, 1/4 SQ X 1.750	1.000 EA
HA7000A02	KEY RETAINER RING, 1 1/8 DIA, 1 3/8 DIA	1.000 EA

Parts List (continued)		
Part Number	Description	Quantity
85XU0407S04	4X1/4 U DRIVE PIN STAINLESS	2.000 EA
LB1115N	LABEL,LIFTING DEVICE (ON ROLLS)	1.000 EA
MJ1000A02	GREASE, MOBIL POLYREX EM - 124047	0.050 LB
MG1000Y03	MUNSELL 2.53Y 6.70/ 4.60, GLOSS 20,	0.026 GA
LB1119N	WARNING LABEL	1.000 EA
LC0006	CONNECTION LABEL	1.000 EA
NP3441L	ALUM SUPER-E VPWM INVERTER READY UL	1.000 EA
36PA1001	PKG GRP, PRINT PK1017A06	1.000 EA
MN416A01	TAG-INSTAL-MAINT no wire (2100/bx) 4/22	1.000 EA

Accessories		
Part Number	Description	Multiplier
36-1749	C FACE KIT	A8

AC Induction Motor Performance Data

Record # 75292

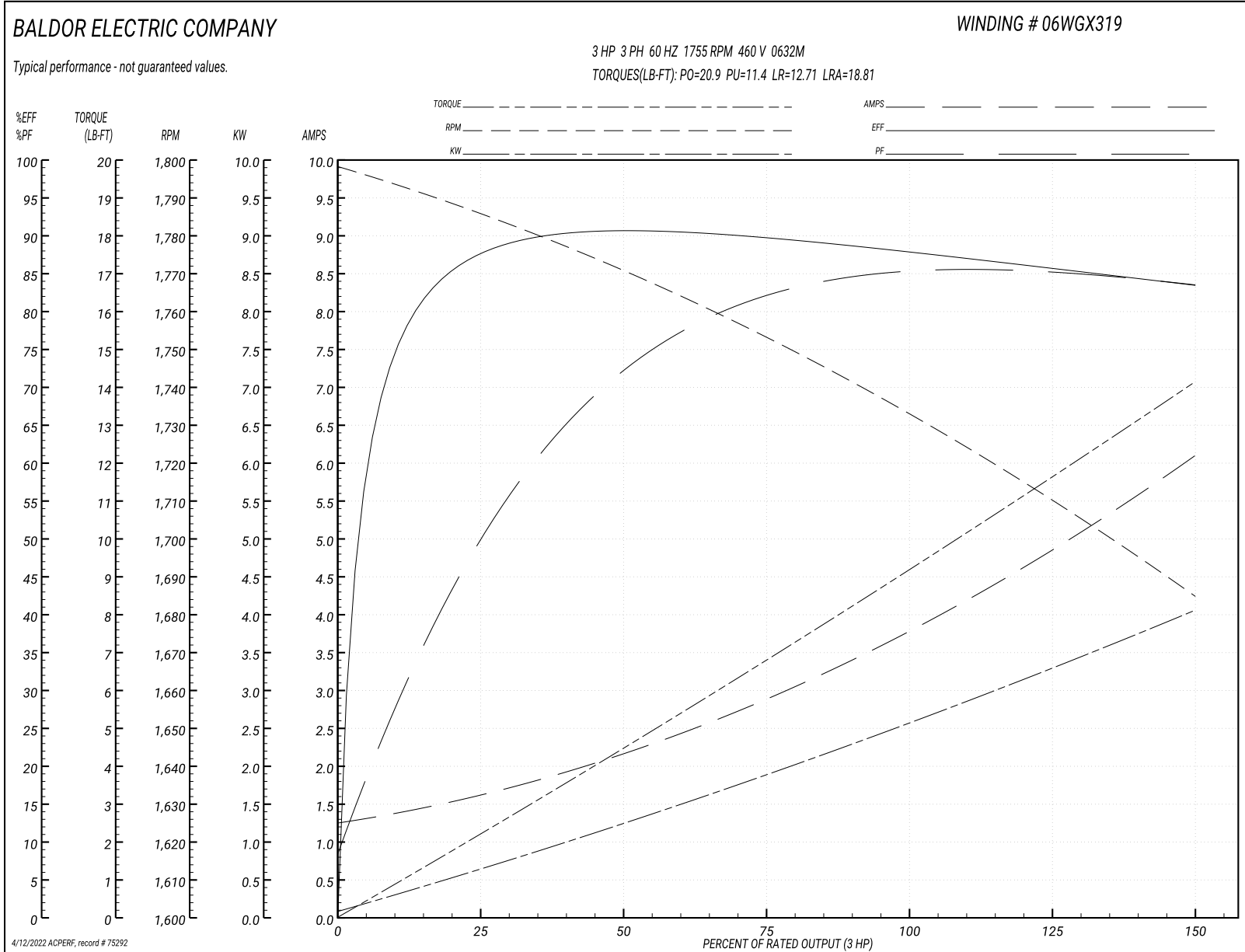
Typical performance - not guaranteed values

Winding: 06WGX319-R001		Type: 0632M	Enclosure: TEFC	
Nameplate Data			460 V, 60 Hz: Single Voltage Motor	
Rated Output (HP)	3	Full Load Torque	9.17 LB-FT	
Volts	575	Start Configuration	direct on line	
Full Load Amps	3.3	Breakdown Torque	20.9 LB-FT	
R.P.M.	1755	Pull-up Torque	11.4 LB-FT	
Hz	60 Phase	Locked-rotor Torque	12.71 LB-FT	
NEMA Design Code	B KVA Code	Starting Current	18.81 A	
Service Factor (S.F.)	1.15	No-load Current	1.29 A	
NEMA Nom. Eff.	89.5 Power Factor	Line-line Res. @ 25°C	6.2 Ω	
Rating - Duty	40C AMB-CONT	Temp. Rise @ Rated Load	41°C	
S.F. Amps		Temp. Rise @ S.F. Load	54°C	
		Locked-rotor Power Factor	41.1	
		Rotor inertia	0.298 LB-FT ²	

Load Characteristics 460 V, 60 Hz, 3 HP

% of Rated Load	25	50	75	100	125	150	S.F.
Power Factor	54	74	81	84	85	84	85
Efficiency	86.9	89.6	89.6	88.1	86.2	83.1	87
Speed	1785	1769	1753	1734	1711	1684	1720
Line amperes	1.57	2.17	2.94	3.81	4.83	6.1	4.42

Performance Graph at 460V, 60Hz, 3.0HP Typical performance - Not guaranteed values



AC Induction Motor Performance Data

Record # 84796

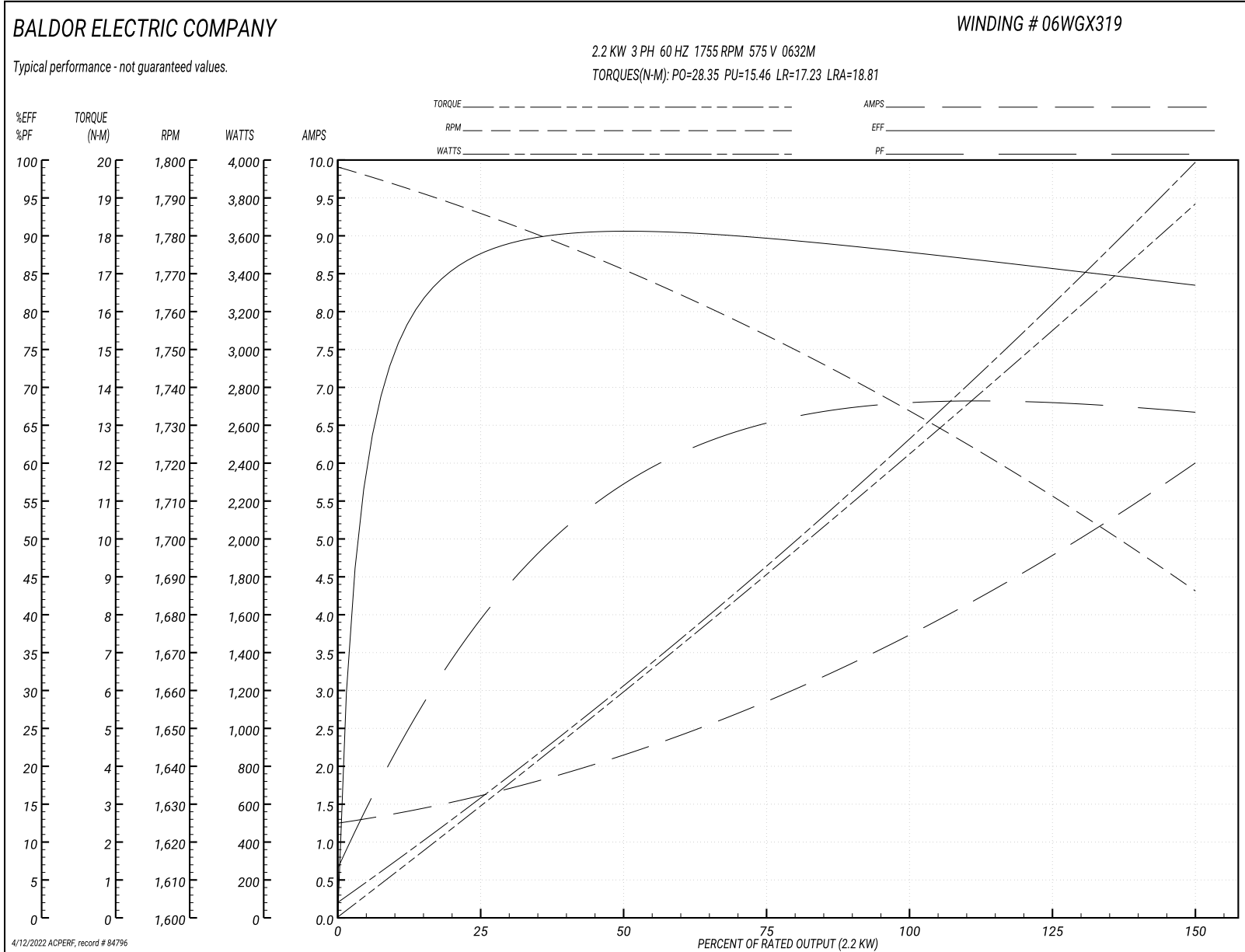
Typical performance - not guaranteed values

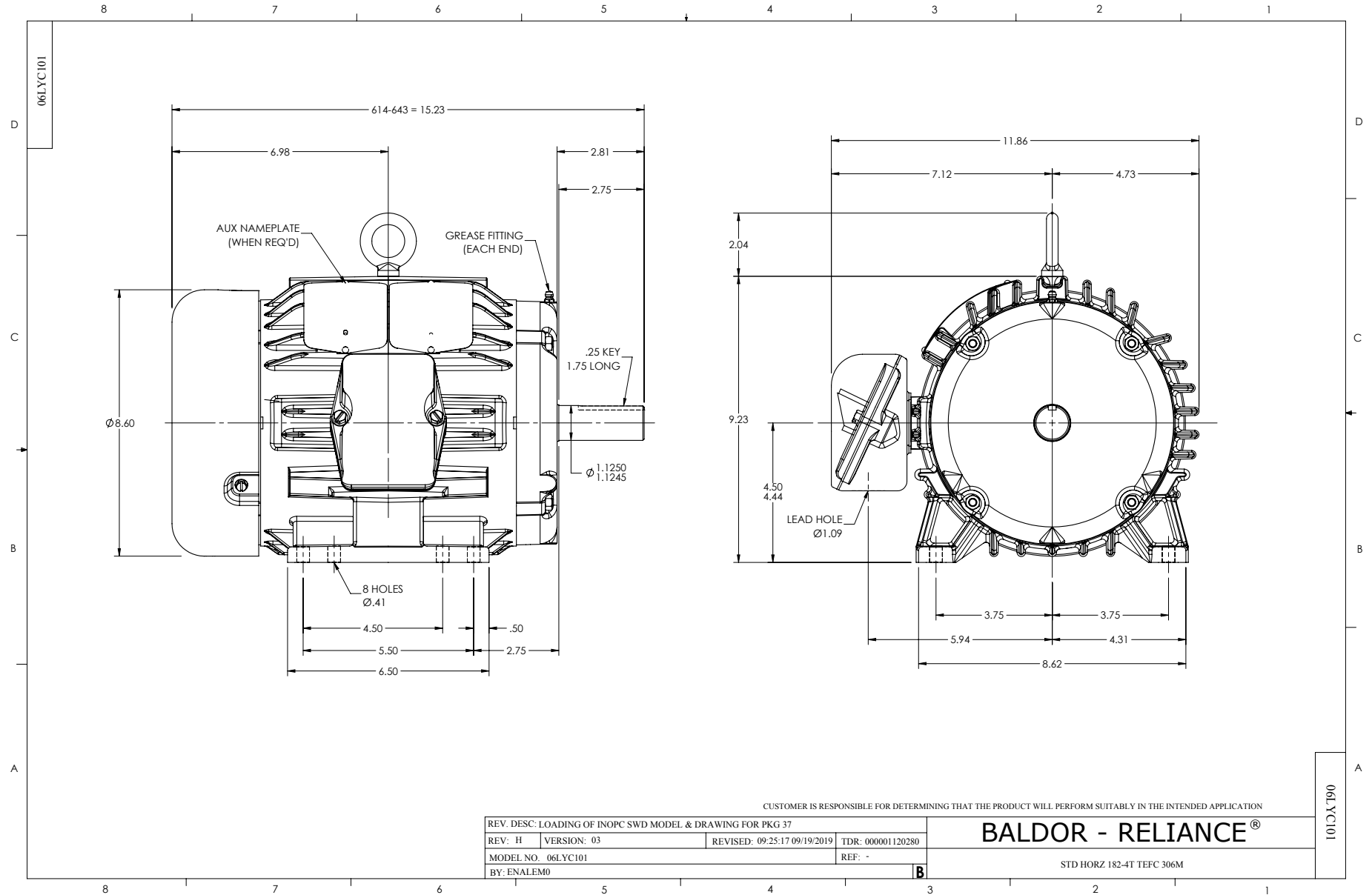
Winding: 06WGX319-R001		Type: 0632M	Enclosure: TEFC		
Nameplate Data			575 V, 60 Hz: Single Voltage Motor		
Rated Output (KW)	2.2	Full Load Torque	12.21 N-M		
Volts	575	Start Configuration	direct on line		
Full Load Amps	3.3	Breakdown Torque	28.35 N-M		
R.P.M.	1755	Pull-up Torque	15.46 N-M		
Hz	60 Phase	3	Locked-rotor Torque	17.23 N-M	
NEMA Design Code	B	KVA Code	J	Starting Current	18.81 A
Service Factor (S.F.)	1.15	No-load Current	1.29 A		
NEMA Nom. Eff.	89.5	Power Factor	77	Line-line Res. @ 25°C	6.2 Ω
Rating - Duty	40C AMB-CONT		Temp. Rise @ Rated Load	40°C	
S.F. Amps			Temp. Rise @ S.F. Load	48°C	
			Locked-rotor Power Factor	41.5	
			Rotor inertia	0.0126 kg-m ²	

Load Characteristics 575 V, 60 Hz, 2.2 KW

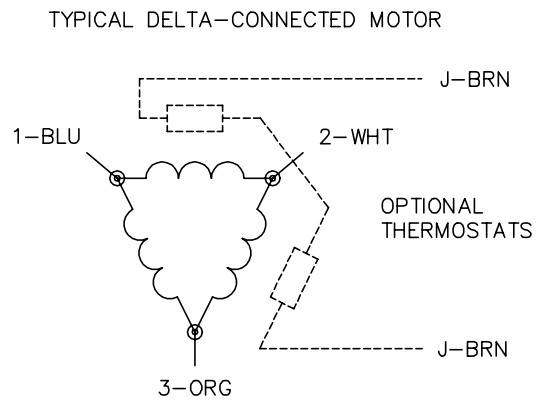
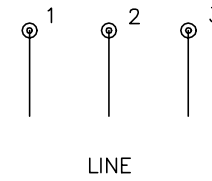
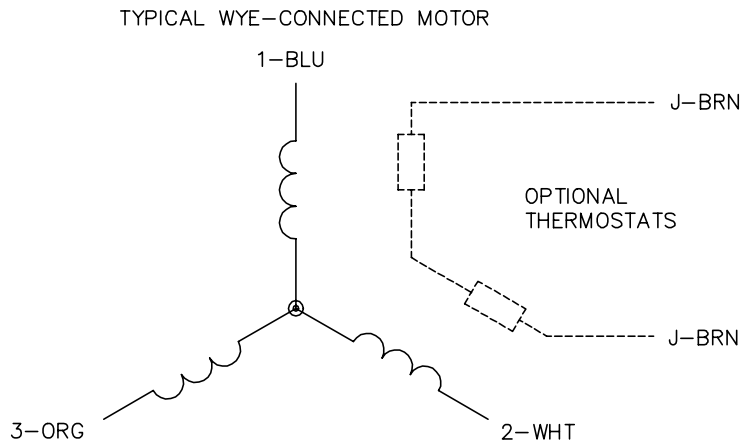
% of Rated Load	25	50	75	100	125	150	S.F.
Power Factor	43	59	65	67	68	67	68
Efficiency	86.7	89.8	89.5	88.1	86.3	83.1	87
Speed	1785	1769	1753	1735	1713	1685	1722
Line amperes	1.56	2.16	2.91	3.76	4.75	6	4.35

Performance Graph at 575V, 60Hz, 2.2KW Typical performance - Not guaranteed values





CD0006



NOTES:

1. THREE LEAD MOTOR MAY BE EITHER WYE CONNECTED OR DELTA CONNECTED.
2. INTERCHANGE ANY TWO LINE LEADS TO REVERSE ROTATION.
3. OPTIONAL THERMOSTATS ARE PROVIDED WHEN SPECIFIED.
4. ACTUAL NUMBER OF INTERNAL PARALLEL CIRCUITS MAY VARY.
5. LEAD COLORS ARE OPTIONAL. LEADS MUST BE NUMBERED AS SHOWN.

CD0006

REV. DESC: ADD CLASS CONN00000007		
REV. LTR: E	VERSION: 01	TDR: 000001099922
FILE: \AAA\00005\141	REVISED: 10:24:49 02/19/2019	BY: ENBRIRO
MTL: -	© □	

BALDOR - RELIANCE®

3PH, SV, 3 LEADS, WYE OR DELTA CONNECTED

SH 1 of 1