

BALDOR® • RELIANCE 

Product Information Packet

EM3663T-BG

5HP,3480RPM,3PH,60HZ,184T,TEFC,F1

Part Detail							
Revision:	-	Status:	PRD/A	Change #:		Proprietary:	No
Type:	AC	Elec. Spec:	06WGX782	CD Diagram:	CD0005	Mfg Plant:	
Mech. Spec:		Layout:	06LYK800	Poles:	02	Created Date:	04-10-2019
Base:		Eff. Date:	04-11-2019	Leads:	9#16		

Specs			
Catalog Number:	EM3663T-BG	Feedback Device:	NO FEEDBACK
Enclosure:	TEFC	Heater Indicator:	No Heater
Frame:	184T	Insulation Class:	H
Frame Material:	Iron	Inverter Code:	Inverter Ready
Output @ Frequency:	5.000 HP @ 60 HZ	IP Rating:	NONE
Synchronous Speed @ Frequency:	3600 RPM @ 60 HZ	KVA Code:	L
Voltage @ Frequency:	460.0 V @ 60 HZ	Lifting Lugs:	Standard Lifting Lugs
	230.0 V @ 60 HZ	Locked Bearing Indicator:	Locked Bearing
XP Class and Group:	None	Motor Lead Termination:	Flying Leads
XP Division:	Not Applicable	Motor Type:	0628M
Agency Approvals:	CSA	Mounting Arrangement:	F1
	CSA EEV	Power Factor:	90
	UR	Product Family:	General Purpose
Auxillary Box:	No Auxillary Box	Pulley Face Code:	Standard
Auxillary Box Lead Termination:	None	Rodent Screen:	None
Base Indicator:	Rigid	Shaft Ground Indicator:	Shaft Grounding
Bearing Grease Type:	Polyrex EM (-20F +300F)	Shaft Rotation:	Reversible
Blower:	None	Speed Code:	Single Speed

Current @ Voltage:	5.800 A @ 460.0 V	Motor Standards:	NEMA
	12.400 A @ 208.0 V	Starting Method:	Direct on line
	11.600 A @ 230.0 V	Thermal Device - Bearing:	None
Design Code:	A	Thermal Device - Winding:	None
Drip Cover:	No Drip Cover	Vibration Sensor Indicator:	No Vibration Sensor
Duty Rating:	CONT	Winding Thermal 1:	None
Electrically Isolated Bearing:	Not Electrically Isolated	Winding Thermal 2:	None

Nameplate NP3441LUA										
CAT.NO.	EM3663T-BG									
SPEC	06-0000-0086									
HP	5									
VOLTS	230/460									
AMPS	11.6/5.8									
RPM	3480									
FRAME	184T				HZ	60			PH	3
SF	1.15		CODE	L	DES	A		CLASS	H	
NEMA NOM. EFF	88.5		PF	90						
RATING	40C AMB-CONT									
CC	010A			USABLE AT 208V						12.4
ENCL	TEFC		SER							
DE	6206			ODE	6205					
VPWM INVERTER READY										
CT6-60H(10:1)VT3-60H(20:1)	50HZ 5HP 190/380V 14/7A									
										SF1.0

Parts List		
Part Number	Description	Quantity
SA368323	SA 06-0000-0086	1.000 EA
RA357826	RA 06-0000-0086	1.000 EA
LB1115N	LABEL,LIFTING DEVICE (ON ROLLS)	1.000 EA
LC0005E01	CONN.DIA./WARNING LABEL (LC0005/LB1119N)	1.000 EA
NP3441LUA	ALUM SUPER-E VPWM INV READY UL CSA-EEV C	1.000 EA
85XU0407S04	4X1/4 U DRIVE PIN STAINLESS	2.000 EA
MN416A01	TAG-INSTAL-MAINT no wire (2100/bx) 4/22	1.000 EA
HW3201A05	3/8-16 EYEBOLT	1.000 EA
36FH4009A03SP	IEC FH , W/ PRIMER	1.000 EA
51XW1032A06	10-32 X .38, TAPTITE II, HEX WSHR SLTD S	3.000 EA
34FN3002A02	EXTERNAL FAN, PLASTIC, .905/.907 HUB W/	1.000 EA
51XB0818A12	8-18X3/4 HXWSSLD SERTYB	1.000 EA
MJ1000A02	GREASE, MOBIL POLYREX EM - 124047	0.050 LB
HA3101A53	THRUBOLT 1/4-20 X 10.50	4.000 EA
LB1508	LABEL "SHAFT GROUNDING BRUSH" 1.50 X .81	1.000 EA
XY2520A12	1/4-20 HEX NUT, DIRECTIONAL SERRATIONS	4.000 EA
36EP1101A01	FR ENDPLATE, MACH	1.000 EA
HW5100A05	WVY WSHR F/205 & 304 BRGS	1.000 EA
HW4500A01	1641B(ALEMITE)400 UNIV, GREASE FITT	1.000 EA
36EP1100A118	PU EP W/206 LOCKED BRG & TGSLV	1.000 EA
10XN2520A20	1/4-20X 1 1/4 HEX HD X	4.000 EA
HW1001A25	LOCKWASHER 1/4, ZINC PLT .493 OD, .255 I	4.000 EA
HW4500A01	1641B(ALEMITE)400 UNIV, GREASE FITT	1.000 EA
06CB3000	BALDOR CONDUIT BOX CAST	1.000 EA

Parts List (continued)		
Part Number	Description	Quantity
06GS1000	GASKET,CONDUIT BOX	1.000 EA
51XW2520A12	SCREW, HEX SER SLT HD, ZN, 1/4-20 X .75	2.000 EA
11XW1032G06	10-32 X .38, TAPTITE II, HEX WSHR SLTD U	1.000 EA
HW3001B02	BRASS CUP WASHER W/GROUND SYMBOL TAB,	1.000 EA
06CB3500	BALDOR CONDUIT BOX LID	1.000 EA
06GS1001	BALDOR CONDUIT BOX GASKET	1.000 EA
51XW2520A12	.25-20 X .75, TAPTITE II, HEX WSHR SLTD	2.000 EA
MG1000Y03	MUNSELL 2.53Y 6.70/ 4.60, GLOSS 20,	0.022 GA
36PA1001	PKG GRP, PRINT PK1017A06	1.000 EA
HW2501E17	.250 SQUARE X 1.875 LONG LOW CARBON STEE	1.000 EA
HA7000A02	KEY RETAINER RING, 1 1/8 DIA, 1 3/8 DIA	1.000 EA

AC Induction Motor Performance Data

Record # 75467

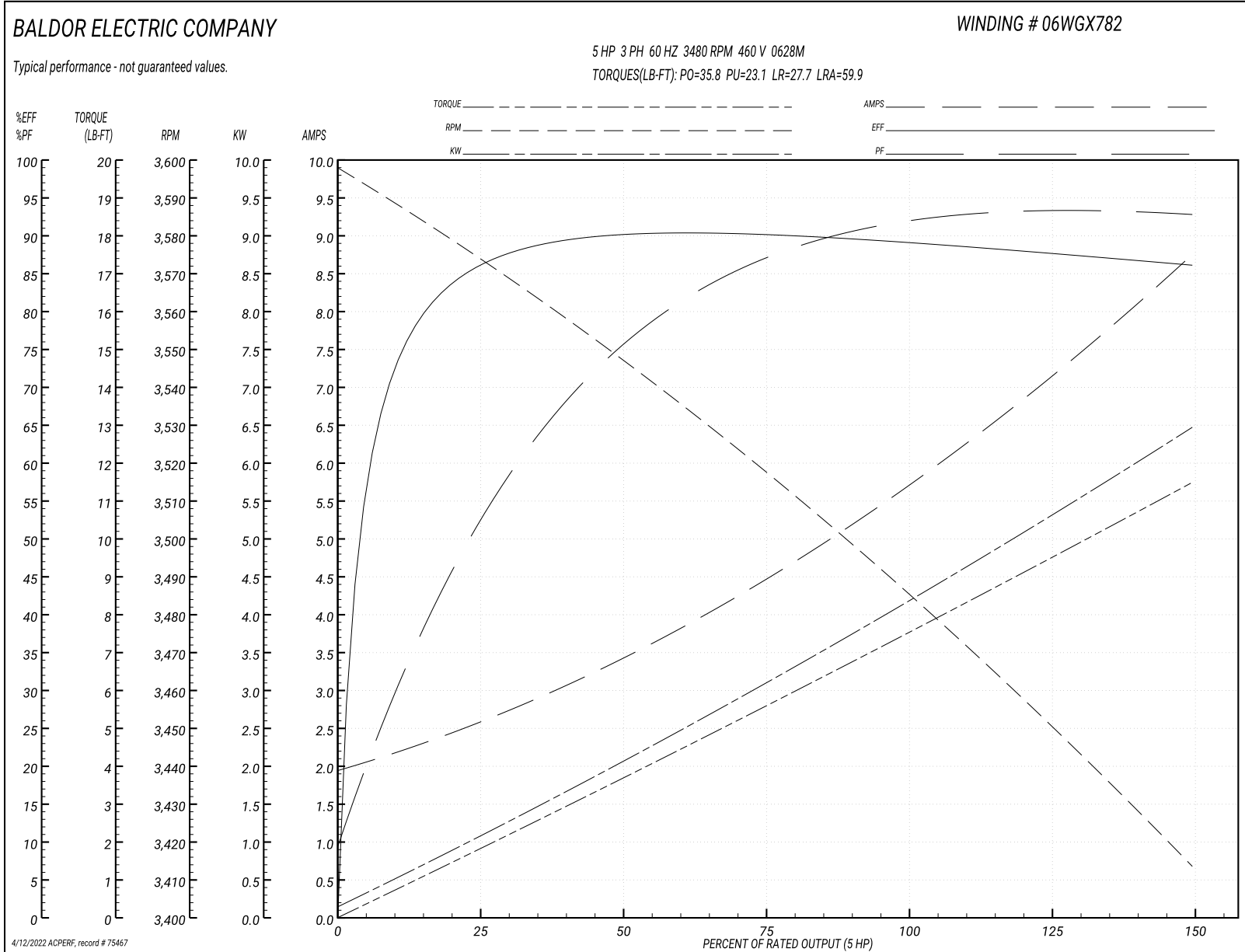
Typical performance - not guaranteed values

Winding: 06WGX782-R003		Type: 0628M		Enclosure: TEFC	
Nameplate Data			460 V, 60 Hz: High Voltage Connection		
Rated Output (HP)	5	Full Load Torque	7.55 LB-FT		
Volts	230/460	Start Configuration	direct on line		
Full Load Amps	11.6/5.8	Breakdown Torque	35.8 LB-FT		
R.P.M.	3480	Pull-up Torque	23.1 LB-FT		
Hz	60 Phase	3	Locked-rotor Torque	27.7 LB-FT	
NEMA Design Code	A KVA Code	L	Starting Current	59.9 A	
Service Factor (S.F.)	1.15	No-load Current	2.05 A		
NEMA Nom. Eff.	88.5 Power Factor	90	Line-line Res. @ 25°C	2.85 Ω	
Rating - Duty	40C AMB-CONT	Temp. Rise @ Rated Load	57°C		
S.F. Amps		Temp. Rise @ S.F. Load	70°C		
		Locked-rotor Power Factor	51.3		
		Rotor inertia	0.125 LB-FT ²		

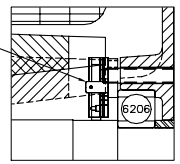
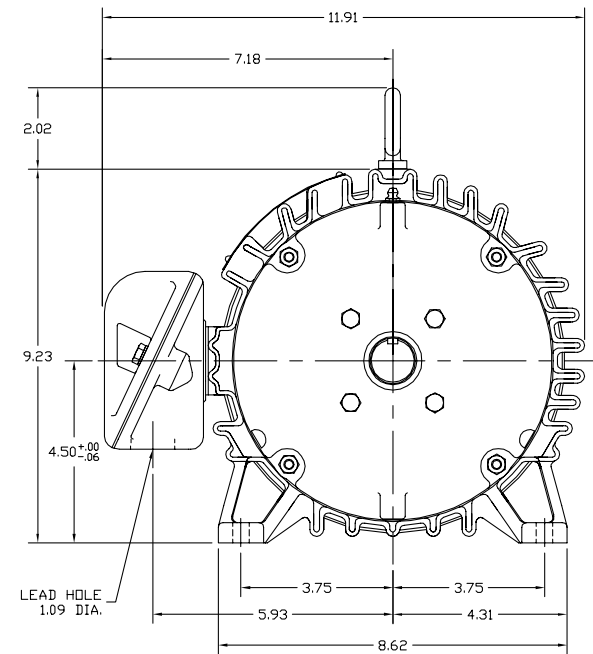
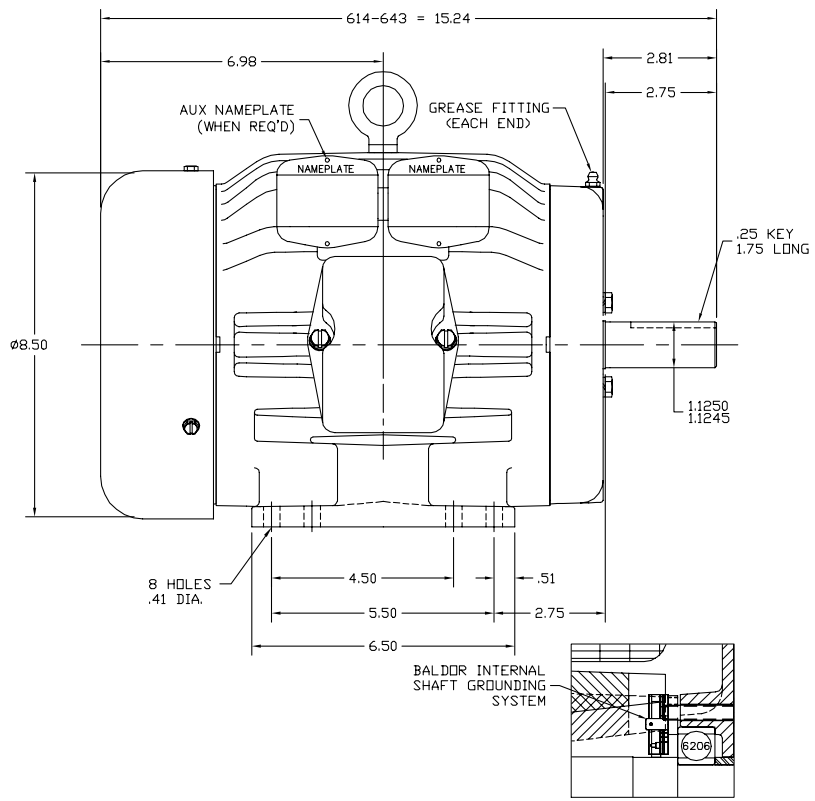
Load Characteristics 460 V, 60 Hz, 5 HP

% of Rated Load	25	50	75	100	125	150	S.F.
Power Factor	56	77	86	91	93	94	92
Efficiency	85.6	89.7	90.1	89.2	87.9	85.9	88.4
Speed	3574	3547	3517	3485	3452	3413	3465
Line amperes	2.45	3.35	4.53	5.8	7.17	8.69	6.62

Performance Graph at 460V, 60Hz, 5.0HP Typical performance - Not guaranteed values



06LYK800



CUSTOMER IS RESPONSIBLE FOR DETERMINING THAT BALDOR'S PRODUCT WILL PERFORM SUITABLY IN THE INTENDED APPLICATION.

REV. DESC: REMOVE 45 DEGREE DIMENSIONS IN RH VIEW		
REV. LTR: B	VERSION: 02	TDR: 000001104765
FILE: \AAA\00224\841	REVISED: 10:13:49 04/10/2019	BY: ENJESMO
MTL: -		

BALDOR - RELIANCE[®]

HORZ 182-184T TEFC 306M W/BALDOR INT SHAFT GROUND

SH 1 of 1

06LYK800

CD0005

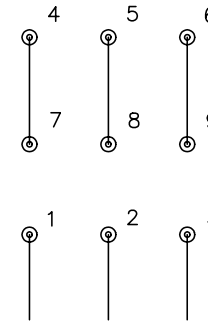


LOW VOLTAGE
(2Y)



LINE

HIGH VOLTAGE
(1Y)



LINE

NOTES:

1. INTERCHANGE ANY TWO LINE LEADS TO REVERSE ROTATION.
2. OPTIONAL THERMOSTATS ARE PROVIDED WHEN SPECIFIED.
3. ACTUAL NUMBER OF INTERNAL PARALLEL CIRCUITS MAY BE A MULTIPLE OF THOSE SHOWN ABOVE.
4. LEAD COLORS ARE OPTIONAL. LEADS MUST ALWAYS BE NUMBERED AS SHOWN.

REV. DESC: REVISE TO SHOW OPTIONAL COLORS			
REV. LTR: E	BY: JLP	REVISED: 01/19/99 10:15	TDR: 0171435
90000		FILE: AAA00005140	MDL: -
		MTL: -	

BALDOR ELECTRIC Co.

3PH, DV, 9 LEADS

CD0005

Marketing maintained PDF of MN416:

<http://www.baldor.com/support/Literature/Load.ashx/MN416?ManNumber=MN416>