

BALDOR® • RELIANCE 

Product Information Packet

EM3665T-BG

5HP, 1750RPM, 3PH, 60HZ, 184T, TEFC, F1

| Part Detail | | | | | | | |
|-------------|----|-------------|------------|-------------|--------|---------------|------------|
| Revision: | - | Status: | PRD/A | Change #: | | Proprietary: | No |
| Type: | AC | Elec. Spec: | 06WGX182 | CD Diagram: | CD0005 | Mfg Plant: | |
| Mech. Spec: | | Layout: | 06LYK800 | Poles: | 04 | Created Date: | 04-10-2019 |
| Base: | | Eff. Date: | 04-11-2019 | Leads: | 9#16 | | |

| Specs | | | |
|---------------------------------|-------------------------|---------------------------|-----------------------|
| Catalog Number: | EM3665T-BG | Feedback Device: | NO FEEDBACK |
| Enclosure: | TEFC | Heater Indicator: | No Heater |
| Frame: | 184T | Insulation Class: | H |
| Frame Material: | Iron | Inverter Code: | Inverter Ready |
| Output @ Frequency: | 5.000 HP @ 60 HZ | IP Rating: | NONE |
| Synchronous Speed @ Frequency: | 1800 RPM @ 60 HZ | KVA Code: | J |
| Voltage @ Frequency: | 460.0 V @ 60 HZ | Lifting Lugs: | Standard Lifting Lugs |
| | 230.0 V @ 60 HZ | Locked Bearing Indicator: | Locked Bearing |
| XP Class and Group: | None | Motor Lead Termination: | Flying Leads |
| XP Division: | Not Applicable | Motor Type: | 0642M |
| Agency Approvals: | CSA | Mounting Arrangement: | F1 |
| | CSA EEV | Power Factor: | 79 |
| | UR | Product Family: | General Purpose |
| Auxillary Box: | No Auxillary Box | Pulley Face Code: | Standard |
| Auxillary Box Lead Termination: | None | Rodent Screen: | None |
| Base Indicator: | Rigid | Shaft Ground Indicator: | Shaft Grounding |
| Bearing Grease Type: | Polyrex EM (-20F +300F) | Shaft Rotation: | Reversible |
| Blower: | None | Speed Code: | Single Speed |

| | | | |
|---------------------------------------|---------------------------|------------------------------------|---------------------|
| Current @ Voltage: | 6.600 A @ 460.0 V | Motor Standards: | NEMA |
| | 14.000 A @ 208.0 V | Starting Method: | Direct on line |
| | 13.200 A @ 230.0 V | Thermal Device - Bearing: | None |
| Design Code: | B | Thermal Device - Winding: | None |
| Drip Cover: | No Drip Cover | Vibration Sensor Indicator: | No Vibration Sensor |
| Duty Rating: | CONT | Winding Thermal 1: | None |
| Electrically Isolated Bearing: | Not Electrically Isolated | Winding Thermal 2: | None |

| | | | | | | | | | | |
|----------------------------------|-----------------------------|--|-------------|-----------------------|------------|----|--|--------------|-----------|----|
| Nameplate NP3441LUA | | | | | | | | | | |
| CAT.NO. | EM3665T-BG | | | | | | | | | |
| SPEC | 06-0000-0085 | | | | | | | | | |
| HP | 5 | | | | | | | | | |
| VOLTS | 230/460 | | | | | | | | | |
| AMPS | 13.2/6.6 | | | | | | | | | |
| RPM | 1750 | | | | | | | | | |
| FRAME | 184T | | | | HZ | 60 | | | PH | 3 |
| SF | 1.15 | | CODE | J | DES | B | | CLASS | H | |
| NEMA NOM. EFF | 89.5 | | PF | 79 | | | | | | |
| RATING | 40C AMB-CONT | | | | | | | | | |
| CC | 010A | | | USABLE AT 208V | | | | | | 14 |
| ENCL | TEFC | | SER | | | | | | | |
| DE | 6206 | | | ODE | 6205 | | | | | |
| VPWM INVERTER READY | | | | | | | | | | |
| CT6-60H(10:1)VT3-60H(20:1 | | | | | | | | | | |
| | 50HZ 5HP 190/380V 15.8/7.9A | | | | | | | | SF1.0 | |

| Parts List | | |
|---------------|--|----------|
| Part Number | Description | Quantity |
| SA368308 | SA 06-0000-0085 | 1.000 EA |
| RA357809 | RA 06-0000-0085 | 1.000 EA |
| LB1115N | LABEL,LIFTING DEVICE (ON ROLLS) | 1.000 EA |
| LC0005E01 | CONN.DIA./WARNING LABEL (LC0005/LB1119N) | 1.000 EA |
| NP3441LUA | ALUM SUPER-E VPWM INV READY UL CSA-EEV C | 1.000 EA |
| 85XU0407S04 | 4X1/4 U DRIVE PIN STAINLESS | 2.000 EA |
| MN416A01 | TAG-INSTAL-MAINT no wire (2100/bx) 4/22 | 1.000 EA |
| HW3201A05 | 3/8-16 EYEBOLT | 1.000 EA |
| 36FH4009A03SP | IEC FH , W/ PRIMER | 1.000 EA |
| 51XW1032A06 | 10-32 X .38, TAPTITE II, HEX WSHR SLTD S | 3.000 EA |
| 36FN3000A01SP | EXFN, PLASTIC, 7.00 OD, .912 ID | 1.000 EA |
| MJ1000A02 | GREASE, MOBIL POLYREX EM - 124047 | 0.050 LB |
| HA3101A53 | THRUBOLT 1/4-20 X 10.50 | 4.000 EA |
| LB1508 | LABEL "SHAFT GROUNDING BRUSH" 1.50 X .81 | 1.000 EA |
| XY2520A12 | 1/4-20 HEX NUT, DIRECTIONAL SERRATIONS | 4.000 EA |
| 36EP1101A01 | FR ENDPLATE, MACH | 1.000 EA |
| HW5100A05 | WVY WSHR F/205 & 304 BRGS | 1.000 EA |
| HW4500A01 | 1641B(ALEMITE)400 UNIV, GREASE FITT | 1.000 EA |
| 36EP1100A118 | PU EP W/206 LOCKED BRG & TGSLV | 1.000 EA |
| 10XN2520A20 | 1/4-20X 1 1/4 HEX HD X | 4.000 EA |
| HW1001A25 | LOCKWASHER 1/4, ZINC PLT .493 OD, .255 I | 4.000 EA |
| HW4500A01 | 1641B(ALEMITE)400 UNIV, GREASE FITT | 1.000 EA |
| 06CB3000 | BALDOR CONDUIT BOX CAST | 1.000 EA |
| 06GS1000 | GASKET,CONDUIT BOX | 1.000 EA |

| Parts List (continued) | | |
|-------------------------------|--|-----------------|
| Part Number | Description | Quantity |
| 51XW2520A12 | SCREW, HEX SER SLT HD, ZN, 1/4-20 X .75 | 2.000 EA |
| 11XW1032G06 | 10-32 X .38, TAPTITE II, HEX WSHR SLTD U | 1.000 EA |
| HW3001B02 | BRASS CUP WASHER W/GROUND SYMBOL TAB, | 1.000 EA |
| 06CB3500 | BALDOR CONDUIT BOX LID | 1.000 EA |
| 06GS1001 | BALDOR CONDUIT BOX GASKET | 1.000 EA |
| 51XW2520A12 | .25-20 X .75, TAPTITE II, HEX WSHR SLTD | 2.000 EA |
| MG1000Y03 | MUNSELL 2.53Y 6.70/ 4.60, GLOSS 20, | 0.022 GA |
| 36PA1001 | PKG GRP, PRINT PK1017A06 | 1.000 EA |
| HW2501E17 | .250 SQUARE X 1.875 LONG LOW CARBON STEE | 1.000 EA |
| HA7000A02 | KEY RETAINER RING, 1 1/8 DIA, 1 3/8 DIA | 1.000 EA |

AC Induction Motor Performance Data

Record # 75464

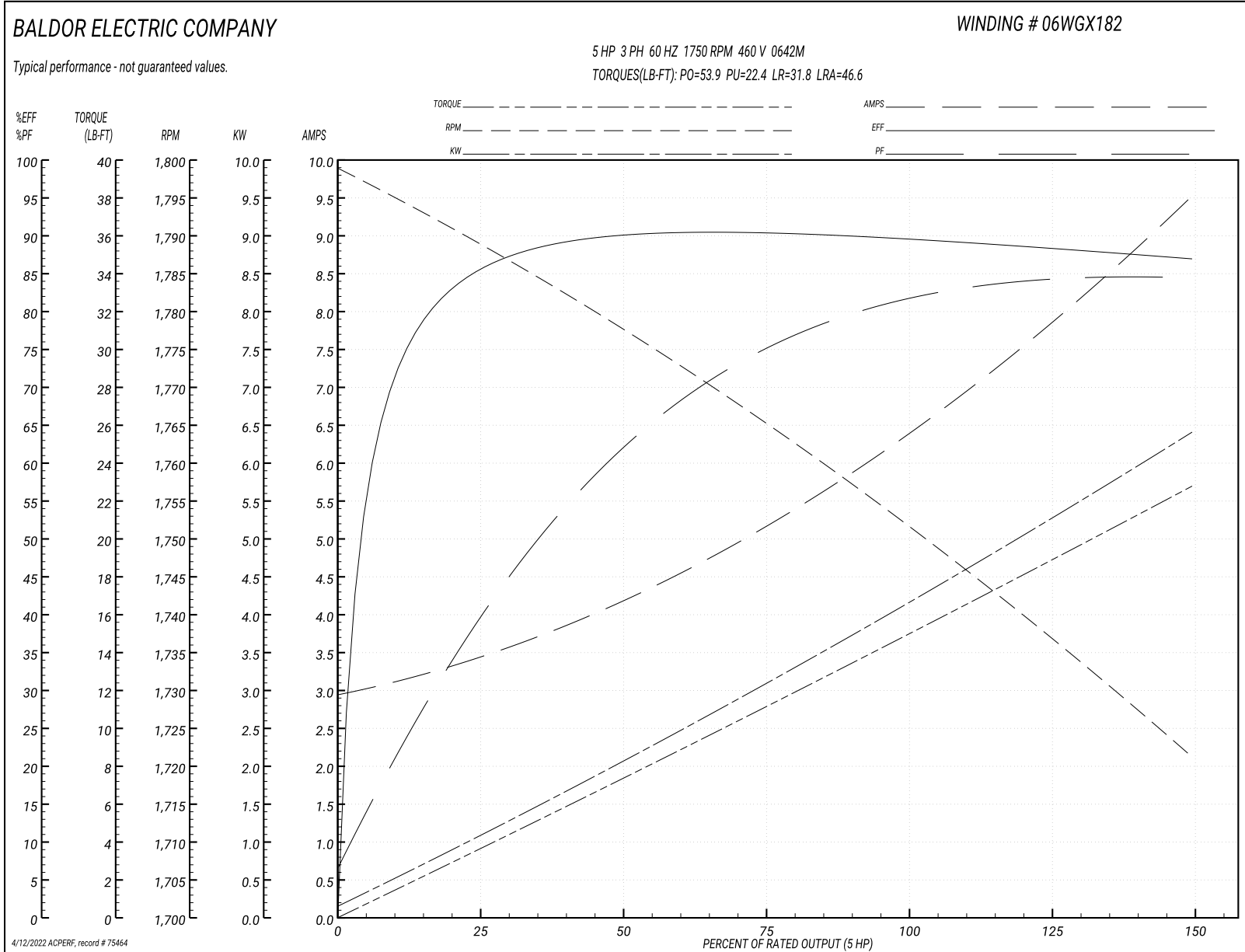
Typical performance - not guaranteed values

| Winding: 06WGX182-R019 | | Type: 0642M | | Enclosure: TEFC | |
|-------------------------------|-------------------|----------------------------|--|------------------------------|--------|
| Nameplate Data | | | 460 V, 60 Hz: High Voltage Connection | | |
| Rated Output (HP) | 5 | Full Load Torque | 15 LB-FT | | |
| Volts | 230/460 | Start Configuration | direct on line | | |
| Full Load Amps | 13.2/6.6 | Breakdown Torque | 53.9 LB-FT | | |
| R.P.M. | 1750 | Pull-up Torque | 22.4 LB-FT | | |
| Hz | 60 Phase | 3 | Locked-rotor Torque | 31.8 LB-FT | |
| NEMA Design Code | B KVA Code | J | Starting Current | 46.6 A | |
| Service Factor (S.F.) | 1.15 | No-load Current | 3.02 A | | |
| NEMA Nom. Eff. | 89.5 | Power Factor | 79 | Line-line Res. @ 25°C | 2.63 Ω |
| Rating - Duty | 40C AMB-CONT | | Temp. Rise @ Rated Load | 53°C | |
| S.F. Amps | | | Temp. Rise @ S.F. Load | 66°C | |
| | | | Locked-rotor Power Factor | 40.5 | |
| | | | Rotor inertia | 0.391 LB-FT ² | |

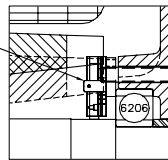
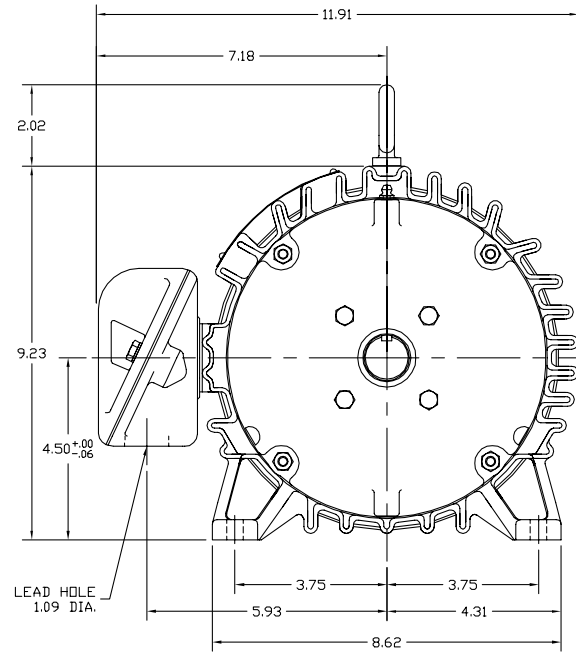
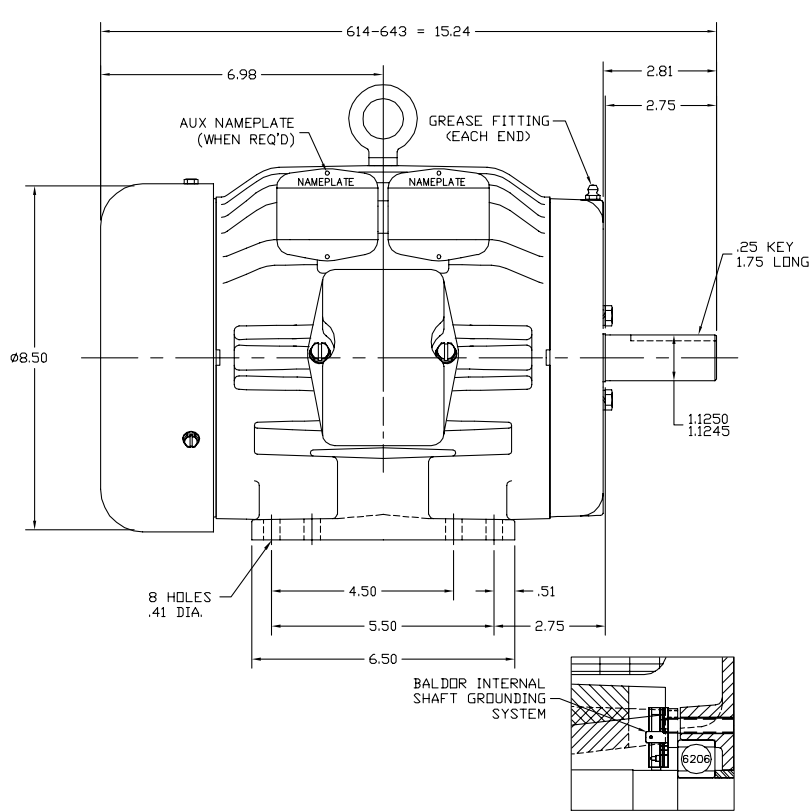
Load Characteristics 460 V, 60 Hz, 5 HP

| % of Rated Load | 25 | 50 | 75 | 100 | 125 | 150 | S.F. |
|------------------------|-----------|-----------|-----------|------------|------------|------------|-------------|
| Power Factor | 41 | 63 | 75 | 81 | 84 | 85 | 83 |
| Efficiency | 85.1 | 89.7 | 90.3 | 89.8 | 88.4 | 86.8 | 89 |
| Speed | 1789 | 1777 | 1765 | 1752 | 1737 | 1721 | 1743 |
| Line amperes | 3.35 | 4.14 | 5.21 | 6.45 | 7.91 | 9.47 | 7.33 |

Performance Graph at 460V, 60Hz, 5.0HP Typical performance - Not guaranteed values



06LYK800



PULLEY END DETAIL

CUSTOMER IS RESPONSIBLE FOR DETERMINING THAT BALDOR'S PRODUCT WILL PERFORM SUITABLY IN THE INTENDED APPLICATION.

| | | |
|---|------------------------------|-------------------|
| REV. DESC: REMOVE 45 DEGREE DIMENSIONS IN RH VIEW | | |
| REV. LTR: B | VERSION: 02 | TDR: 000001104765 |
| FILE: \AAA\00224\841 | REVISED: 10:13:49 04/10/2019 | BY: ENJESMO |
| MTL: - | | |

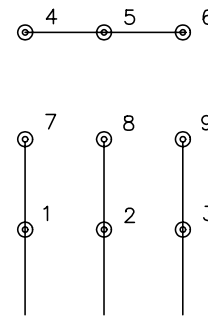
BALDOR - RELIANCE[®]
 HORZ 182-184T TEFC 306M W/BALDOR INT SHAFT GROUND
 SH 1 of 1

06LYK800

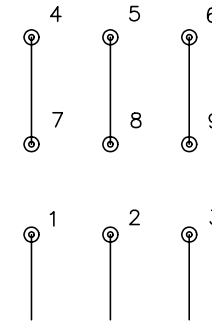
CD0005



LOW VOLTAGE
(2Y)



HIGH VOLTAGE
(1Y)



NOTES:

1. INTERCHANGE ANY TWO LINE LEADS TO REVERSE ROTATION.
2. OPTIONAL THERMOSTATS ARE PROVIDED WHEN SPECIFIED.
3. ACTUAL NUMBER OF INTERNAL PARALLEL CIRCUITS MAY BE A MULTIPLE OF THOSE SHOWN ABOVE.
4. LEAD COLORS ARE OPTIONAL. LEADS MUST ALWAYS BE NUMBERED AS SHOWN.

| | | | |
|---|---------|-------------------------|--------------|
| REV. DESC: REVISE TO SHOW OPTIONAL COLORS | | | |
| REV. LTR: E | BY: JLP | REVISED: 01/19/99 10:15 | TDR: 0171435 |
| 90000 | | FILE: AAA00005140 | MDL: - |
| | | MTL: - | |

BALDOR ELECTRIC Co.

3PH, DV, 9 LEADS

CD0005

Marketing maintained PDF of MN416:

<http://www.baldor.com/support/Literature/Load.ashx/MN416?ManNumber=MN416>