

**BALDOR® • RELIANCE** 

**Product Information Packet**

**EM3667T-BG**

**1.5HP,1170RPM,3PH,60HZ,182T,TEFC,F1**

Part Detail							
Revision:	-	Status:	PRD/A	Change #:		Proprietary:	No
Type:	AC	Elec. Spec:	06WGW969	CD Diagram:	CD0005	Mfg Plant:	
Mech. Spec:		Layout:	06LYK800	Poles:	06	Created Date:	04-11-2019
Base:		Eff. Date:	04-12-2019	Leads:	9#16		

Specs			
Catalog Number:	EM3667T-BG	Feedback Device:	NO FEEDBACK
Enclosure:	TEFC	Heater Indicator:	No Heater
Frame:	182T	Insulation Class:	H
Frame Material:	Iron	Inverter Code:	Inverter Ready
Output @ Frequency:	1.500 HP @ 60 HZ	IP Rating:	NONE
Synchronous Speed @ Frequency:	1200 RPM @ 60 HZ	KVA Code:	K
Voltage @ Frequency:	460.0 V @ 60 HZ	Lifting Lugs:	Standard Lifting Lugs
	230.0 V @ 60 HZ	Locked Bearing Indicator:	Locked Bearing
XP Class and Group:	None	Motor Lead Termination:	Flying Leads
XP Division:	Not Applicable	Motor Type:	0630M
Agency Approvals:	CSA	Mounting Arrangement:	F1
	CSA EEV	Power Factor:	65
	UR	Product Family:	General Purpose
Auxillary Box:	No Auxillary Box	Pulley Face Code:	Standard
Auxillary Box Lead Termination:	None	Rodent Screen:	None
Base Indicator:	Rigid	Shaft Ground Indicator:	Shaft Grounding
Bearing Grease Type:	Polyrex EM (-20F +300F)	Shaft Rotation:	Reversible
Blower:	None	Speed Code:	Single Speed

<b>Current @ Voltage:</b>	2.500 A @ 460.0 V	<b>Motor Standards:</b>	NEMA
	5.000 A @ 230.0 V	<b>Starting Method:</b>	Direct on line
<b>Design Code:</b>	B	<b>Thermal Device - Bearing:</b>	None
<b>Drip Cover:</b>	No Drip Cover	<b>Thermal Device - Winding:</b>	None
<b>Duty Rating:</b>	CONT	<b>Vibration Sensor Indicator:</b>	No Vibration Sensor
<b>Electrically Isolated Bearing:</b>	Not Electrically Isolated	<b>Winding Thermal 1:</b>	None
		<b>Winding Thermal 2:</b>	None

<b>Nameplate NP3441LUA</b>	
<b>CAT.NO.</b>	EM3667T-BG
<b>SPEC</b>	06-0000-0090
<b>HP</b>	1.5
<b>VOLTS</b>	230/460
<b>AMPS</b>	5/2.5
<b>RPM</b>	1170
<b>FRAME</b>	182T
<b>HZ</b>	60
<b>PH</b>	3
<b>SF</b>	1.15
<b>CODE</b>	K
<b>DES</b>	B
<b>CLASS</b>	H
<b>NEMA NOM. EFF</b>	87.5
<b>PF</b>	65
<b>RATING</b>	40C AMB-CONT
<b>CC</b>	010A
<b>ENCL</b>	TEFC
<b>SER</b>	USABLE AT 208V
<b>DE</b>	6206
<b>ODE</b>	6205
<b>VPWM INVERTER READY</b>	
<b>CT6-60H(10:1)VT3-60H(20:1)</b>	
50HZ 1.5HP 190/380V 5.8/2.9A	
SF1.0	

Parts List		
Part Number	Description	Quantity
SA368359	SA 06-0000-0090	1.000 EA
RA357865	RA 06-0000-0090	1.000 EA
LB1115N	LABEL,LIFTING DEVICE (ON ROLLS)	1.000 EA
LC0005E01	CONN.DIA./WARNING LABEL (LC0005/LB1119N)	1.000 EA
NP3441LUA	ALUM SUPER-E VPWM INV READY UL CSA-EEV C	1.000 EA
85XU0407S04	4X1/4 U DRIVE PIN STAINLESS	2.000 EA
MN416A01	TAG-INSTAL-MAINT no wire (2100/bx) 4/22	1.000 EA
HW3201A05	3/8-16 EYEBOLT	1.000 EA
36FH4009A03SP	IEC FH , W/ PRIMER	1.000 EA
51XW1032A06	10-32 X .38, TAPTITE II, HEX WSHR SLTD S	3.000 EA
36FN3000C01SP	EXFN, PLASTIC, 5.25 OD, .912 ID	1.000 EA
51XB1214A16	12-14X1.00 HXWSSLD SERTYB	1.000 EA
MJ1000A02	GREASE, MOBIL POLYREX EM - 124047	0.050 LB
HA3101A53	THRUBOLT 1/4-20 X 10.50	4.000 EA
LB1508	LABEL "SHAFT GROUNDING BRUSH" 1.50 X .81	1.000 EA
XY2520A12	1/4-20 HEX NUT, DIRECTIONAL SERRATIONS	4.000 EA
36EP1101A01	FR ENDPLATE, MACH	1.000 EA
HW5100A05	WVY WSHR F/205 & 304 BRGS	1.000 EA
HW4500A01	1641B(ALEMITE)400 UNIV, GREASE FITT	1.000 EA
36EP1100A118	PU EP W/206 LOCKED BRG & TGSLV	1.000 EA
10XN2520A20	1/4-20X 1 1/4 HEX HD X	4.000 EA
HW1001A25	LOCKWASHER 1/4, ZINC PLT .493 OD, .255 I	4.000 EA
HW4500A01	1641B(ALEMITE)400 UNIV, GREASE FITT	1.000 EA
06CB3000	BALDOR CONDUIT BOX CAST	1.000 EA

<b>Parts List (continued)</b>		
<b>Part Number</b>	<b>Description</b>	<b>Quantity</b>
06GS1000	GASKET,CONDUIT BOX	1.000 EA
51XW2520A12	SCREW, HEX SER SLT HD, ZN, 1/4-20 X .75	2.000 EA
11XW1032G06	10-32 X .38, TAPTITE II, HEX WSHR SLTD U	1.000 EA
HW3001B02	BRASS CUP WASHER W/GROUND SYMBOL TAB,	1.000 EA
06CB3500	BALDOR CONDUIT BOX LID	1.000 EA
06GS1001	BALDOR CONDUIT BOX GASKET	1.000 EA
51XW2520A12	.25-20 X .75, TAPTITE II, HEX WSHR SLTD	2.000 EA
MG1000Y03	MUNSELL 2.53Y 6.70/ 4.60, GLOSS 20,	0.022 GA
36PA1001	PKG GRP, PRINT PK1017A06	1.000 EA
HW2501E17	.250 SQUARE X 1.875 LONG LOW CARBON STEE	1.000 EA
HA7000A02	KEY RETAINER RING, 1 1/8 DIA, 1 3/8 DIA	1.000 EA

**AC Induction Motor Performance Data**

Record # 75471

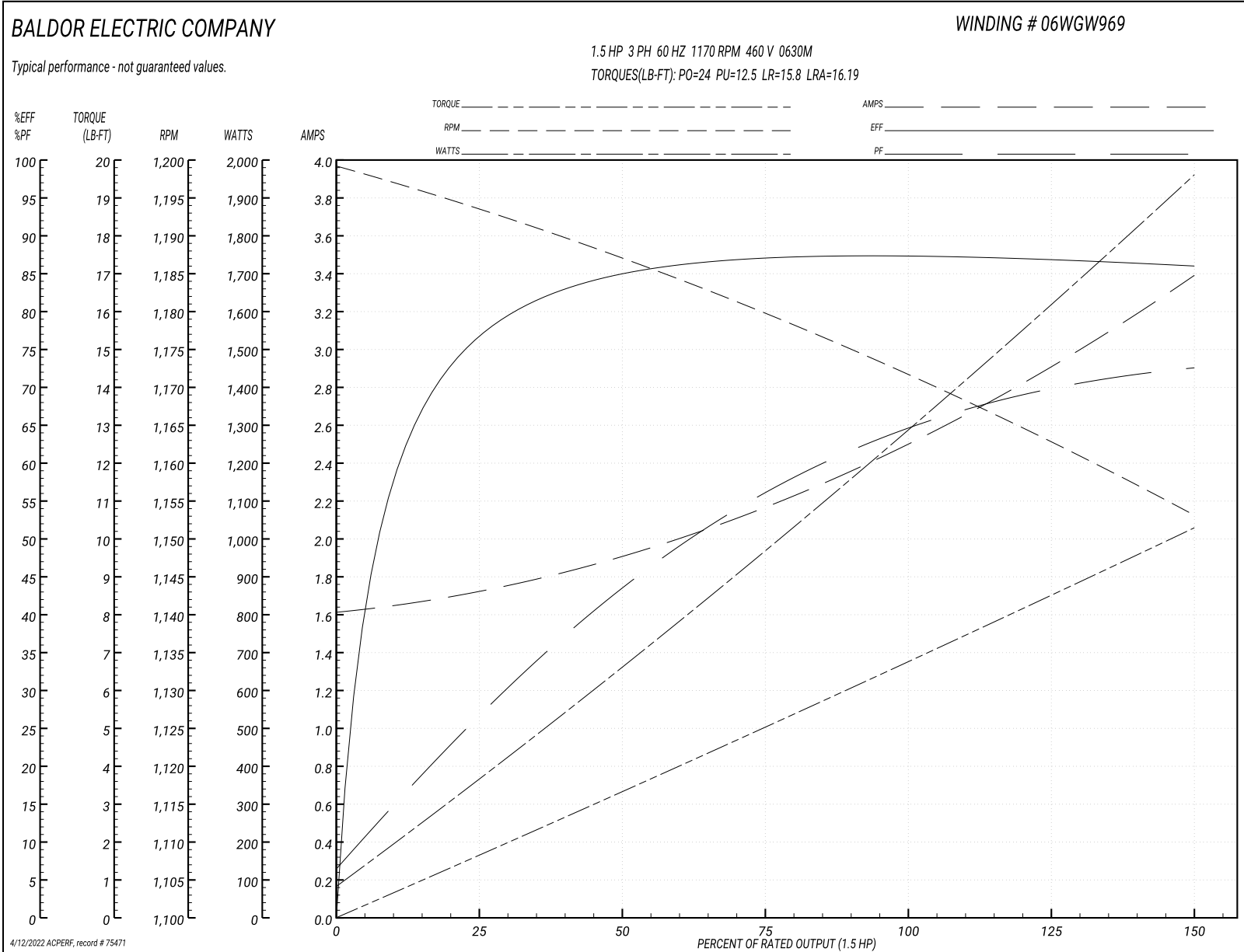
Typical performance - not guaranteed values

<b>Winding: 06WGW969-R006</b>		<b>Type: 0630M</b>		<b>Enclosure: TEFC</b>	
<b>Nameplate Data</b>			<b>460 V, 60 Hz: High Voltage Connection</b>		
<b>Rated Output (HP)</b>	1.5	<b>Full Load Torque</b>	6.77 LB-FT		
<b>Volts</b>	230/460	<b>Start Configuration</b>	direct on line		
<b>Full Load Amps</b>	5/2.5	<b>Breakdown Torque</b>	24 LB-FT		
<b>R.P.M.</b>	1170	<b>Pull-up Torque</b>	12.5 LB-FT		
<b>Hz</b>	60 <b>Phase</b>	3	<b>Locked-rotor Torque</b>	15.8 LB-FT	
<b>NEMA Design Code</b>	<b>B KVA Code</b>	K	<b>Starting Current</b>	16.19 A	
<b>Service Factor (S.F.)</b>	1.15	<b>No-load Current</b>	1.63 A		
<b>NEMA Nom. Eff.</b>	87.5	<b>Power Factor</b>	65	<b>Line-line Res. @ 25°C</b>	7.01 Ω
<b>Rating - Duty</b>	40C AMB-CONT		<b>Temp. Rise @ Rated Load</b>	26°C	
<b>S.F. Amps</b>			<b>Temp. Rise @ S.F. Load</b>	31°C	
			<b>Locked-rotor Power Factor</b>	30.4	
			<b>Rotor inertia</b>	0.282 LB-FT <sup>2</sup>	

**Load Characteristics 460 V, 60 Hz, 1.5 HP**

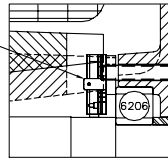
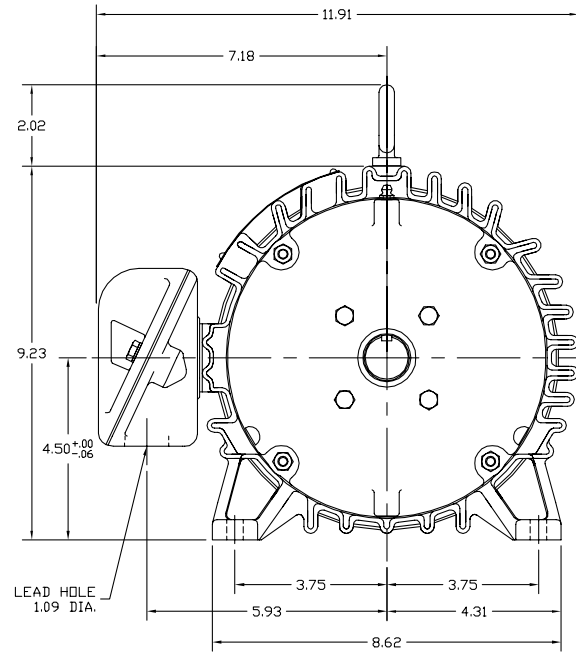
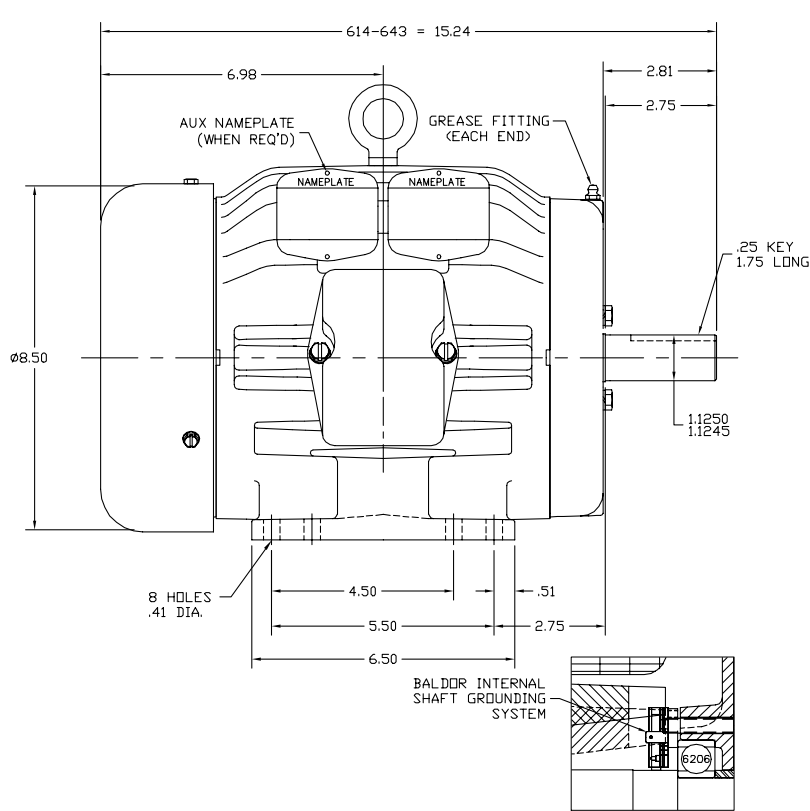
<b>% of Rated Load</b>	<b>25</b>	<b>50</b>	<b>75</b>	<b>100</b>	<b>125</b>	<b>150</b>	<b>S.F.</b>
<b>Power Factor</b>	27	44	56	64	69	73	67
<b>Efficiency</b>	76.3	84.8	86.8	87.5	87.1	85.8	87.3
<b>Speed</b>	1194	1187	1179	1172	1163	1153	1167
<b>Line amperes</b>	1.7	1.9	2.18	2.51	2.92	3.38	2.76

Performance Graph at 460V, 60Hz, 1.5HP Typical performance - Not guaranteed values





06LYK800



PULLEY END DETAIL

CUSTOMER IS RESPONSIBLE FOR DETERMINING THAT BALDOR'S PRODUCT WILL PERFORM SUITABLY IN THE INTENDED APPLICATION.

REV. DESC: REMOVE 45 DEGREE DIMENSIONS IN RH VIEW		
REV. LTR: B	VERSION: 02	TDR: 000001104765
FILE: \AAA\00224\841	REVISED: 10:13:49 04/10/2019	BY: ENJESMO
MTL: -		

**BALDOR - RELIANCE**<sup>®</sup>  
 HORZ 182-184T TEFC 306M W/BALDOR INT SHAFT GROUND  
 SH 1 of 1

06LYK800

CD0005



LOW VOLTAGE  
(2Y)



LINE

HIGH VOLTAGE  
(1Y)



LINE

NOTES:

1. INTERCHANGE ANY TWO LINE LEADS TO REVERSE ROTATION.
2. OPTIONAL THERMOSTATS ARE PROVIDED WHEN SPECIFIED.
3. ACTUAL NUMBER OF INTERNAL PARALLEL CIRCUITS MAY BE A MULTIPLE OF THOSE SHOWN ABOVE.
4. LEAD COLORS ARE OPTIONAL. LEADS MUST ALWAYS BE NUMBERED AS SHOWN.

REV. DESC: REVISE TO SHOW OPTIONAL COLORS

REV. LTR: E BY: JLP

REVISED: 01/19/99 10:15

TDR: 0171435

9000D

FILE: AAA00005140

MDL: -

MTL: -

**BALDOR ELECTRIC Co.**

3PH, DV, 9 LEADS

CD0005

Marketing maintained PDF of MN416:

<http://www.baldor.com/support/Literature/Load.ashx/MN416?ManNumber=MN416>