

**BALDOR® • RELIANCE** 

**Product Information Packet**

**EM3768T-G**

**5HP, 1160RPM, 3PH, 60HZ, 215T, TEFC, F1**

Part Detail							
Revision:	D	Status:	PRD/A	Change #:		Proprietary:	No
Type:	AC	Elec. Spec:	07WGY763	CD Diagram:	CD0005	Mfg Plant:	
Mech. Spec:		Layout:	07LYL783	Poles:	06	Created Date:	04-11-2019
Base:		Eff. Date:	04-13-2021	Leads:	9#14		

Specs			
Catalog Number:	EM3768T-G	Feedback Device:	NO FEEDBACK
Enclosure:	TEFC	Heater Indicator:	No Heater
Frame:	215T	Insulation Class:	H
Frame Material:	Iron	Inverter Code:	Inverter Ready
Output @ Frequency:	5.000 HP @ 60 HZ	IP Rating:	NONE
Synchronous Speed @ Frequency:	1200 RPM @ 60 HZ	KVA Code:	K
Voltage @ Frequency:	460.0 V @ 60 HZ	Lifting Lugs:	Standard Lifting Lugs
	230.0 V @ 60 HZ	Locked Bearing Indicator:	Locked Bearing
XP Class and Group:	None	Motor Lead Termination:	Flying Leads
XP Division:	Not Applicable	Motor Type:	0746M
Agency Approvals:	CSA	Mounting Arrangement:	F1
	CSA EEV	Power Factor:	71
	UR	Product Family:	General Purpose
Auxillary Box:	No Auxillary Box	Pulley Face Code:	Standard
Auxillary Box Lead Termination:	None	Rodent Screen:	None
Base Indicator:	Rigid	Shaft Ground Indicator:	Shaft Grounding
Bearing Grease Type:	Polyrex EM (-20F +300F)	Shaft Rotation:	Reversible
Blower:	None	Speed Code:	Single Speed

<b>Current @ Voltage:</b>	7.400 A @ 460.0 V	<b>Motor Standards:</b>	NEMA
	15.300 A @ 208.0 V	<b>Starting Method:</b>	Direct on line
	14.800 A @ 230.0 V	<b>Thermal Device - Bearing:</b>	None
<b>Design Code:</b>	A	<b>Thermal Device - Winding:</b>	None
<b>Drip Cover:</b>	No Drip Cover	<b>Vibration Sensor Indicator:</b>	No Vibration Sensor
<b>Duty Rating:</b>	CONT	<b>Winding Thermal 1:</b>	None
<b>Electrically Isolated Bearing:</b>	Not Electrically Isolated	<b>Winding Thermal 2:</b>	None

<b>Nameplate NP3441LUA</b>										
<b>CAT.NO.</b>	EM3768T-G									
<b>SPEC</b>	07-0000-0090									
<b>HP</b>	5									
<b>VOLTS</b>	230/460									
<b>AMPS</b>	14.8/7.4									
<b>RPM</b>	1160									
<b>FRAME</b>	215T				<b>HZ</b>	60			<b>PH</b>	3
<b>SF</b>	1.15		<b>CODE</b>	K	<b>DES</b>	A		<b>CLASS</b>	H	
<b>NEMA NOM. EFF</b>	89.5		<b>PF</b>	71						
<b>RATING</b>	40C AMB-CONT									
<b>CC</b>	010A				<b>USABLE AT 208V</b>			15.3		
<b>ENCL</b>	TEFC		<b>SER</b>							
<b>DE</b>	6307			<b>ODE</b>	6206					
<b>VPWM INVERTER READY</b>										
<b>CT6-60H(10:1)VT3-60H(20:1</b>										
	50HZ 5HP 190/380V 17.2/8.6A								SF1.0	

Parts List		
Part Number	Description	Quantity
SA368346	SA 07-0000-0090	1.000 EA
RA357850	RA 07-0000-0090	1.000 EA
LB1115N	LABEL,LIFTING DEVICE (ON ROLLS)	1.000 EA
LC0005E01	CONN.DIA./WARNING LABEL (LC0005/LB1119N)	1.000 EA
NP3441LUA	ALUM SUPER-E VPWM INV READY UL CSA-EEV C	1.000 EA
85XU0407S04	4X1/4 U DRIVE PIN STAINLESS	2.000 EA
MN416A01	TAG-INSTAL-MAINT no wire (2100/bx) 4/22	1.000 EA
HW3201A05	3/8-16 EYEBOLT	1.000 EA
07FH4007SP	PRIMED	1.000 EA
51XW1032A06	10-32 X .38, TAPTITE II, HEX WSHR SLTD S	3.000 EA
37FN3002A01SP	EXFN, PLASTIC, 9.00 OD, 1.155 ID	1.000 EA
51XB1214A20	12-14X1.25 HXWSSLD SERTYB	1.000 EA
MJ1000A02	GREASE, MOBIL POLYREX EM - 124047	0.050 LB
HA3104A32	THRUBOLT- 5/16-18 X12.750	4.000 EA
LB1459	AEGIS SGR LABEL "AEGISLBL-100"	1.000 EA
XY3118A12	5/16-18 HEX NUT DIRECTIONAL SERRATION	4.000 EA
37EP1100A01	FR ENDPLATE MACH	1.000 EA
HW5100A06	W2420-025 WVY WSHR (WB)	1.000 EA
HW4500A01	1641B(ALEMITE)400 UNIV, GREASE FITT	1.000 EA
37EP1101A09	SPL PULLEY EP ENCL 37 307 BRG.	1.000 EA
10XN2520A26	1/4-20X 1 5/8 HEX HD	4.000 EA
HW1001A25	LOCKWASHER 1/4, ZINC PLT .493 OD, .255 I	4.000 EA
HW4500A01	1641B(ALEMITE)400 UNIV, GREASE FITT	1.000 EA
09CB3002SP	CB W/1.38 LEAD HOLE FOR 37, 39, 307 & 30	1.000 EA

<b>Parts List (continued)</b>		
<b>Part Number</b>	<b>Description</b>	<b>Quantity</b>
09GS1000SP	GASKET-CONDUIT BOX, 1/16 THICK LEXIDE	1.000 EA
51XW2520A12	.25-20 X .75, TAPTITE II, HEX WSHR SLTD	2.000 EA
WD1000B16	T&B CX70TN OR L70P TERMINAL LUG	1.000 EA
59XW2520G07	.25-20X.44,HEX SER WSHR,TAPTITE 2,GREEN	1.000 EA
09CB3501SP	CONDUIT BOX LID FOR 09CB3001 & 09CB3002	1.000 EA
09GS1013SP	GS FOR 09CB3501, 12CB1500 & 12CB1503 LID	1.000 EA
51XW2520A12	.25-20 X .75, TAPTITE II, HEX WSHR SLTD	2.000 EA
MG1000Y03	MUNSELL 2.53Y 6.70/ 4.60, GLOSS 20,	0.022 GA
07PA1011	PKG GRP, 07 CAST IRON PK1181	1.000 EA
10XL3808A28	3/8 X 1 3/4" LAG SCREW	2.000 EA
HW2501F21	KEY, 5/16 SQ X 2.375	1.000 EA
HA7000A02	KEY RETAINER RING, 1 1/8 DIA, 1 3/8 DIA	1.000 EA

**AC Induction Motor Performance Data**

Record # 70547

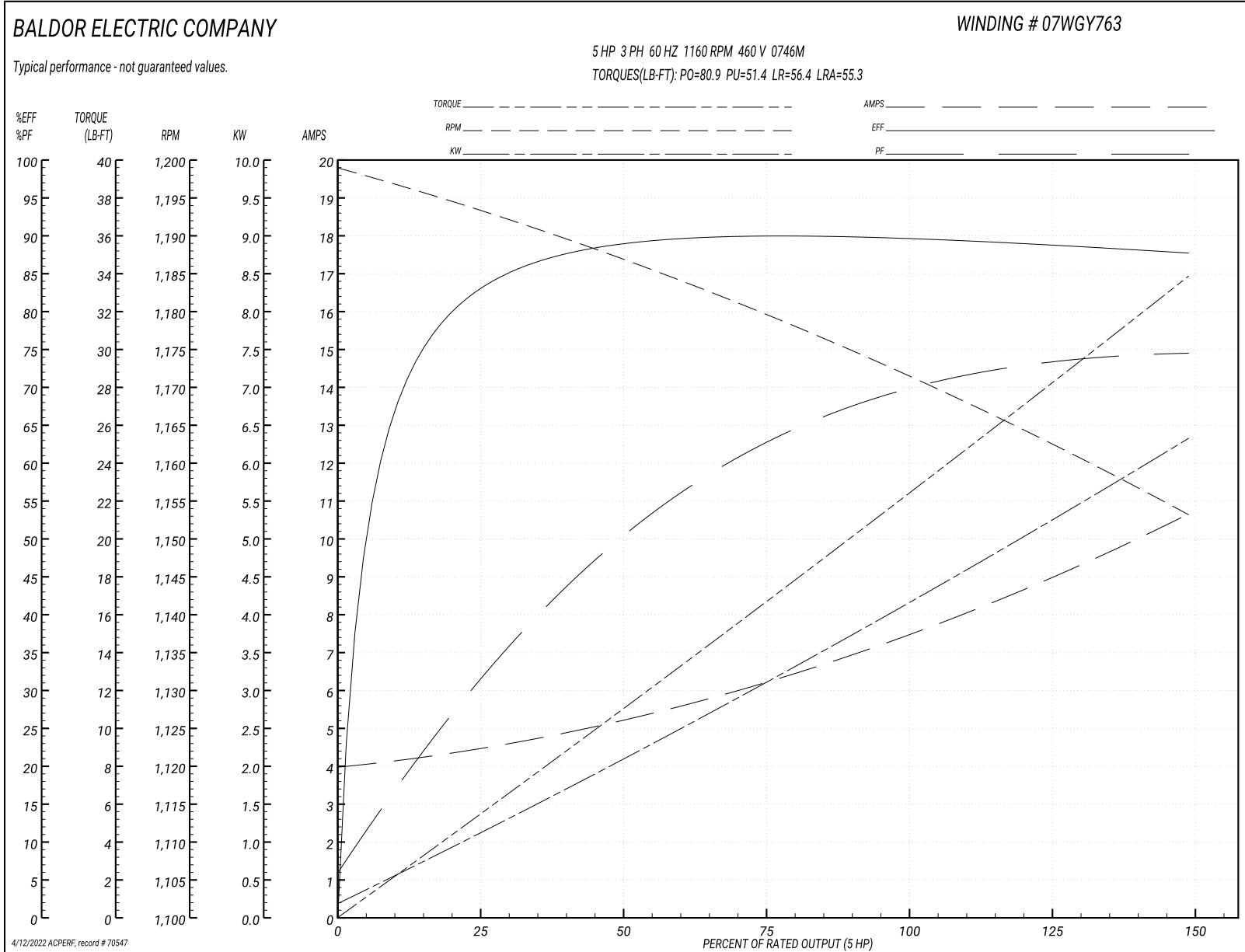
Typical performance - not guaranteed values

<b>Winding: 07WGY763-R009</b>		<b>Type: 0746M</b>		<b>Enclosure: TEFC</b>			
<b>Nameplate Data</b>			<b>460 V, 60 Hz: High Voltage Connection</b>				
<b>Rated Output (HP)</b>	5	<b>Full Load Torque</b>	22.6 LB-FT				
<b>Volts</b>	230/460	<b>Start Configuration</b>	direct on line				
<b>Full Load Amps</b>	14.8/7.4	<b>Breakdown Torque</b>	80.9 LB-FT				
<b>R.P.M.</b>	1160	<b>Pull-up Torque</b>	51.4 LB-FT				
<b>Hz</b>	60 <b>Phase</b>	3	<b>Locked-rotor Torque</b>	56.4 LB-FT			
<b>NEMA Design Code</b>	A	<b>KVA Code</b>	K	<b>Starting Current</b>	55.3 A		
<b>Service Factor (S.F.)</b>	1.15	<b>No-load Current</b>	4.04 A				
<b>NEMA Nom. Eff.</b>	89.5	<b>Power Factor</b>	71	<b>Line-line Res. @ 25°C</b>	1.64 Ω		
<b>Rating - Duty</b>	40C AMB-CONT		<b>Temp. Rise @ Rated Load</b>				
			<b>Locked-rotor Power Factor</b>	22.2			
			<b>Rotor inertia</b>	1.14 LB-FT <sup>2</sup>			

**Load Characteristics 460 V, 60 Hz, 5 HP**

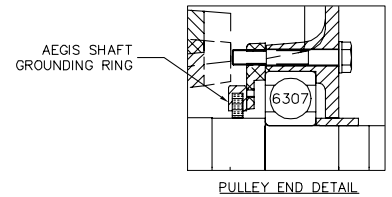
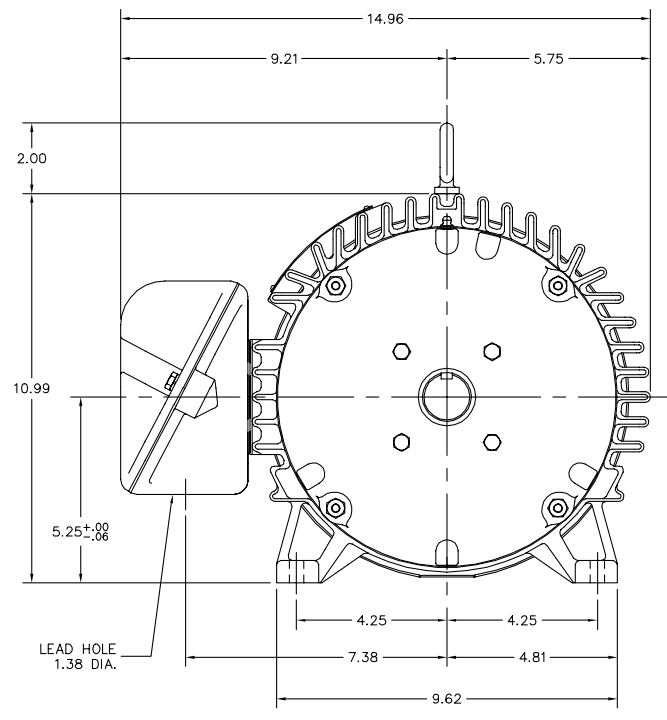
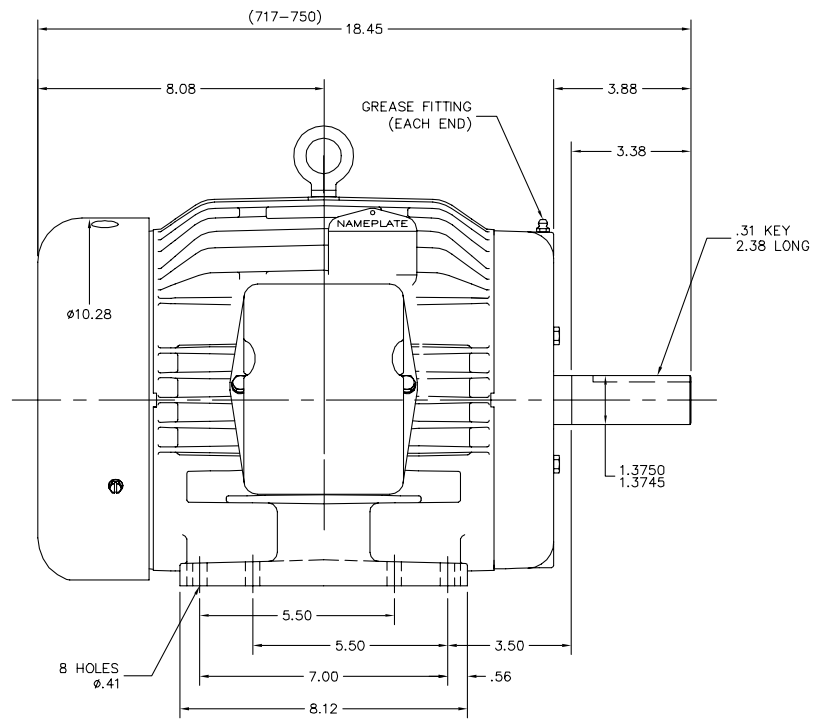
<b>% of Rated Load</b>	<b>25</b>	<b>50</b>	<b>75</b>	<b>100</b>	<b>125</b>	<b>150</b>	<b>S.F.</b>
<b>Power Factor</b>	34	51	63	70	73	75	72
<b>Efficiency</b>	81.5	89.5	90	89.7	88.7	87.7	89.1
<b>Speed</b>	1193	1187	1179	1171	1163	1153	1166
<b>Line amperes</b>	4.42	5.17	6.31	7.56	9.04	10.6	8.45

Performance Graph at 460V, 60Hz, 5.0HP Typical performance - Not guaranteed values





07LYL783



PULLEY END DETAIL

CUSTOMER IS RESPONSIBLE FOR DETERMINING THAT BALDOR'S PRODUCT WILL PERFORM SUITABLY IN THE INTENDED APPLICATION.

REV. DESC: CHANGED SHAFT TO 07SH1E10		
REV. LTR: A	VERSION: 01	TDR: 000000859913
FILE: \AAA\00180\432	REVISED: 12:28:48 06/25/2014	BY: ENCHALO
MTL: -		

**BALDOR**

HORZ 213-5T TEFC M, LOCKED BRG, INTERNAL AEGIS SHAFT GROUND

SH 1 of 1

07LYL783

CD0005

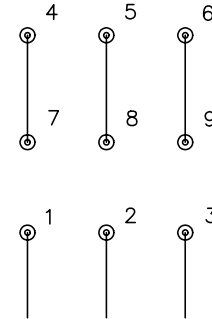


LOW VOLTAGE  
(2Y)



LINE

HIGH VOLTAGE  
(1Y)



LINE

NOTES:

1. INTERCHANGE ANY TWO LINE LEADS TO REVERSE ROTATION.
2. OPTIONAL THERMOSTATS ARE PROVIDED WHEN SPECIFIED.
3. ACTUAL NUMBER OF INTERNAL PARALLEL CIRCUITS MAY BE A MULTIPLE OF THOSE SHOWN ABOVE.
4. LEAD COLORS ARE OPTIONAL. LEADS MUST ALWAYS BE NUMBERED AS SHOWN.

REV. DESC: REVISE TO SHOW OPTIONAL COLORS			
REV. LTR: E	BY: JLP	REVISED: 01/19/99 10:15	TDR: 0171435
9000D		FILE: AAA00005140	MDL: -
		MTL: -	

**BALDOR ELECTRIC Co.**

3PH, DV, 9 LEADS

CD0005

Marketing maintained PDF of MN416:

<http://www.baldor.com/support/Literature/Load.ashx/MN416?ManNumber=MN416>