

BALDOR® • RELIANCE 

Product Information Packet

EM3769T

7.5HP,3500RPM,3PH,60HZ,213T,0724M,TEFC,F

Part Detail							
Revision:	A	Status:	PRD/A	Change #:		Proprietary:	No
Type:	AC	Elec. Spec:	07WGT514	CD Diagram:	CD0005	Mfg Plant:	
Mech. Spec:	07H002	Layout:	07LYH002	Poles:	02	Created Date:	01-05-2021
Base:	RG	Eff. Date:	06-14-2021	Leads:	9#14		

Specs			
Catalog Number:	EM3769T	Insulation Class:	F
Enclosure:	TEFC	Inverter Code:	Inverter Ready
Frame:	213T	KVA Code:	H
Frame Material:	Iron	Lifting Lugs:	Standard Lifting Lugs
Output @ Frequency:	7.500 HP @ 60 HZ	Locked Bearing Indicator:	No Locked Bearing
Synchronous Speed @ Frequency:	3600 RPM @ 60 HZ	Motor Lead Quantity/Wire Size:	9 @ 14 AWG
Voltage @ Frequency:	460.0 V @ 60 HZ	Motor Lead Exit:	Ko Box
	230.0 V @ 60 HZ	Motor Lead Termination:	Flying Leads
XP Class and Group:	None	Motor Type:	0724M
XP Division:	Not Applicable	Mounting Arrangement:	F1
Agency Approvals:	CSA	Power Factor:	84
	CSA EEV	Product Family:	General Purpose
	UR	Pulley End Bearing Type:	Ball
Auxillary Box:	No Auxillary Box	Pulley Face Code:	Standard
Auxillary Box Lead Termination:	None	Pulley Shaft Indicator:	Standard
Base Indicator:	Rigid	Rodent Screen:	None
Bearing Grease Type:	Polyrex EM (-20F +300F)	RoHS Status:	ROHS COMPLIANT
Blower:	None	Shaft Extension Location:	Pulley End

Current @ Voltage:	18.400 A @ 230.0 V	Shaft Ground Indicator:	No Shaft Grounding
	9.200 A @ 460.0 V	Shaft Rotation:	Reversible
Design Code:	B	Shaft Slinger Indicator:	No Slinger
Drip Cover:	No Drip Cover	Speed Code:	Single Speed
Duty Rating:	CONT	Motor Standards:	NEMA
Electrically Isolated Bearing:	Not Electrically Isolated	Starting Method:	Direct on line
Feedback Device:	NO FEEDBACK	Thermal Device - Bearing:	None
Front Face Code:	Standard	Thermal Device - Winding:	None
Front Shaft Indicator:	None	Vibration Sensor Indicator:	No Vibration Sensor
Heater Indicator:	No Heater	Winding Thermal 1:	None
		Winding Thermal 2:	None

Nameplate NP3441LUA

CAT.NO.	EM3769T				
SPEC	07H002T514G1				
HP	7.5				
VOLTS	230/460				
AMPS	18.4/9.2				
RPM	3500				
FRAME	213T		HZ	60	PH 3
SF	1.15		CODE	H	DES B
NEMA NOM. EFF	89.5		PF	84	CLASS F
RATING	40C AMB-CONT				
CC	010A		USABLE AT 208V		
ENCL	TEFC		SER		
DE	6307		ODE	6206	
VPWM INVERTER READY					
CT6-60H(10:1)VT3-60H(20:1)					

Parts List		
Part Number	Description	Quantity
SA389295	SA 07H002T514G1	1.000 EA
RA379671	RA 07H002T514G1	1.000 EA
36FN3000C02SP	EXFN, PLASTIC, 5.25 OD, 1.175 ID	1.000 EA
HW3201A05	3/8-16 EYEBOLT	1.000 EA
09CB3002SP	CB W/1.38 LEAD HOLE FOR 37, 39, 307 & 30	1.000 EA
09GS1000SP	GASKET-CONDUIT BOX, 1/16 THICK LEXIDE	1.000 EA
51XW2520A12	.25-20 X .75, TAPTITE II, HEX WSHR SLTD	2.000 EA
WD1000B16	T&B CX70TN OR L70P TERMINAL LUG	1.000 EA
59XW2520G07	.25-20X.44,HEX SER WSHR,TAPTITE 2,GREEN	1.000 EA
37EP1100A41	FR ENDPLATE ASSEMBLY FOR ROUTING	1.000 EA
HW4500A17	317400 ALEMITE GREASE RELIEF	1.000 EA
HW4500A01	1641B(ALEMITE)400 UNIV, GREASE FITT	1.000 EA
HW5100A06	W2420-025 WVY WSHR (WB)	1.000 EA
37PE1101A22	PU ENDPLATE ASSEMBLY FOR ROUTING	1.000 EA
HW4500A17	317400 ALEMITE GREASE RELIEF	1.000 EA
HW4500A01	1641B(ALEMITE)400 UNIV, GREASE FITT	1.000 EA
XY3118A12	5/16-18 HEX NUT DIRECTIONAL SERRATION	4.000 EA
07FH4007SP	PRIMED	1.000 EA
51XW1032A06	10-32 X .38, TAPTITE II, HEX WSHR SLTD S	3.000 EA
09CB3501SP	CONDUIT BOX LID FOR 09CB3001 & 09CB3002	1.000 EA
09GS1013SP	GS FOR 09CB3501, 12CB1500 & 12CB1503 LID	1.000 EA
51XW2520A12	.25-20 X .75, TAPTITE II, HEX WSHR SLTD	2.000 EA
HW2501F21	KEY, 5/16 SQ X 2.375	1.000 EA
HA7000A02	KEY RETAINER RING, 1 1/8 DIA, 1 3/8 DIA	1.000 EA

Parts List (continued)		
Part Number	Description	Quantity
LB1115N	LABEL,LIFTING DEVICE (ON ROLLS)	1.000 EA
85XU0407S04	4X1/4 U DRIVE PIN STAINLESS	2.000 EA
MJ1000A02	GREASE, MOBIL POLYREX EM - 124047	0.050 LB
MG1000Y03	MUNSELL 2.53Y 6.70/ 4.60, GLOSS 20,	0.036 GA
HA3104A32	THRUBOLT- 5/16-18 X12.750	4.000 EA
51XB1214A20	12-14X1.25 HXWSSLD SERTYB	1.000 EA
LC0005E01	CONN.DIA./WARNING LABEL (LC0005/LB1119N)	1.000 EA
NP3441LUA	ALUM SUPER-E VPWM INV READY UL CSA-EEV C	1.000 EA
07PA1011	PKG GRP, 07 CAST IRON PK1181	1.000 EA
MN416A01	TAG-INSTAL-MAINT no wire (2100/bx) 4/22	1.000 EA

Accessories		
Part Number	Description	Multiplier
37-1304	C FACE KIT	A8

AC Induction Motor Performance Data

Record # 86050

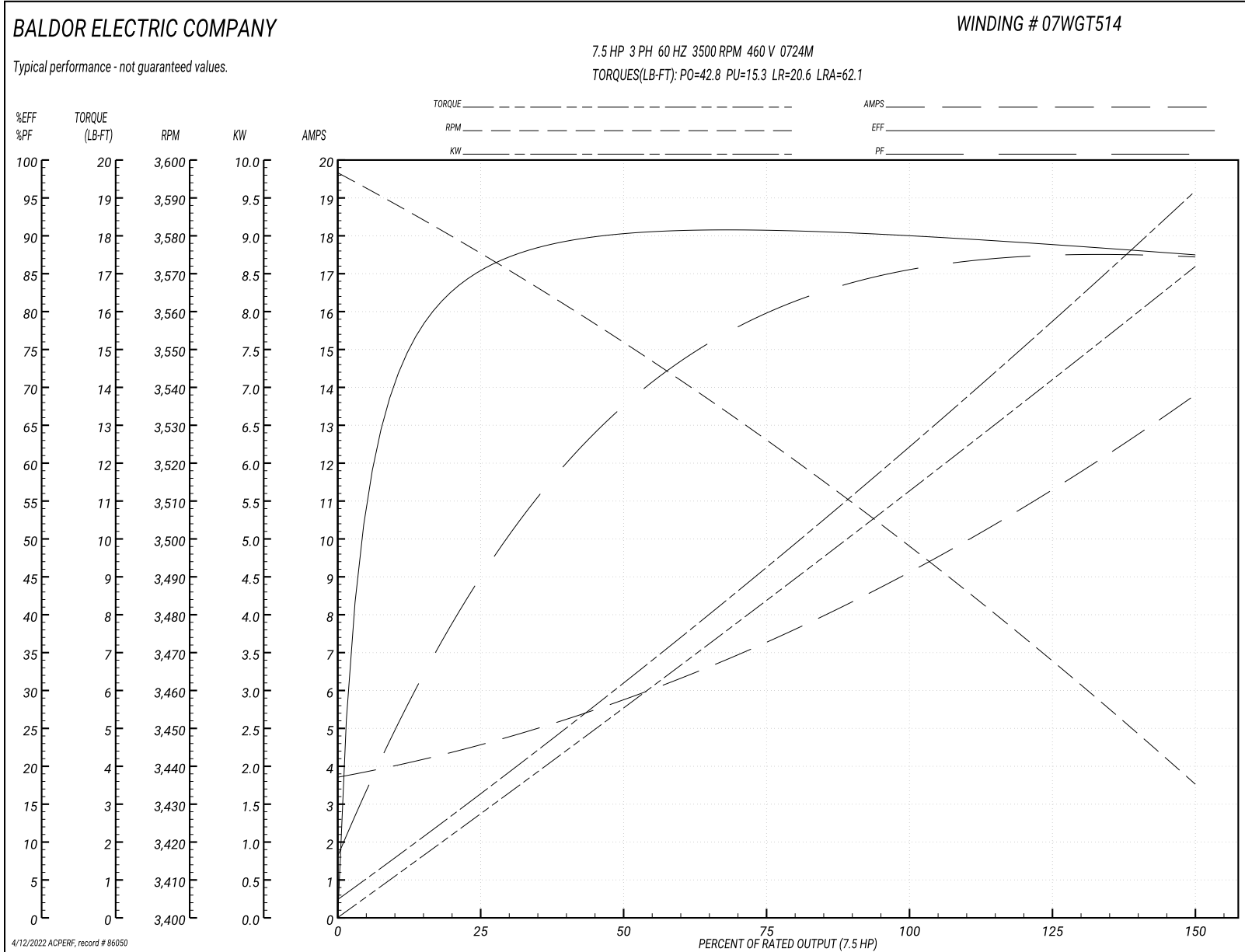
Preliminary Data Sheet

Winding: 07WGT514-R001		Type: 0724M		Enclosure: TEFC	
Nameplate Data			460 V, 60 Hz: High Voltage Connection		
Rated Output (HP)	7.5	Full Load Torque		11.3 LB-FT	
Volts	230/460	Start Configuration		direct on line	
Full Load Amps	18.4/9.2	Breakdown Torque		42.8 LB-FT	
R.P.M.	3500	Pull-up Torque		15.3 LB-FT	
Hz	60 Phase	3	Locked-rotor Torque		20.6 LB-FT
NEMA Design Code	B KVA Code	H	Starting Current		62.1 A
Service Factor (S.F.)		1.15	No-load Current		3.85 A
NEMA Nom. Eff.	89.5 Power Factor	84	Line-line Res. @ 25°C		1.57 Ω
Rating - Duty		40C AMB-CONT	Temp. Rise @ Rated Load		62°C
S.F. Amps		20.6/10.3	Temp. Rise @ S.F. Load		82°C
			Locked-rotor Power Factor		43
			Rotor inertia		0.219 lb-ft ²

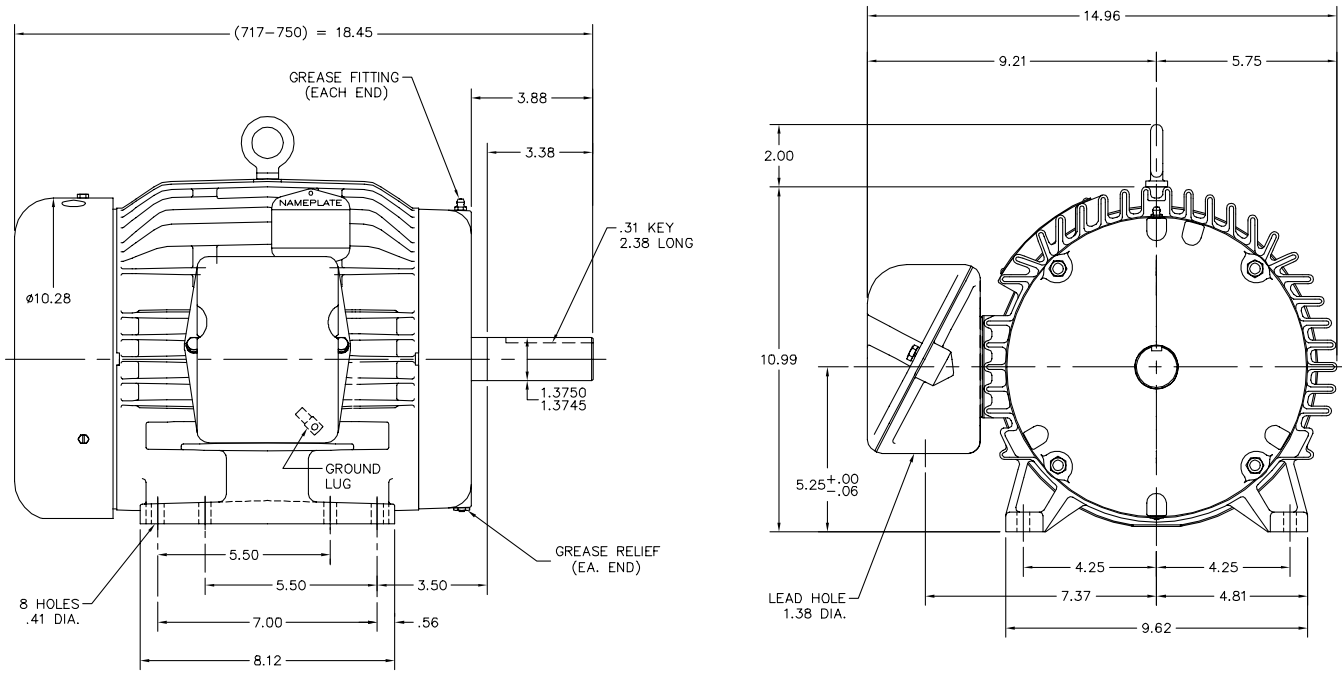
Load Characteristics 460 V, 60 Hz, 7.5 HP

% of Rated Load	25	50	75	100	125	150	S.F.
Power Factor	47	69	79	84	87	88	86
Efficiency	83.9	89.3	90.1	89.7	88.6	87	89.1
Speed	3575	3552	3526	3498	3468	3435	3483
Line amperes	4.39	5.65	7.32	9.24	11.4	13.7	10.3

Performance Graph at 460V, 60Hz, 7.5HP Typical performance - Not guaranteed values



07LYH002



07LYH002

CUSTOMER IS RESPONSIBLE FOR DETERMINING THAT BALDOR'S PRODUCT WILL PERFORM SUITABLY IN THE INTENDED APPLICATION.

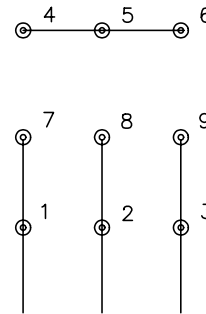
REV. DESC: REMOVE SUPER LABEL ON KOBX	VERSION: 01	TDR: 000000895363
REV. LTR: P	REVISD: 09:58:42 03/04/2015	BY: ENALEMO
FILE: \AAA\00016\291		
MTL: -		

BALDOR
 HORZ 213-5T TEFC 307M
 SH 1 of 1

CD0005

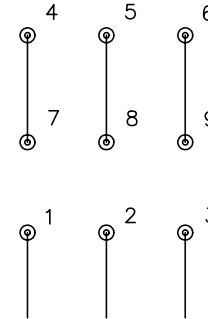


LOW VOLTAGE
(2Y)



LINE

HIGH VOLTAGE
(1Y)



LINE

NOTES:

1. INTERCHANGE ANY TWO LINE LEADS TO REVERSE ROTATION.
2. OPTIONAL THERMOSTATS ARE PROVIDED WHEN SPECIFIED.
3. ACTUAL NUMBER OF INTERNAL PARALLEL CIRCUITS MAY BE A MULTIPLE OF THOSE SHOWN ABOVE.
4. LEAD COLORS ARE OPTIONAL. LEADS MUST ALWAYS BE NUMBERED AS SHOWN.

REV. DESC: REVISE TO SHOW OPTIONAL COLORS

REV. LTR: E BY: JLP

REVISED: 01/19/99 10:15

TDR: 0171435

900003

FILE: AAA00005140

MDL: -

MTL: -

BALDOR ELECTRIC Co.

3PH, DV, 9 LEADS

CD0005

Marketing maintained PDF of MN416:

<http://www.baldor.com/support/Literature/Load.ashx/MN416?ManNumber=MN416>