

BALDOR® • RELIANCE 

Product Information Packet

EM3771T-G

10HP,3490RPM,3PH,60HZ,215T,TEFC,F1

Part Detail							
Revision:	D	Status:	PRD/A	Change #:		Proprietary:	No
Type:	AC	Elec. Spec:	07WGY855	CD Diagram:	CD0005	Mfg Plant:	
Mech. Spec:		Layout:	07LYL783	Poles:	02	Created Date:	04-12-2019
Base:		Eff. Date:	04-13-2021	Leads:	9#14		

Specs			
Catalog Number:	EM3771T-G	Feedback Device:	NO FEEDBACK
Enclosure:	TEFC	Heater Indicator:	No Heater
Frame:	215T	Insulation Class:	H
Frame Material:	Iron	Inverter Code:	Inverter Ready
Output @ Frequency:	10.000 HP @ 60 HZ	IP Rating:	NONE
Synchronous Speed @ Frequency:	3600 RPM @ 60 HZ	KVA Code:	G
Voltage @ Frequency:	460.0 V @ 60 HZ	Lifting Lugs:	Standard Lifting Lugs
	230.0 V @ 60 HZ	Locked Bearing Indicator:	Locked Bearing
XP Class and Group:	None	Motor Lead Termination:	Flying Leads
XP Division:	Not Applicable	Motor Type:	0730M
Agency Approvals:	CSA	Mounting Arrangement:	F1
	CSA EEV	Power Factor:	87
	UR	Product Family:	General Purpose
Auxillary Box:	No Auxillary Box	Pulley Face Code:	Standard
Auxillary Box Lead Termination:	None	Rodent Screen:	None
Base Indicator:	Rigid	Shaft Ground Indicator:	Shaft Grounding
Bearing Grease Type:	Polyrex EM (-20F +300F)	Shaft Rotation:	Reversible
Blower:	None	Speed Code:	Single Speed

Current @ Voltage:	24.800 A @ 208.0 V	Motor Standards:	NEMA
	23.600 A @ 230.0 V	Starting Method:	Direct on line
	11.800 A @ 460.0 V	Thermal Device - Bearing:	None
Design Code:	B	Thermal Device - Winding:	None
Drip Cover:	No Drip Cover	Vibration Sensor Indicator:	No Vibration Sensor
Duty Rating:	CONT	Winding Thermal 1:	None
Electrically Isolated Bearing:	Not Electrically Isolated	Winding Thermal 2:	None

Nameplate NP3441LUA										
CAT.NO.	EM3771T-G									
SPEC	07-0000-0087									
HP	10									
VOLTS	230/460									
AMPS	23.6/11.8									
RPM	3490									
FRAME	215T				HZ	60			PH	3
SF	1.15		CODE	G	DES	B		CLASS	H	
NEMA NOM. EFF	90.2		PF	87						
RATING	40C AMB-CONT									
CC	010A			USABLE AT 208V						24.8
ENCL	TEFC		SER							
DE	6307			ODE	6206					
VPWM INVERTER READY										
CT6-60H(10:1)VT3-60H(20:1)	50HZ 10HP 190/380V 27.8/13.9A									
										SF1.0

Parts List		
Part Number	Description	Quantity
SA368440	SA 07-0000-0087	1.000 EA
RA357951	RA 07-0000-0087	1.000 EA
LB1115N	LABEL,LIFTING DEVICE (ON ROLLS)	1.000 EA
LC0005E01	CONN.DIA./WARNING LABEL (LC0005/LB1119N)	1.000 EA
NP3441LUA	ALUM SUPER-E VPWM INV READY UL CSA-EEV C	1.000 EA
85XU0407S04	4X1/4 U DRIVE PIN STAINLESS	2.000 EA
MN416A01	TAG-INSTAL-MAINT no wire (2100/bx) 4/22	1.000 EA
HW3201A05	3/8-16 EYEBOLT	1.000 EA
07FH4007SP	PRIMED	1.000 EA
51XW1032A06	10-32 X .38, TAPTITE II, HEX WSHR SLTD S	3.000 EA
36FN3000C02SP	EXFN, PLASTIC, 5.25 OD, 1.175 ID	1.000 EA
51XB1214A16	12-14X1.00 HXWSSLD SERTYB	1.000 EA
MJ1000A02	GREASE, MOBIL POLYREX EM - 124047	0.050 LB
HA3104A32	THRUBOLT- 5/16-18 X12.750	4.000 EA
LB1459	AEGIS SGR LABEL "AEGISLBL-100"	1.000 EA
XY3118A12	5/16-18 HEX NUT DIRECTIONAL SERRATION	4.000 EA
37EP1100A01	FR ENDPLATE MACH	1.000 EA
HW5100A06	W2420-025 WVY WSHR (WB)	1.000 EA
HW4500A01	1641B(ALEMITE)400 UNIV, GREASE FITT	1.000 EA
37EP1101A09	SPL PULLEY EP ENCL 37 307 BRG.	1.000 EA
10XN2520A26	1/4-20X 1 5/8 HEX HD	4.000 EA
HW1001A25	LOCKWASHER 1/4, ZINC PLT .493 OD, .255 I	4.000 EA
HW4500A01	1641B(ALEMITE)400 UNIV, GREASE FITT	1.000 EA
09CB3002SP	CB W/1.38 LEAD HOLE FOR 37, 39, 307 & 30	1.000 EA

Parts List (continued)		
Part Number	Description	Quantity
09GS1000SP	GASKET-CONDUIT BOX, 1/16 THICK LEXIDE	1.000 EA
51XW2520A12	.25-20 X .75, TAPTITE II, HEX WSHR SLTD	2.000 EA
WD1000B16	T&B CX70TN OR L70P TERMINAL LUG	1.000 EA
59XW2520G07	.25-20X.44,HEX SER WSHR,TAPTITE 2,GREEN	1.000 EA
09CB3501SP	CONDUIT BOX LID FOR 09CB3001 & 09CB3002	1.000 EA
09GS1013SP	GS FOR 09CB3501, 12CB1500 & 12CB1503 LID	1.000 EA
51XW2520A12	.25-20 X .75, TAPTITE II, HEX WSHR SLTD	2.000 EA
MG1000Y03	MUNSELL 2.53Y 6.70/ 4.60, GLOSS 20,	0.022 GA
07PA1011	PKG GRP, 07 CAST IRON PK1181	1.000 EA
10XL3808A28	3/8 X 1 3/4" LAG SCREW	2.000 EA
HW2501F21	KEY, 5/16 SQ X 2.375	1.000 EA
HA7000A02	KEY RETAINER RING, 1 1/8 DIA, 1 3/8 DIA	1.000 EA

AC Induction Motor Performance Data

Record # 69610

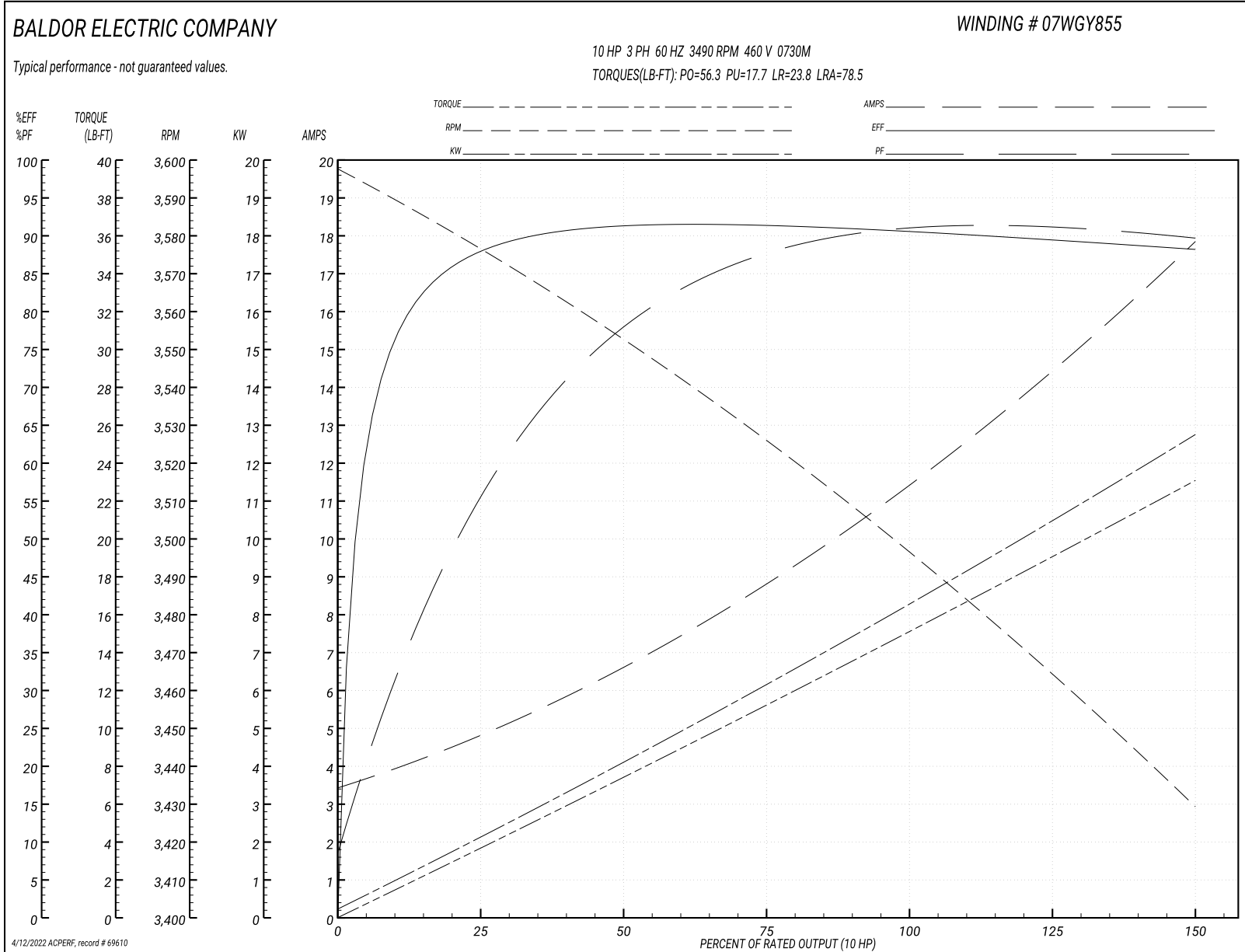
Typical performance - not guaranteed values

Winding: 07WGY855-R014		Type: 0730M	Enclosure: TEFC	
Nameplate Data			460 V, 60 Hz: High Voltage Connection	
Rated Output (HP)	10	Full Load Torque	15.1 LB-FT	
Volts	230/460	Start Configuration	direct on line	
Full Load Amps	23.6/11.8	Breakdown Torque	56.3 LB-FT	
R.P.M.	3490	Pull-up Torque	17.7 LB-FT	
Hz	60 Phase	Locked-rotor Torque	23.8 LB-FT	
NEMA Design Code	B KVA Code	Starting Current	78.5 A	
Service Factor (S.F.)	1.15	No-load Current	3.65 A	
NEMA Nom. Eff.	90.2 Power Factor	Line-line Res. @ 25°C	1.05 Ω	
Rating - Duty	40C AMB-CONT	Temp. Rise @ Rated Load	63°C	
S.F. Amps		Temp. Rise @ S.F. Load	79°C	
		Locked-rotor Power Factor	33.7	
		Rotor inertia	0.273 LB-FT ²	

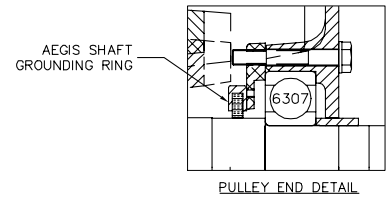
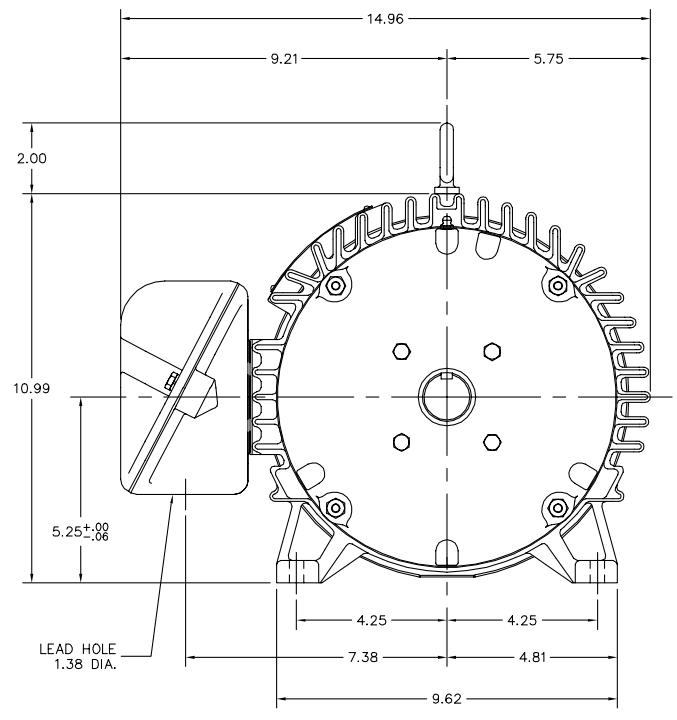
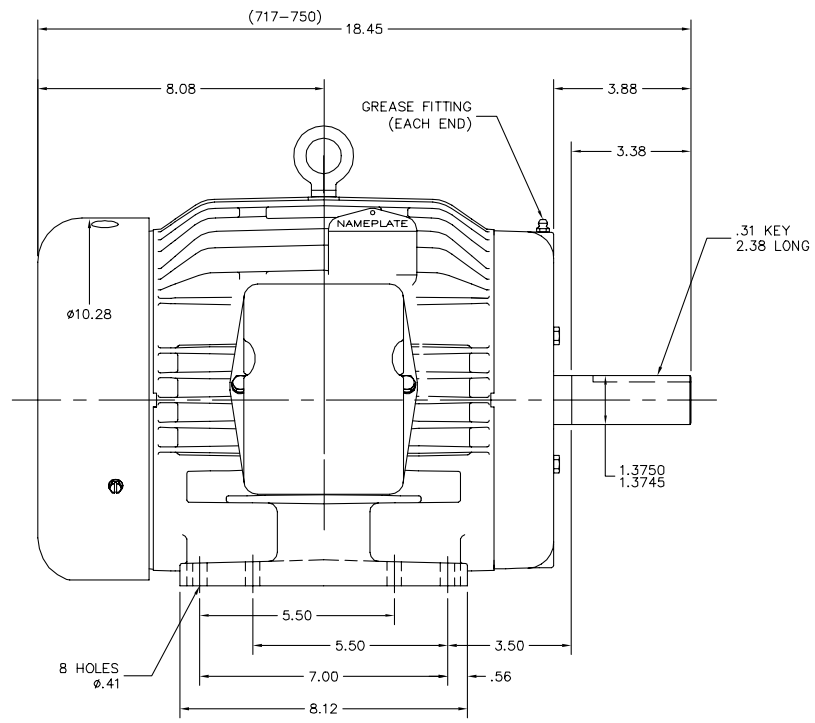
Load Characteristics 460 V, 60 Hz, 10 HP

% of Rated Load	25	50	75	100	125	150	S.F.
Power Factor	60	80	87	90	90	90	90
Efficiency	88	91.4	91.3	90.5	89.5	88.2	89.9
Speed	3576	3551	3525	3497	3465	3429	3478
Line amperes	4.55	6.56	8.97	11.6	14.5	17.7	13.3

Performance Graph at 460V, 60Hz, 10.0HP Typical performance - Not guaranteed values



07LYL783



PULLEY END DETAIL

CUSTOMER IS RESPONSIBLE FOR DETERMINING THAT BALDOR'S PRODUCT WILL PERFORM SUITABLY IN THE INTENDED APPLICATION.

REV. DESC: CHANGED SHAFT TO 07SH1E10	VERSION: 01	TDR: 000000859913
REV. LTR: A	REVISOR: ENCHALO	BY: ENCHALO
FILE: \AAA\00180\432	REVISED: 12:28:48 06/25/2014	MTL: -

BALDOR

HORZ 213-5T TEFC M, LOCKED BRG, INTERNAL AEGIS SHAFT GROUND

SH 1 of 1

07LYL783

CD0005



LOW VOLTAGE
(2Y)



LINE

HIGH VOLTAGE
(1Y)



LINE

NOTES:

1. INTERCHANGE ANY TWO LINE LEADS TO REVERSE ROTATION.
2. OPTIONAL THERMOSTATS ARE PROVIDED WHEN SPECIFIED.
3. ACTUAL NUMBER OF INTERNAL PARALLEL CIRCUITS MAY BE A MULTIPLE OF THOSE SHOWN ABOVE.
4. LEAD COLORS ARE OPTIONAL. LEADS MUST ALWAYS BE NUMBERED AS SHOWN.

REV. DESC: REVISE TO SHOW OPTIONAL COLORS

REV. LTR: E BY: JLP

REVISED: 01/19/99 10:15

TDR: 0171435

9000D

FILE: AAA00005140

MDL: -

MTL: -

BALDOR ELECTRIC Co.

3PH, DV, 9 LEADS

CD0005

Marketing maintained PDF of MN416:

<http://www.baldor.com/support/Literature/Load.ashx/MN416?ManNumber=MN416>