

BALDOR® • RELIANCE 

Product Information Packet

EM4100T

15HP,1175RPM,3PH,60HZ,284T,1046M,TEFC,F1

Part Detail							
Revision:	X	Status:	PRD/A	Change #:		Proprietary:	No
Type:	AC	Elec. Spec:	10WGY561	CD Diagram:	CD0180	Mfg Plant:	
Mech. Spec:	10C151	Layout:	10LYC151	Poles:	06	Created Date:	05-17-2010
Base:	RG	Eff. Date:	02-21-2022	Leads:	9#10		

Specs			
Catalog Number:	EM4100T	Heater Indicator:	No Heater
Enclosure:	TEFC	Insulation Class:	F
Frame:	284T	Inverter Code:	Not Inverter
Frame Material:	Iron	KVA Code:	H
Output @ Frequency:	15.000 HP @ 60 HZ	Lifting Lugs:	Standard Lifting Lugs
Synchronous Speed @ Frequency:	1200 RPM @ 60 HZ	Locked Bearing Indicator:	Locked Bearing
Voltage @ Frequency:	460.0 V @ 60 HZ	Motor Lead Quantity/Wire Size:	9 @ 10 AWG
	230.0 V @ 60 HZ	Motor Lead Exit:	Ko Box
XP Class and Group:	None	Motor Lead Termination:	Flying Leads
XP Division:	Not Applicable	Motor Type:	1046M
Agency Approvals:	UR	Mounting Arrangement:	F1
	CSA EEV	Power Factor:	73
	CSA	Product Family:	General Purpose
Auxillary Box:	No Auxillary Box	Pulley End Bearing Type:	Ball
Auxillary Box Lead Termination:	None	Pulley Face Code:	Standard
Base Indicator:	Rigid	Pulley Shaft Indicator:	Standard
Bearing Grease Type:	Polyrex EM (-20F +300F)	Rodent Screen:	None
Blower:	None	Shaft Extension Location:	Pulley End

Current @ Voltage:	21.000 A @ 460.0 V	Shaft Ground Indicator:	No Shaft Grounding
	42.000 A @ 208.0 V	Shaft Rotation:	Reversible
	42.000 A @ 230.0 V	Shaft Slinger Indicator:	Shaft Slinger
Design Code:	A	Speed Code:	Single Speed
Drip Cover:	No Drip Cover	Motor Standards:	NEMA
Duty Rating:	CONT	Starting Method:	Direct on line
Electrically Isolated Bearing:	Not Electrically Isolated	Thermal Device - Bearing:	None
Feedback Device:	NO FEEDBACK	Thermal Device - Winding:	None
Front Face Code:	Standard	Vibration Sensor Indicator:	No Vibration Sensor
Front Shaft Indicator:	None	Winding Thermal 1:	None
		Winding Thermal 2:	None

Nameplate NP3443LUA											
CAT.NO.	EM4100T			CUST. P/N				ENCL	TEFC		
SPEC.	10C151Y561G1		CC	010A		FRAME	284T		SER.NO.		
HP	15		CLASS	F		HZ	60				
R.P.M.	1175		PH.	3		DES.	A				
VOLTS	230/460			CODE	H		ODE BRG	6309		DE BRG	6311
AMPS	42/21			USABLE AT 208V	42						
RATING	40C AMB-CONT			NEMA NOM. EFF.	91.7		GREASE	POLYREX EM			
P.F.	73		SER.F.	1.15		CT6-60H(10:1)VT3-60H(20:1)					
USABLE AT	50Hz 15HP 190/380V 48/24A				SF1.0						
VOLTS			AMPS			MAX. SPACE HEATER TEMP.					

Parts List		
Part Number	Description	Quantity
SA196018	SA 10C151Y561G1	1.000 EA
RA183433	RA 10C151Y561G1	1.000 EA
09FN3001B02	EXTERNAL FAN, PLASTIC (COMES W/SCREW FRO	1.000 EA
10CB3000SP	KOBX, CAST W/2.00 LEAD HOLE	1.000 EA
09GS1000SP	GASKET-CONDUIT BOX, 1/16 THICK LEXIDE	1.000 EA
10XN3118K12	5/16-18 X .75 GRADE 5, ZINC PLATED	4.000 EA
HW1001A31	LOCKWASHER 5/16, ZINC PLT.591 OD, .319 I	4.000 EA
WD1000B25	GND LUG, BURNDY L125HP OR T&B L125HP-BB	1.000 EA
19XW3118G08	.31-18X.50,HEX WSHR HD,TAPTITE 2,GREEN	1.000 EA
10EP1106A01	FR ENDPLATE, MACH	1.000 EA
10XN3816K32	BOLT, 3/8-16X2 HH YZ(5)	4.000 EA
HA4017A01	1/8 X 4 GREASE EXT (F/S)	1.000 EA
HW1001A38	LOCKWASHER 3/8, ZINC PLT .688 OD, .382 I	4.000 EA
HW5100A11	W3917-042 WVY WSHR (WB)	1.000 EA
10XN2520K32	1/4-20 X 2.00 HX HD SCRW GRADE 5, ZINC P	2.000 EA
HW1001A25	LOCKWASHER 1/4, ZINC PLT .493 OD, .255 I	2.000 EA
10XN3118K40	5/16-18 X 2.50" HEX HD, GRADE 5	4.000 EA
HW1001A31	LOCKWASHER 5/16, ZINC PLT.591 OD, .319 I	4.000 EA
10EP1105A01	PU ENDPLATE	1.000 EA
10XN3816K28	3/8-16 X 1.75 HEX HD CAP SCREW, GRADE 5	4.000 EA
HW1001A38	LOCKWASHER 3/8, ZINC PLT .688 OD, .382 I	4.000 EA
10FH4000	310 FAN HOUSING STAMPED	1.000 EA
51XF2520A08	SCREW, HEX SER SLT HD, ZN 1/4-20 X .50 L	4.000 EA
10CB3500SP	CONDUIT BOX LID, CAST	1.000 EA

Parts List (continued)		
Part Number	Description	Quantity
10GS1000SP	GASKET, CONDUIT BOX LID	1.000 EA
51XW2520A12	.25-20 X .75, TAPTITE II, HEX WSHR SLTD	4.000 EA
HW4600B40	V-RING SLINGER 2.000 X 2.680 X .28 VITON	1.000 EA
HW2501H28	KEY, 1/2 SQ X 3.250	1.000 EA
MN416A01	TAG-INSTAL-MAINT no wire (2100/bx) 4/22	1.000 EA
LB1115N	LABEL,LIFTING DEVICE (ON ROLLS)	1.000 EA
HA4051A00	PLASTIC CAP FOR GREASE FITTING	1.000 EA
HW4500A21	1618BALEMITE FITTING 825 UNIVERSAL	1.000 EA
HW4500A17	317400 ALEMITE GREASE RELIEF	1.000 EA
HA4054	SHORT T-DRAIN FITTING, .125" N.P.T.	1.000 EA
MJ1000A02	GREASE, MOBIL POLYREX EM - 124047	0.130 LB
HA4051A00	PLASTIC CAP FOR GREASE FITTING	1.000 EA
HW4500A03	GREASE FITTING, .125 NPT 1610(ALEMITE) 8	1.000 EA
HW4500A17	317400 ALEMITE GREASE RELIEF	1.000 EA
HA4054	SHORT T-DRAIN FITTING, .125" N.P.T.	1.000 EA
HW2500A25	WOODRUFF KEY USA #1008 #BLOW CARBON STEE	1.000 EA
MG1000Y03	MUNSELL 2.53Y 6.70/ 4.60, GLOSS 20,	0.125 GA
85XU0407S04	4X1/4 U DRIVE PIN STAINLESS	4.000 EA
LB1119N	WARNING LABEL	1.000 EA
LC0181	CONNECTION LABEL	1.000 EA
NP3443LUA	SS SUPER-E UL CSA-EEV PREM CC	1.000 EA
10PA1000	PACKAGING GROUP COMBINED PRINT PK1023A06	1.000 EA
FE-0000022	ZRTG FE ASSEMBLY	1.000 EA
PE-0000013	ZRTG PE ASSEMBLY	1.000 EA

Accessories		
Part Number	Description	Multiplier
10-1305	C FACE KIT	A8
10EP1502A01SP	D-FLANGE KIT	A8

AC Induction Motor Performance Data

Record # 29743

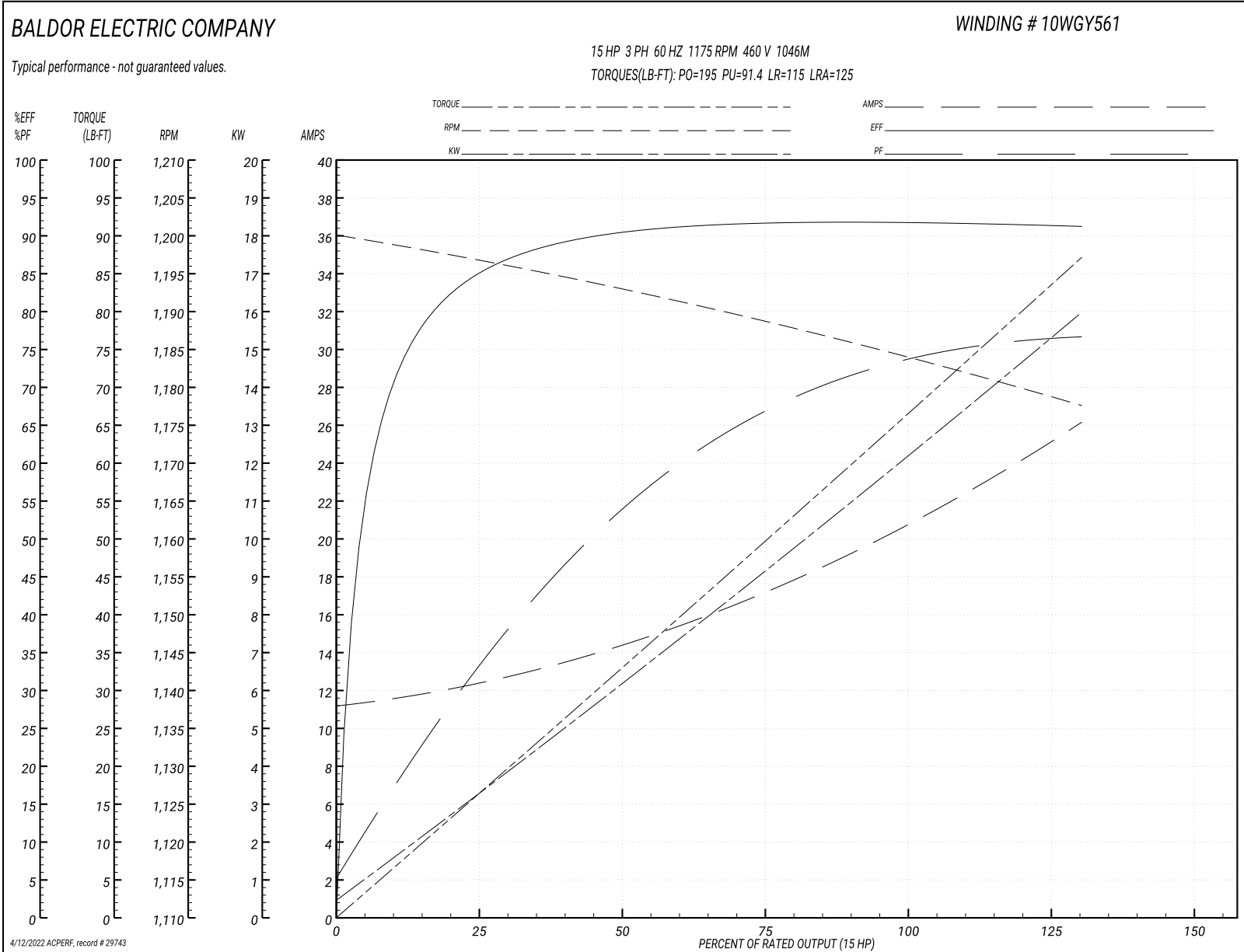
Typical performance - not guaranteed values

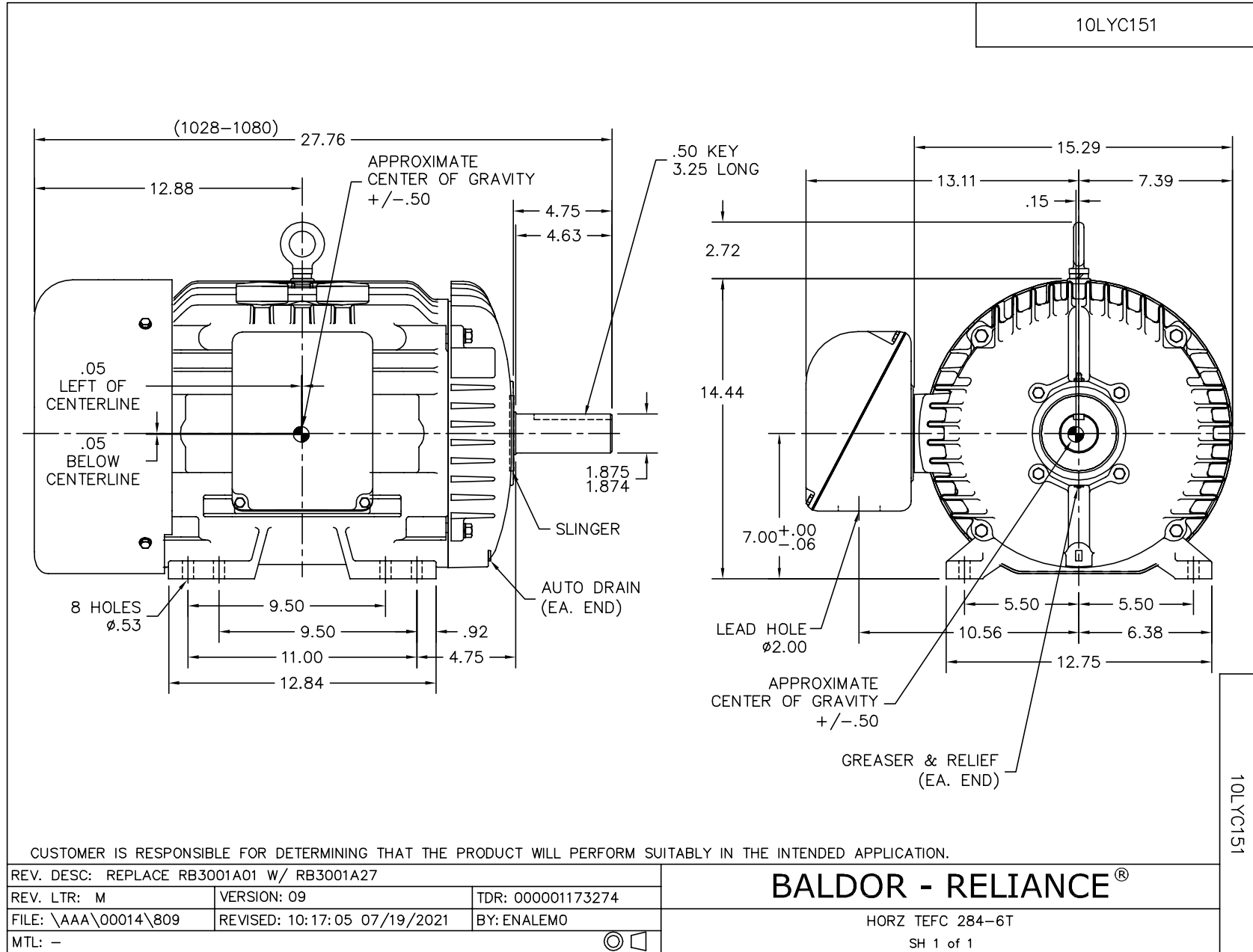
Winding: 10WGY561-R001		Type: 1046M		Enclosure: TEFC	
Nameplate Data			460 V, 60 Hz: High Voltage Connection		
Rated Output (HP)	15	Full Load Torque	66.5 LB-FT		
Volts	230/460	Start Configuration	direct on line		
Full Load Amps	42/21	Breakdown Torque	195 LB-FT		
R.P.M.	1175	Pull-up Torque	91.4 LB-FT		
Hz	60 Phase	3	Locked-rotor Torque	115 LB-FT	
NEMA Design Code	A KVA Code	H	Starting Current	125 A	
Service Factor (S.F.)	1.15	No-load Current	11.3 A		
NEMA Nom. Eff.	91.7 Power Factor	73	Line-line Res. @ 25°C	0.56099 Ω	
Rating - Duty	40C AMB-CONT	Temp. Rise @ Rated Load	49°C		
S.F. Amps		Temp. Rise @ S.F. Load	59°C		
		Locked-rotor Power Factor	33		
		Rotor inertia	5.63 LB-FT ²		

Load Characteristics 460 V, 60 Hz, 15 HP

% of Rated Load	25	50	75	100	125	150	S.F.
Power Factor	34	54	66	73	76	77	75
Efficiency	85	90.6	91.8	92	91.5	91.3	91.7
Speed	1197	1193	1188.7	1183.9	1179	1177.5	1181
Line amperes	12.2	14.3	17.3	20.8	25.1	26.1	23.4

Performance Graph at 460V, 60Hz, 15.0HP Typical performance - Not guaranteed values

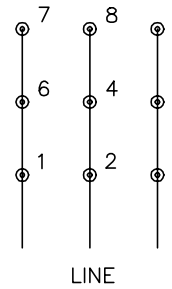




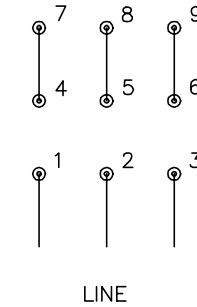
CD0180



LOW VOLTAGE
(2D)



HIGH VOLTAGE
(1D)



NOTES:

1. INTERCHANGE ANY TWO LINE LEADS TO REVERSE ROTATION.
2. OPTIONAL THERMOSTATS ARE PROVIDED WHEN SPECIFIED.
3. ACTUAL NUMBER OF INTERNAL PARALLEL CIRCUITS MAY BE A MULTIPLE OF THOSE SHOWN ABOVE.
4. LEAD COLORS ARE OPTIONAL. LEADS MUST ALWAYS BE NUMBERED AS SHOWN.

CD0180

REV. DESC: ADD CLASS CONN00000007		
REV. LTR: D	VERSION: 01	TDR: 000001099922
FILE: \AAA\00005\148	REVISED: 10:25:29 02/19/2019	BY: ENBRIRO
MTL: -	© □	

BALDOR - RELIANCE®

3PH, DV, 9 LEADS, DELTA CONNECTION

SH 1 of 1

Marketing maintained PDF of MN416:

<http://www.baldor.com/support/Literature/Load.ashx/MN416?ManNumber=MN416>