

**BALDOR® • RELIANCE** 

**Product Information Packet**

**EM4107T**

**25HP,3520RPM,3PH,60HZ,284TS,0944M,TEFC,F**

Part Detail							
Revision:	G	Status:	PRD/A	Change #:		Proprietary:	No
Type:	AC	Elec. Spec:	09WGT577	CD Diagram:	CD0005	Mfg Plant:	
Mech. Spec:	09F629	Layout:	09LYF629	Poles:	02	Created Date:	08-01-2018
Base:	RG	Eff. Date:	02-25-2022	Leads:	9#10		

Specs			
Catalog Number:	EM4107T	Heater Indicator:	No Heater
Enclosure:	TEFC	Insulation Class:	F
Frame:	284TS	Inverter Code:	Inverter Ready
Frame Material:	Iron	KVA Code:	J
Output @ Frequency:	25.000 HP @ 60 HZ	Lifting Lugs:	Standard Lifting Lugs
Synchronous Speed @ Frequency:	3600 RPM @ 60 HZ	Locked Bearing Indicator:	Locked Bearing
Voltage @ Frequency:	460.0 V @ 60 HZ	Motor Lead Quantity/Wire Size:	9 @ 10 AWG
	230.0 V @ 60 HZ	Motor Lead Exit:	Ko Box
XP Class and Group:	None	Motor Lead Termination:	Flying Leads
XP Division:	Not Applicable	Motor Type:	0944M
Agency Approvals:	UR	Mounting Arrangement:	F1
	CSA EEV	Power Factor:	88
	CSA	Product Family:	General Purpose
Auxillary Box:	No Auxillary Box	Pulley End Bearing Type:	Ball
Auxillary Box Lead Termination:	None	Pulley Face Code:	Standard
Base Indicator:	Rigid	Pulley Shaft Indicator:	Standard
Bearing Grease Type:	Polyrex EM (-20F +300F)	Rodent Screen:	None
Blower:	None	Shaft Extension Location:	Pulley End

<b>Current @ Voltage:</b>	29.000 A @ 460.0 V	<b>Shaft Ground Indicator:</b>	No Shaft Grounding
	58.000 A @ 230.0 V	<b>Shaft Rotation:</b>	Reversible
	62.000 A @ 208.0 V	<b>Shaft Slinger Indicator:</b>	Shaft Slinger
<b>Design Code:</b>	A	<b>Speed Code:</b>	Single Speed
<b>Drip Cover:</b>	No Drip Cover	<b>Motor Standards:</b>	NEMA
<b>Duty Rating:</b>	CONT	<b>Starting Method:</b>	Direct on line
<b>Electrically Isolated Bearing:</b>	Not Electrically Isolated	<b>Thermal Device - Bearing:</b>	None
<b>Feedback Device:</b>	NO FEEDBACK	<b>Thermal Device - Winding:</b>	None
<b>Front Face Code:</b>	Standard	<b>Vibration Sensor Indicator:</b>	No Vibration Sensor
<b>Front Shaft Indicator:</b>	None	<b>Winding Thermal 1:</b>	None
		<b>Winding Thermal 2:</b>	None

<b>Nameplate NP3443LUA</b>											
CAT.NO.	EM4107T			CUST. P/N				ENCL	TEFC		
SPEC.	09F629T577G1		CC	010A		FRAME	284TS		SER.NO.		
HP	25		CLASS	F		HZ	60				
R.P.M.	3520		PH.	3		DES.	A				
VOLTS	230/460			CODE	J		ODE BRG	6208		DE BRG	6311
AMPS	58/29			USABLE AT 208V	62						
RATING	40C AMB-CONT			NEMA NOM. EFF.	91.7		GREASE	POLYREX EM			
P.F.	88		SER.F.	1.15		CT6-60H(10:1)VT3-60H(20:1)					
USABLE AT	50HZ 20HP 190/380V 56/28A				SF1.0						
VOLTS			AMPS			MAX. SPACE HEATER TEMP.					

Parts List		
Part Number	Description	Quantity
SA359026	SA 09F629T577G1	1.000 EA
RA348110	RA 09F629T577G1	1.000 EA
37FN3002B02	EXFN, PLASTIC, 7.50 OD, 1.503 ID	1.000 EA
HW1002A63	WASHER, 5/8 HI-COLLAR SPRLCKWASHER	1.000 EA
10CB3000SP	KOBX, CAST W/2.00 LEAD HOLE	1.000 EA
09GS1000SP	GASKET-CONDUIT BOX, 1/16 THICK LEXIDE	1.000 EA
10XN3118K12	5/16-18 X .75 GRADE 5, ZINC PLATED	4.000 EA
HW1001A31	LOCKWASHER 5/16, ZINC PLT.591 OD, .319 I	4.000 EA
WD1000B25	GND LUG, BURNDY L125HP OR T&B L125HP-BB	1.000 EA
19XW3118G08	.31-18X.50,HEX WSHR HD,TAPTITE 2,GREEN	1.000 EA
09EP1100A14	FREP ASSM, (FOR INTRL ROUTING PURPOSE)	1.000 EA
HA3400A33	STUD- 3/8-16 X 4.82 HEX WELKER	4.000 EA
XY3816A12	3/8-16 FINISHED NUT	4.000 EA
HW1001A38	LOCKWASHER 3/8, ZINC PLT .688 OD, .382 I	4.000 EA
HW1001A38	LOCKWASHER 3/8, ZINC PLT .688 OD, .382 I	4.000 EA
HW5100A08	W3118-035 WVY WSHR (WB)	1.000 EA
10XN2520K28	1/4-20 X 1.75" HX HD SCRWGRADE 5, ZINC P	2.000 EA
HW1001A25	LOCKWASHER 1/4, ZINC PLT .493 OD, .255 I	2.000 EA
10XN3118K40	5/16-18 X 2.50" HEX HD, GRADE 5	4.000 EA
HW1001A31	LOCKWASHER 5/16, ZINC PLT.591 OD, .319 I	4.000 EA
09EP1116A01	PU ENDPLATE, MACH	1.000 EA
10XN3816K32	BOLT, 3/8-16X2 HH YZ(5)	4.000 EA
09FH4000SP	309 FH - BLACK PRIMER	1.000 EA
HW1001A38	LOCKWASHER 3/8, ZINC PLT .688 OD, .382 I	4.000 EA

Parts List (continued)		
Part Number	Description	Quantity
10CB3500SP	CONDUIT BOX LID, CAST	1.000 EA
10GS1000SP	GASKET, CONDUIT BOX LID	1.000 EA
51XW2520A12	.25-20 X .75, TAPTITE II, HEX WSHR SLTD	4.000 EA
HW4600B40	V-RING SLINGER 2.000 X 2.680 X .28 VITON	1.000 EA
HW2501G17	KEY, 3/8 SQ X 1.875	1.000 EA
LB1115N	LABEL,LIFTING DEVICE (ON ROLLS)	1.000 EA
HW4500A05	1669B ALEM/UNIV860 GR FTG X	1.000 EA
HW4500A17	317400 ALEMITE GREASE RELIEF	1.000 EA
HA4054	SHORT T-DRAIN FITTING, .125" N.P.T.	1.000 EA
HA4051A00	PLASTIC CAP FOR GREASE FITTING	1.000 EA
MJ1000A02	GREASE, MOBIL POLYREX EM - 124047	0.080 LB
HW4500A03	GREASE FITTING, .125 NPT 1610(ALEMITE) 8	1.000 EA
HW4500A17	317400 ALEMITE GREASE RELIEF	1.000 EA
HA4054	SHORT T-DRAIN FITTING, .125" N.P.T.	1.000 EA
HA4051A00	PLASTIC CAP FOR GREASE FITTING	1.000 EA
HW2500A25	WOODRUFF KEY USA #1008 #BLOW CARBON STEE	1.000 EA
MG1000Y03	MUNSELL 2.53Y 6.70/ 4.60, GLOSS 20,	0.050 GA
85XU0407S04	4X1/4 U DRIVE PIN STAINLESS	4.000 EA
LC0005E01	SPL CONN.DIA./WARN.LABEL(LC0005/LB1119)	1.000 EA
NP3443LUA	SS SUPER-E UL CSA-EEV PREM CC	1.000 EA
40PA1005	PACKAGING GROUP, 09 STD	1.000 EA
MN416A01	TAG-INSTAL-MAINT no wire (2100/bx) 4/22	1.000 EA
LD7020E09	LEAD SET, 10AWG, 9 LEAD, 20" LONG LEADS	1.000 EA

<b>Accessories</b>		
<b>Part Number</b>	<b>Description</b>	<b>Multiplier</b>
09-1310	C FACE KIT	A8

**AC Induction Motor Performance Data**

Record # 72672

Typical performance - not guaranteed values

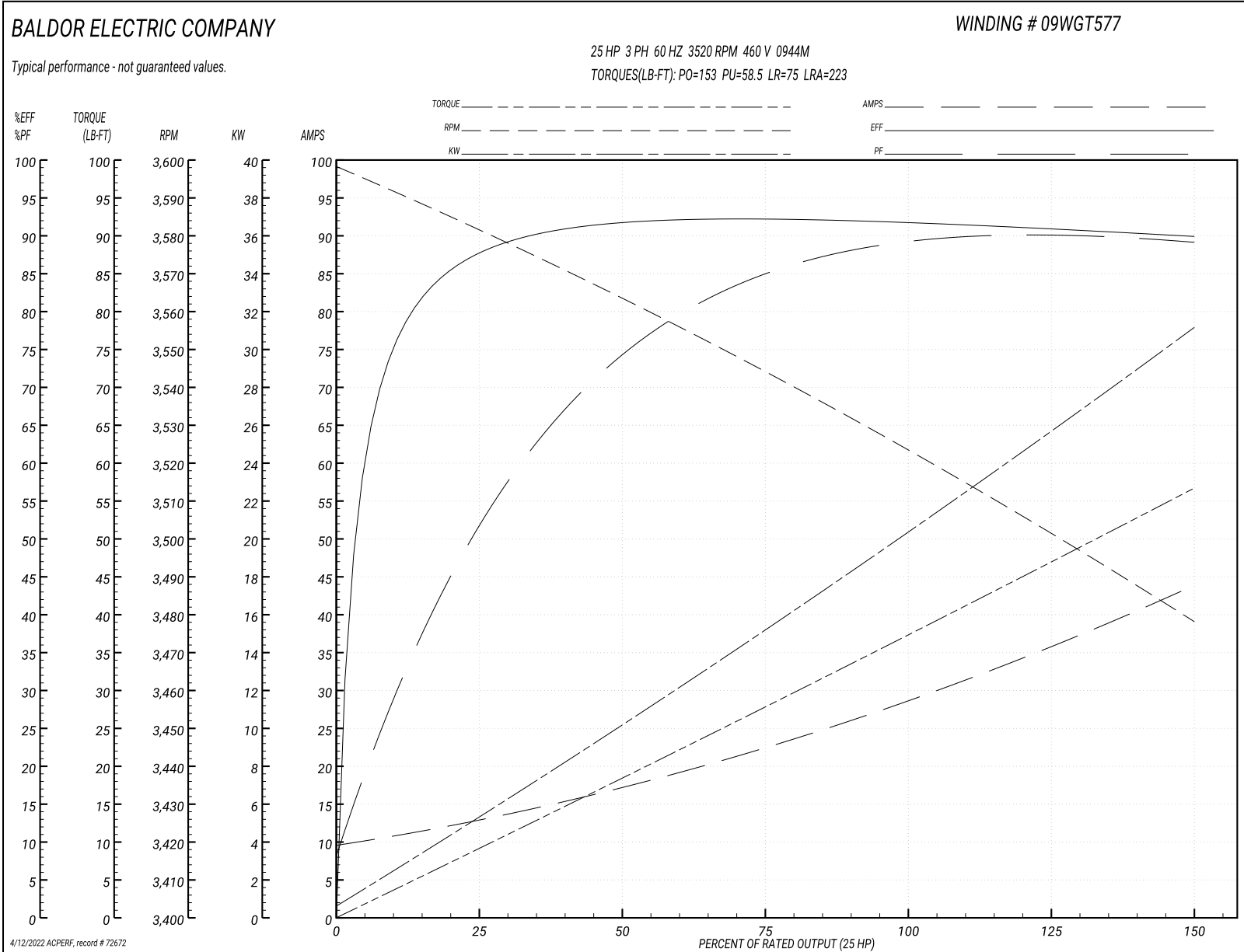
Winding: 09WGT577-R001		Type: 0944M	Enclosure: TEFC
<b>Nameplate Data</b>		<b>460 V, 60 Hz: High Voltage Connection</b>	
Rated Output (HP)	25	Full Load Torque	37.39 LB-FT
Volts	230/460	Start Configuration	direct on line
Full Load Amps	58/29	Breakdown Torque	153 LB-FT
R.P.M.	3520	Pull-up Torque	58.5 LB-FT
Hz	60 Phase	Locked-rotor Torque	75 LB-FT
NEMA Design Code	A KVA Code	Starting Current	223 A
Service Factor (S.F.)	1.15	No-load Current	10.1 A
NEMA Nom. Eff.	91.7 Power Factor	Line-line Res. @ 25°C	0.3381 Ω
Rating - Duty	40C AMB-CONT	Temp. Rise @ Rated Load	74°C
S.F. Amps		Temp. Rise @ S.F. Load	91°C
		Locked-rotor Power Factor	29.7

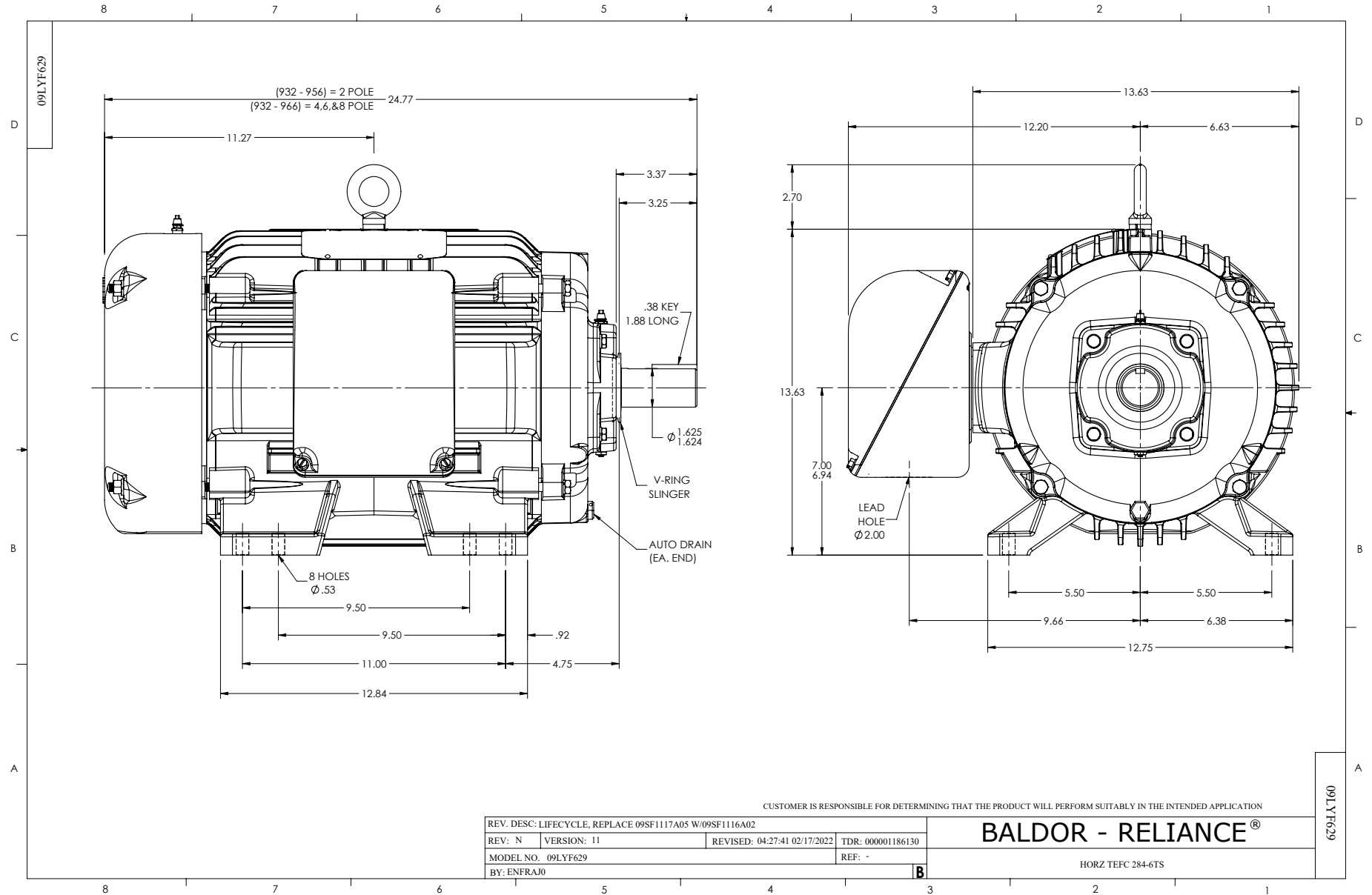
**Load Characteristics 460 V, 60 Hz, 25 HP**

% of Rated Load	25	50	75	100	125	150	S.F.
Power Factor	55	76	84	88	89	90	89
Efficiency	87.6	91.6	92.2	91.8	90.9	89.8	91.3
Speed	3580.5	3562.7	3544.2	3524	3501.4	3477.9	3510
Line amperes	12.3	16.9	22.7	29.1	36.1	43.5	33.3



Performance Graph at 460V, 60Hz, 25.0HP Typical performance - Not guaranteed values

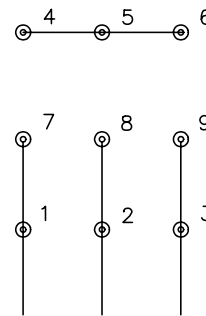




CD0005

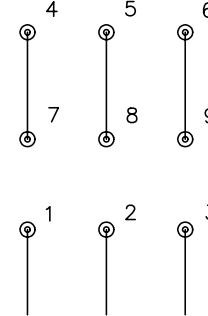


LOW VOLTAGE  
(2Y)



LINE

HIGH VOLTAGE  
(1Y)



LINE

NOTES:

1. INTERCHANGE ANY TWO LINE LEADS TO REVERSE ROTATION.
2. OPTIONAL THERMOSTATS ARE PROVIDED WHEN SPECIFIED.
3. ACTUAL NUMBER OF INTERNAL PARALLEL CIRCUITS MAY BE A MULTIPLE OF THOSE SHOWN ABOVE.
4. LEAD COLORS ARE OPTIONAL. LEADS MUST ALWAYS BE NUMBERED AS SHOWN.

REV. DESC: REVISE TO SHOW OPTIONAL COLORS

REV. LTR: E BY: JLP

REVISED: 01/19/99 10:15

TDR: 0171435

90000

FILE: AAA00005140

MDL: -

MTL: -

**BALDOR ELECTRIC Co.**

3PH, DV, 9 LEADS

CD0005

Marketing maintained PDF of MN416:

<http://www.baldor.com/support/Literature/Load.ashx/MN416?ManNumber=MN416>