

BALDOR® • RELIANCE 

Product Information Packet

EM4111T

25HP,1180RPM,3PH,60HZ,324T,1072M,TEFC,F1

Part Detail							
Revision:	T	Status:	PRD/A	Change #:		Proprietary:	No
Type:	AC	Elec. Spec:	10WGX979	CD Diagram:	CD0180	Mfg Plant:	
Mech. Spec:	10G860	Layout:	10LYG860	Poles:	06	Created Date:	06-12-2009
Base:	RG	Eff. Date:	02-18-2022	Leads:	9#10		

Specs			
Catalog Number:	EM4111T	Heater Indicator:	No Heater
Enclosure:	TEFC	Insulation Class:	F
Frame:	324T	Inverter Code:	Inverter Ready
Frame Material:	Iron	KVA Code:	H
Output @ Frequency:	25.000 HP @ 60 HZ	Lifting Lugs:	Standard Lifting Lugs
Synchronous Speed @ Frequency:	1200 RPM @ 60 HZ	Locked Bearing Indicator:	Locked Bearing
Voltage @ Frequency:	460.0 V @ 60 HZ	Motor Lead Quantity/Wire Size:	9 @ 10 AWG
	230.0 V @ 60 HZ	Motor Lead Exit:	Ko Box
XP Class and Group:	None	Motor Lead Termination:	Flying Leads
XP Division:	Not Applicable	Motor Type:	1072M
Agency Approvals:	UR	Mounting Arrangement:	F1
	CSA EEV	Power Factor:	79
	CSA	Product Family:	General Purpose
Auxillary Box:	No Auxillary Box	Pulley End Bearing Type:	Ball
Auxillary Box Lead Termination:	None	Pulley Face Code:	Standard
Base Indicator:	Rigid	Pulley Shaft Indicator:	Standard
Bearing Grease Type:	Polyrex EM (-20F +300F)	Rodent Screen:	None
Blower:	None	Shaft Extension Location:	Pulley End

Current @ Voltage:	32.000 A @ 460.0 V	Shaft Ground Indicator:	No Shaft Grounding
	64.000 A @ 230.0 V	Shaft Rotation:	Reversible
	70.000 A @ 208.0 V	Shaft Slinger Indicator:	Shaft Slinger
Design Code:	A	Speed Code:	Single Speed
Drip Cover:	No Drip Cover	Motor Standards:	NEMA
Duty Rating:	CONT	Starting Method:	Direct on line
Electrically Isolated Bearing:	Not Electrically Isolated	Thermal Device - Bearing:	None
Feedback Device:	NO FEEDBACK	Thermal Device - Winding:	None
Front Face Code:	Standard	Vibration Sensor Indicator:	No Vibration Sensor
Front Shaft Indicator:	None	Winding Thermal 1:	None
		Winding Thermal 2:	None

Nameplate NP3443LUA										
CAT.NO.	EM4111T				CUST. P/N				ENCL	TEFC
SPEC.	10G860X979		CC	010A	FRAME	324T		SER.NO.		
HP	25		CLASS	F	HZ	60				
R.P.M.	1180		PH.	3	DES.	A				
VOLTS	230/460			CODE	H	ODE BRG	6309	DE BRG	6312	
AMPS	64/32			USABLE AT 208V	70					
RATING	40C AMB-CONT			NEMA NOM. EFF.	93		GREASE	POLYREX EM		
P.F.	79		SER.F.	1.15		CT6-60H(10:1)VT3-60H(20:1)				
USABLE AT	50Hz 25HP 190/380V 76/38A				SF1.0					
VOLTS		AMPS		MAX. SPACE HEATER TEMP.						

Parts List		
Part Number	Description	Quantity
SA182825	SA 10G860X979	1.000 EA
RA170717	RA 10G860X979	1.000 EA
09FN3001A02SP	EXTERNAL FAN, PLASTIC (COMES W/SCREW FRO	1.000 EA
10CB3001	CONDUIT BOX CAST W/2.500 LEAD HOLE	1.000 EA
09GS1000SP	GASKET-CONDUIT BOX, 1/16 THICK LEXIDE	1.000 EA
10XN3118K12	5/16-18 X .75 GRADE 5, ZINC PLATED	4.000 EA
HW1001A31	LOCKWASHER 5/16, ZINC PLT.591 OD, .319 I	4.000 EA
WD1000B16	T&B CX70TN OR L70P TERMINAL LUG	1.000 EA
51XF2520A08	SCREW, HEX SER SLT HD, ZN 1/4-20 X .50 L	1.000 EA
10EP1106A01	FR ENDPLATE, MACH	1.000 EA
10XN3816K32	BOLT, 3/8-16X2 HH YZ(5)	4.000 EA
HW1001A38	LOCKWASHER 3/8, ZINC PLT .688 OD, .382 I	4.000 EA
HW5100A11	W3917-042 WVY WSHR (WB)	1.000 EA
10XN2520K32	1/4-20 X 2.00 HX HD SCRW GRADE 5, ZINC P	2.000 EA
HW1001A25	LOCKWASHER 1/4, ZINC PLT .493 OD, .255 I	2.000 EA
10XN3118K40	5/16-18 X 2.75" HEX HD, GRADE 5	4.000 EA
HW1001A31	LOCKWASHER 5/16, ZINC PLT.591 OD, .319 I	4.000 EA
10EP1108A01	PULLEY ENDPLATE - 312 BRG.- ENCL.	1.000 EA
10XN3816K28	3/8-16 X 1.75 HEX HD CAP SCREW, GRADE 5	4.000 EA
HW1001A38	LOCKWASHER 3/8, ZINC PLT .688 OD, .382 I	4.000 EA
10FH4000	310 FAN HOUSING STAMPED	1.000 EA
51XF2520A08	SCREW, HEX SER SLT HD, ZN 1/4-20 X .50 L	4.000 EA
10CB3500SP	CONDUIT BOX LID, CAST	1.000 EA
10GS1000SP	GASKET, CONDUIT BOX LID	1.000 EA

Parts List (continued)		
Part Number	Description	Quantity
51XW2520A12	.25-20 X .75, TAPTITE II, HEX WSHR SLTD	4.000 EA
HW4600B41	V-RING SLINGER 2.125 X 2.880 X 0.280	1.000 EA
HW2501H33	KEY, 1/2 SQ X 3.875	1.000 EA
LB1115N	LABEL,LIFTING DEVICE (ON ROLLS)	1.000 EA
MN416A01	TAG-INSTAL-MAINT no wire (2100/bx) 4/22	1.000 EA
HW4500A21	1618BALEMITE FITTING 825 UNIVERSAL	1.000 EA
HA4017A01	1/8 X 4 GREASE EXT (F/S)	1.000 EA
HW4500A17	317400 ALEMITE GREASE RELIEF	1.000 EA
HA4054	SHORT T-DRAIN FITTING, .125" N.P.T.	1.000 EA
HA4051A00	PLASTIC CAP FOR GREASE FITTING	1.000 EA
MJ1000A02	GREASE, MOBIL POLYREX EM - 124047	0.130 LB
HW4500A03	GREASE FITTING, .125 NPT 1610(ALEMITE) 8	1.000 EA
HW4500A17	317400 ALEMITE GREASE RELIEF	1.000 EA
HA4054	SHORT T-DRAIN FITTING, .125" N.P.T.	1.000 EA
HA4051A00	PLASTIC CAP FOR GREASE FITTING	1.000 EA
HW2500A25	WOODRUFF KEY USA #1008 #BLOW CARBON STEE	1.000 EA
51XB1214A20	12-14X1.25 HXWSSLD SERTYB	1.000 EA
MG1000Y03	MUNSELL 2.53Y 6.70/ 4.60, GLOSS 20,	0.070 GA
85XU0407S04	4X1/4 U DRIVE PIN STAINLESS	4.000 EA
LB1119N	WARNING LABEL	1.000 EA
LC0181	CONNECTION LABEL	1.000 EA
NP3443LUA	SS SUPER-E UL CSA-EEV PREM CC	1.000 EA
12PA1000	PACKAGING GROUP PRINT PK1024A07	1.000 EA
FE-0000022	ZRTG FE ASSEMBLY	1.000 EA

PE-0000013	ZRTG PE ASSEMBLY	1.000 EA
------------	------------------	----------

Accessories		
Part Number	Description	Multiplier
10-1304	C FACE KIT	A8

AC Induction Motor Performance Data

Record # 21410

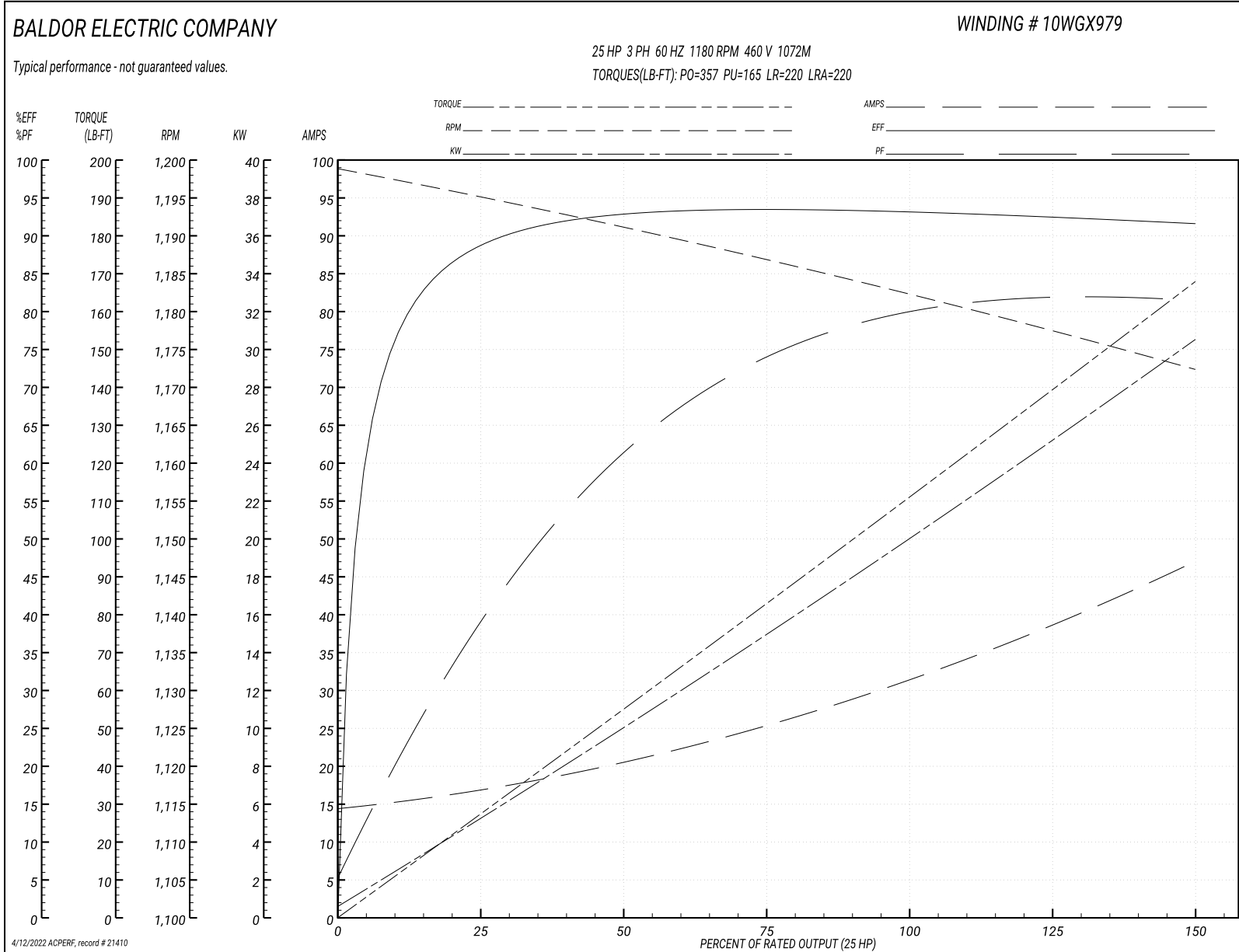
Typical performance - not guaranteed values

Winding: 10WGX979-R001		Type: 1072M		Enclosure: TEFC	
Nameplate Data			460 V, 60 Hz: High Voltage Connection		
Rated Output (HP)	25	Full Load Torque	112 LB-FT		
Volts	230/460	Start Configuration	direct on line		
Full Load Amps	64/32	Breakdown Torque	357 LB-FT		
R.P.M.	1180	Pull-up Torque	165 LB-FT		
Hz	60 Phase	3	Locked-rotor Torque	220 LB-FT	
NEMA Design Code	A KVA Code	H	Starting Current	220 A	
Service Factor (S.F.)	1.15		No-load Current	14.9 A	
NEMA Nom. Eff.	93 Power Factor	79	Line-line Res. @ 25°C	0.279 Ω	
Rating - Duty	40C AMB-CONT		Temp. Rise @ Rated Load	50°C	
S.F. Amps			Temp. Rise @ S.F. Load	62°C	
			Locked-rotor Power Factor	30	
			Rotor inertia	8.82 LB-FT ²	

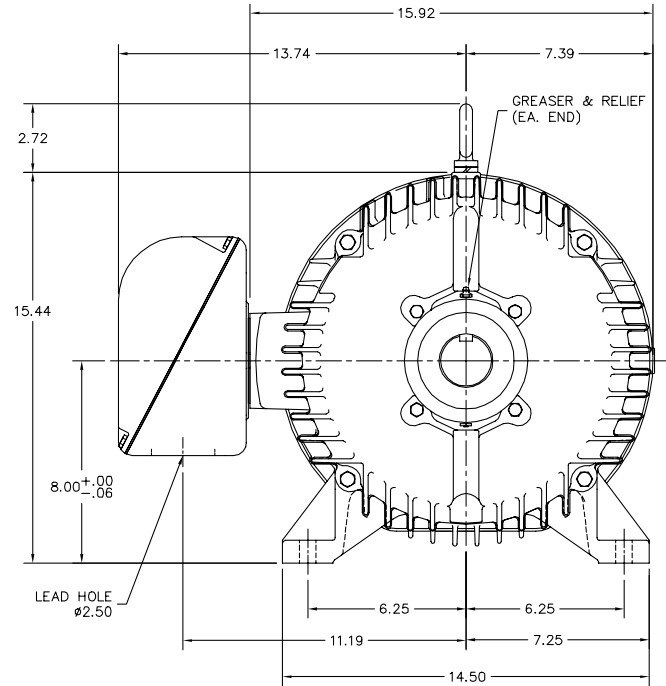
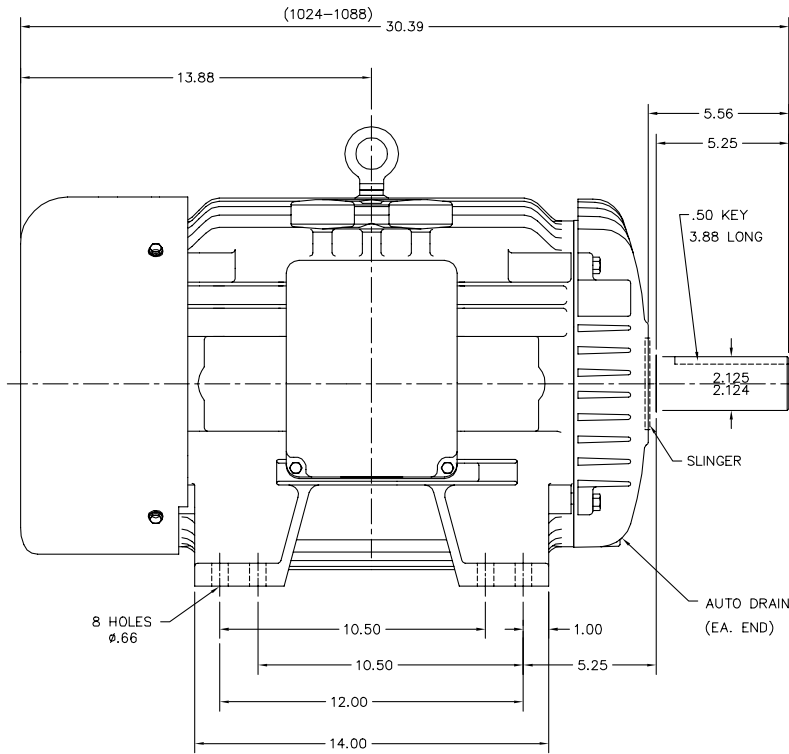
Load Characteristics 460 V, 60 Hz, 25 HP

% of Rated Load	25	50	75	100	125	150	S.F.
Power Factor	42	63	73	79	81	82	80
Efficiency	89	92.6	93.3	93	92.5	91.5	92.7
Speed	1195	1191	1187	1182	1178	1172	1180
Line amperes	16.3	20.1	25.4	32	39.1	46.7	36.3

Performance Graph at 460V, 60Hz, 25.0HP Typical performance - Not guaranteed values



10LY9860



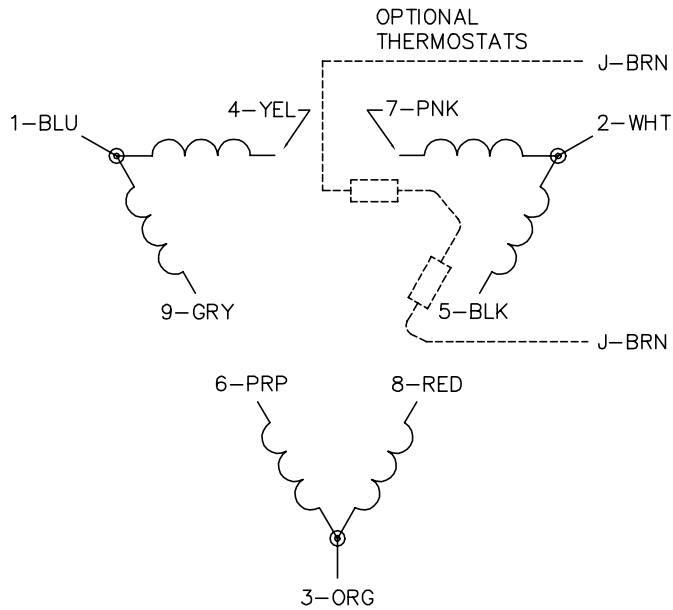
10LY9860

CUSTOMER IS RESPONSIBLE FOR DETERMINING THAT THE PRODUCT WILL PERFORM SUITABLY IN THE INTENDED APPLICATION.

REV. DESC: LIFE CYCLE, REPLACE 10SF117A01 WITH 10SF117A02		
REV. LTR: C	VERSION: 03	TDR: 000001185722
FILE: \AAA\00164\162	REVISED: 10:34:08 02/09/2022	BY: ENFRAJ0
MTL: -		

BALDOR - RELIANCE[®]
 HORZ TEFC 324-6T, SUPER-E
 SH 1 of 1

CD0180



LOW VOLTAGE
(2D)



HIGH VOLTAGE
(1D)



NOTES:

1. INTERCHANGE ANY TWO LINE LEADS TO REVERSE ROTATION.
2. OPTIONAL THERMOSTATS ARE PROVIDED WHEN SPECIFIED.
3. ACTUAL NUMBER OF INTERNAL PARALLEL CIRCUITS MAY BE A MULTIPLE OF THOSE SHOWN ABOVE.
4. LEAD COLORS ARE OPTIONAL. LEADS MUST ALWAYS BE NUMBERED AS SHOWN.

CD0180

REV. DESC: ADD CLASS CONN00000007		
REV. LTR: D	VERSION: 01	TDR: 000001099922
FILE: \AAA\00005\148	REVISED: 10:25:29 02/19/2019	BY: ENBRIRO
MTL: -	© □	

BALDOR - RELIANCE®

3PH, DV, 9 LEADS, DELTA CONNECTION

SH 1 of 1

Marketing maintained PDF of MN416:

<http://www.baldor.com/support/Literature/Load.ashx/MN416?ManNumber=MN416>