

**BALDOR • RELIANCE**

---

# Customer information packet

## EM4314T-G

60HP, 1780RPM, 3PH, 60HZ, 364T, A3658M, TEFC, F

Class - None

Division - Not Applicable

## Specifications

Enclosure	TEFC
Frame	364T
Frame Material	Iron
Frequency	50.00 Hz 60.00 Hz
Motor Letter Type	Three Phase
Output @ Frequency	60.000 HP @ 60 HZ 50.000 HP @ 50 HZ
Phase	3
Synchronous Speed @ Frequency	1500 RPM @ 50 HZ
Voltage @ Frequency	190.0 V @ 50 HZ 230.0 V @ 60 HZ 380.0 V @ 50 HZ 460.0 V @ 60 HZ
XP Class and Group	None
XP Division	Not Applicable
Agency Approvals	CSA EEV CCSA US
Ambient Temperature	40 °C
Auxillary Box	No Auxillary Box
Base Indicator	Rigid
Bearing Grease Type	Polyrex EM (-20F +300F)
Current @ Voltage	139.000 A @ 230.0 V 152.000 A @ 208.0 V 67.500 A @ 380.0 V 69.700 A @ 460.0 V 135.000 A @ 190.0 V
Design Code	B
Drip Cover	No Drip Cover
Duty Rating	CONT
Efficiency @ 100% Load	95.0 %
Feedback Device	NO FEEDBACK

## Part detail

Revision	F
Type	AC
Mech. spec.	
Base	
Status	PRD/A
Elec. spec.	A36WG4075
Layout	617428-021
Eff. date	09-09-2021
CD Diagram	416820-002
Poles	04
Leads	3#4,6#6
Proprietary	False
Created date	04-16-2020

<b>Heater Indicator</b>	No Heater
<b>High Voltage Full Load Amps</b>	67.5 a
<b>Insulation Class</b>	H
<b>Inverter Code</b>	Not Inverter
<b>KVA Code</b>	G
<b>Lifting Lugs</b>	Standard Lifting Lugs
<b>Motor Lead Quantity/Wire Size</b>	3 @ 4 AWG
<b>Motor Standards</b>	NEMA
<b>Motor Type</b>	A3658M
<b>Mounting Arrangement</b>	F1
<b>Number of Poles</b>	4
<b>Overall Length</b>	33.48 IN
<b>Power Factor</b>	84
<b>Product Family</b>	General Industrial
<b>Pulley End Bearing Type</b>	Ball
<b>Pulley Face Code</b>	Standard
<b>Service Factor</b>	1.15
<b>Shaft Diameter</b>	2.375 IN
<b>Shaft Ground Indicator</b>	Shaft Grounding
<b>Shaft Rotation</b>	Reversible
<b>Shaft Slinger Indicator</b>	No Slinger
<b>Speed</b>	1485 rpm 1780 rpm
<b>Speed Code</b>	Single Speed
<b>Starting Method</b>	Direct on line
<b>Thermal Device - Bearing</b>	None
<b>Thermal Device - Winding</b>	None

**Nameplate**

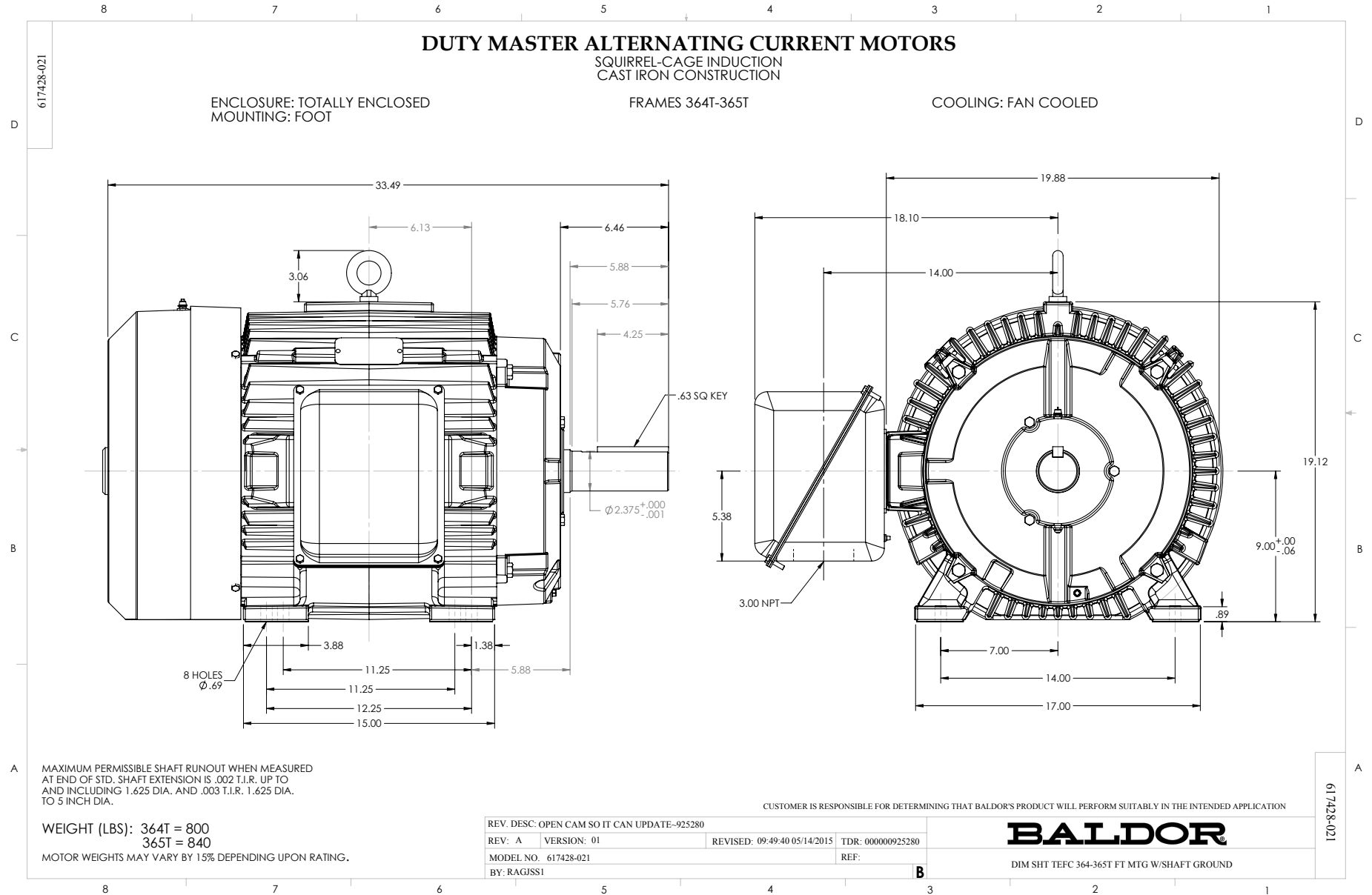
**NP3979LUA**

<b>CAT #</b>	EM4314T-G		<b>SER</b>			<b>CC</b>	010A						
<b>SPEC</b>	A36-0001-4075		<b>RATING</b>	40C AMB-CONT									
<b>HZ</b>	<b>VOLTS</b>		<b>AMPS</b>		<b>RPM</b>	<b>HP</b>	<b>CODE</b>	<b>SF</b>	<b>DES</b>	<b>PF</b>	<b>NEMA NOM. EFF</b>		
60	230/460		140/70		1780	60	G	1.15	B	84 %	95 %		
	-									%	%		
<b>PH</b>	3	<b>CL</b>	H	<b>MAX CORR KVAR</b>	15	<b>USABLE AT 208V</b>		152	<b>A</b>				
<b>BRG</b>	<b>DE</b>	6313	<b>ODE</b>	6313	<b>ENCL</b>	TEFC	<b>FR</b>	364T		<b>IP54</b>			
<b>GREASE</b>	POLYREX EM					<b>MTR WT</b>	907	<b>LBS</b>					
<b>USABLE AT</b>	50HZ 50HP 190/380V 138/69A					<b>SF1.0</b>							
<b>INVERTER DUTY</b>	<b>CT</b>	15-60	<b>HZ</b>	4:1	<b>VT</b>	3-60	<b>HZ</b>	20:1	<b>CHP</b>	60-90	<b>HZ</b>	1.5:1	<b>1.0 SF VPWM</b>
<b>MAX RPM</b>	2700												

## Parts list

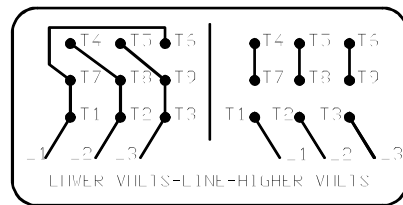
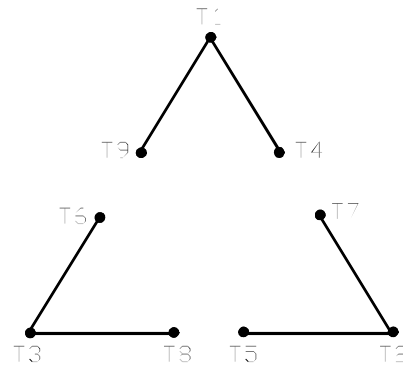
Part number	Description	Quantity
SA381800	SA A36-0001-4075	1.000 ea
RA371916	RA A36-0001-4075	1.000 ea
421948032	LABEL, MYLAR	1.000 ea
000613006PU	N/P (RELEASE QTY 10,000) UL CSA LABEL	1.000 ea
000692000VD	LABEL WARNING	1.000 ea
NP3979LUA	SS SUPER-E UR CSA-C-US-EEV NEMA PREM CC	1.000 ea
085922073B	BRKT 360 085922072WCC KB	1.000 ea
415072001B	CLAMP	1.000 ea
078559001A	+FANCV - 360	1.000 ea
034180012DA	KEY 1X4X1/4X1-1/2 L	1.000 ea
702676001C	FAN 360	1.000 ea
004824015A	GREASE POLYREX EM	0.540 lb
032018012DK	HHCS 1/2-13X1-1/2 PLTD. 032018012DR	4.000 ea
032018008AK	HHCS 1/4-20X1 PLATED	4.000 ea
032018024CK	HHCS 3/8-16X3 PLTD.	3.000 ea
415096002A	CPLG 1/8 HEX TYPE	1.000 ea
410700004F	WSHR	1.000 ea
035000001G	GREASE RELIEF FITTING, ALEMITE 317400	1.000 ea
034530052AB	P/NIP 1/8X6-1/2 Zinc	1.000 ea
034690001AB	1/8" NPT SQHDPLG	1.000 ea
034600001AA	BUSH 1/4TO1/8 BLACK	1.000 ea
034690001AB	1/8" NPT SQHDPLG	1.000 ea
034600001AA	BUSH 1/4TO1/8 BLACK	1.000 ea
415045002E	SLGR	1.000 ea
085922073B	BRKT 360 085922072WCC KB	1.000 ea
032018012DK	HHCS 1/2-13X1-1/2 PLTD. 032018012DR	4.000 ea
032018024CK	HHCS 3/8-16X3 PLTD.	3.000 ea
035000001G	GREASE RELIEF FITTING, ALEMITE 317400	1.000 ea
077176000L	C/BOX, PAINTED 440	1.000 ea
BP5327	SHAFT GRD BRUSH (SGR-74.7-3CFHAT2)	1.000 ea
077176001A	CBOXC, PAINTED 360-400	1.000 ea

043292000AJ	GASK 320-400	1.000 ea
402731001A	GASK 360-440	1.000 ea
418150003A	GREASE FITTING CAP	1.000 ea
032018005AK	HHCS 1/4-20X5/8 PLATED	4.000 ea
032018008CK	HHCS 3/8-16X1L PLATED	4.000 ea
035000001A	ALFTG 1/8" 1610-BL	1.000 ea
415000115H	T/LUG #2AWG-4/0AWG	1.000 ea
406099000A	PLUG - FAN COVER 320-440	1.000 ea
035000001A	ALFTG 1/8" 1610-BL	1.000 ea
418150003A	GREASE FITTING CAP	1.000 ea
MG1025Y17	WILKOFAS, 789.701, SUPER E PEARL GOLD	1.000 ga
032018005DL	1/2-13 X 5/8 SILICON BRONZE HHCS	1.000 ea
033775004EA	DRSCR #6-1/4 304 S.S.	2.000 ea
034180034HA	KEY 5/8X5/8X4-1/4 L	1.000 ea
PK5004A01	WOODEN BASE ASSY,314-316 FR.	1.000 ea
HW1000A32	5/16 FL WASHER WIDE,ID=.344,OD=1.125	3.000 ea
032509020C	CARRIAGE BOLT - 360	3.000 ea
14PA1000	PACKAGING 314 GROUP COMBINED PRINT	1.000 ea



416820-002

A-C MOTOR  
 CONNECTION DIAGRAM  
 STANDARD 9 LEAD DELTA-CONNECTED



(N.P. 1575-B)

416820-002

REV. DESC: FONT CHANGE FOR PDF SEARCHABLE		
REV. LTR: A	VERSION: 01	TDR: 000001009382
FILE: \MGA\00000\661	REVISED: 02:46:19 02/13/2020	BY: MGHMTT
MTL: -	© □	

**BALDOR - RELIANCE®**

CONN DIAG - STANDARD 9 LEAD, DELTA-CONNECTED

SH 1 of 1