



---

# Customer information packet

## EM4400T-12

100HP, 1785RPM, 3PH, 60HZ, 405T, A40064M, TEFC

Class - None

Division - Not Applicable

## Specifications

Enclosure	TEFC
Frame	405T
Frame Material	Iron
Frequency	60.00 Hz
Motor Letter Type	Three Phase
Output @ Frequency	100.000 HP @ 60 HZ
Phase	3
Synchronous Speed @ Frequency	1800 RPM @ 60 HZ
Voltage @ Frequency	460.0 V @ 60 HZ 230.0 V @ 60 HZ
XP Class and Group	None
XP Division	Not Applicable
Agency Approvals	CSA EEV CCSA US
Ambient Temperature	40 °C
Base Indicator	Rigid
Bearing Grease Type	Polyrex EM (-20F +300F)
Current @ Voltage	112.000 A @ 460.0 V 224.000 A @ 230.0 V
Design Code	B
Duty Rating	CONT
Efficiency @ 100% Load	95.4 %
High Voltage Full Load Amps	112.0 a
Insulation Class	B
Inverter Code	Inverter Ready
KVA Code	G
Lifting Lugs	Standard Lifting Lugs
Motor Lead Quantity/Wire Size	12 @ 4 AWG
Motor Standards	NEMA
Motor Type	A40064M
Mounting Arrangement	F1
Number of Poles	4

## Part detail

Revision	K
Type	AC
Mech. spec.	
Base	
Status	PRD/A
Elec. spec.	A40WG0690
Layout	617429-001
Eff. date	04-08-2021
CD Diagram	416820-020
Poles	04
Leads	12#4
Proprietary	False
Created date	07-17-2013

<b>Overall Length</b>	38.04 IN
<b>Power Factor</b>	87
<b>Product Family</b>	Other
<b>Pulley End Bearing Type</b>	Ball
<b>Pulley Face Code</b>	Standard
<b>Service Factor</b>	1.15
<b>Shaft Ground Indicator</b>	No Shaft Grounding
<b>Shaft Rotation</b>	Reversible
<b>Speed</b>	1785 rpm
<b>Speed Code</b>	Single Speed
<b>Starting Method</b>	Wye Start - Delta Run

**Nameplate**

**NP2383L**

<b>CAT.NO.</b>	EM4400T-12			<b>SPEC NO.</b>	P40G3925				
<b>HP</b>	100	<b>AMPS</b>	224/112	<b>VOLTS</b>	230/460		<b>DESIGN</b>	B	
<b>FRAME</b>	405T	<b>RPM</b>	1785	<b>HZ</b>	60	<b>AMB</b>	40	<b>SF</b>	1.15
<b>DRIVE END BEARING</b>	80BC03J30X		<b>PHASE</b>	3	<b>DUTY</b>	CONT	<b>INSUL.CLASS</b>	F	
<b>OPP D.E. BEARING</b>	80BC03J30X		<b>TYPE</b>	P	<b>ENCL</b>	TEFC	<b>CODE</b>	G	
<b>SER.NO.</b>				<b>POWER FACTOR</b>	87		<b>NEMA-NOM-EFFICIENCY</b>	95.4	
<b>NEMA NOM/CSA QUOTED EFF</b>				<b>MAX CORR KVAR</b>	18	<b>GUARANTEED EFFICIENCY</b>	94.5		
				<b>MOTOR WEIGHT</b>	1211				

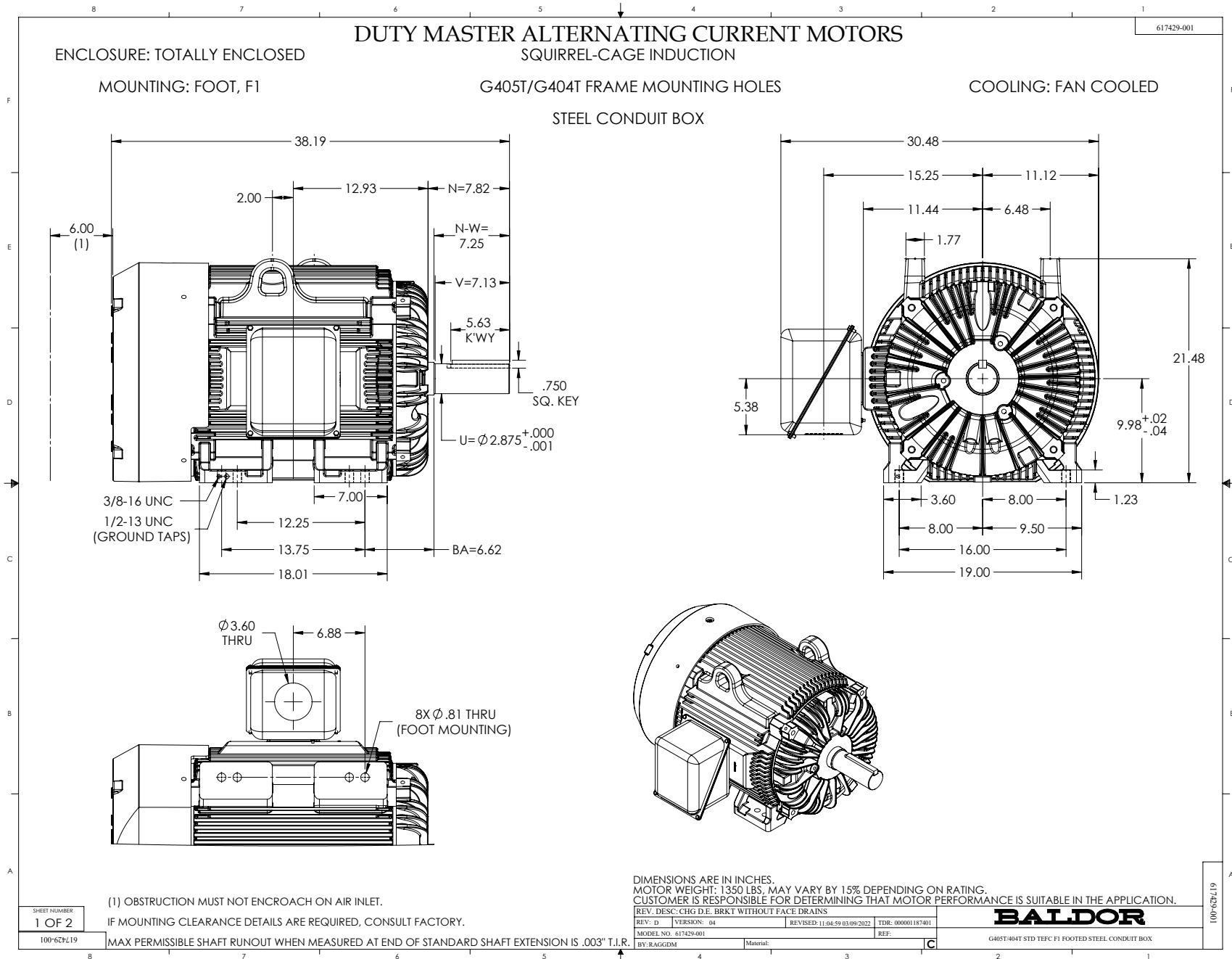
## Parts list

Part number	Description	Quantity
SA267714	SA P40G3925	1.000 ea
RA254384	RA P40G3925	1.000 ea
421948038R	LABEL, MYLAR	1.000 ea
000692000FF	N/P	1.000 ea
000613006PU	N/P (RELEASE QTY 10,000) UL CSA LABEL	1.000 ea
000692000VD	LABEL WARNING	1.000 ea
NP2383L	SUPER-E ,SS, CC, CSA-C US, CSA EEV	1.000 ea
412118006A	DRAIN	2.000 ea
089412501A	BRKT FTMT G400 FIN MACH 6316 89412500WCA	1.000 ea
415072001B	CLAMP	1.000 ea
083198127A	G400 MOLDED FAN COVER	1.000 ea
034180012DA	KEY 1X4X1/4X1-1/2 L	1.000 ea
078548001R	FAN KB 234/150 (84) 400	1.000 ea
004824015A	GREASE POLYREX EM	0.880 lb
032018020EK	HHCS 5/8-11X2-1/2 PLTD.	4.000 ea
032018008CK	HHCS 3/8-16X1L PLATED	4.000 ea
032018008CK	HHCS 3/8-16X1L PLATED	4.000 ea
032018024CK	HHCS 3/8-16X3 PLTD.	3.000 ea
415096002A	CPLG 1/8 HEX TYPE	1.000 ea
410700000DA	WAVY SPRING WASHER	1.000 ea
034000014AB	WSH ID.406 OD.812 TH.065	4.000 ea
034530052AB	P/NIP 1/8X6-1/2 Zinc	1.000 ea
034530056BB	P/NIP 1/4X7 SCHED 40	1.000 ea
034690001AB	1/8" NPT SQHDPLG	1.000 ea
034631002AB	BUSH 1/4 TO 1/8 PLTD.	1.000 ea
034692005AA	P PLUG 3/4"BLK.	1.000 ea
089412501A	BRKT FTMT G400 FIN MACH 6316 89412500WCA	1.000 ea
032018020EK	HHCS 5/8-11X2-1/2 PLTD.	4.000 ea
032018024CK	HHCS 3/8-16X3 PLTD.	3.000 ea
034690002AB	PPLG 1/4" PLTD.	1.000 ea
077176000L	C/BOX, PAINTED 440	1.000 ea

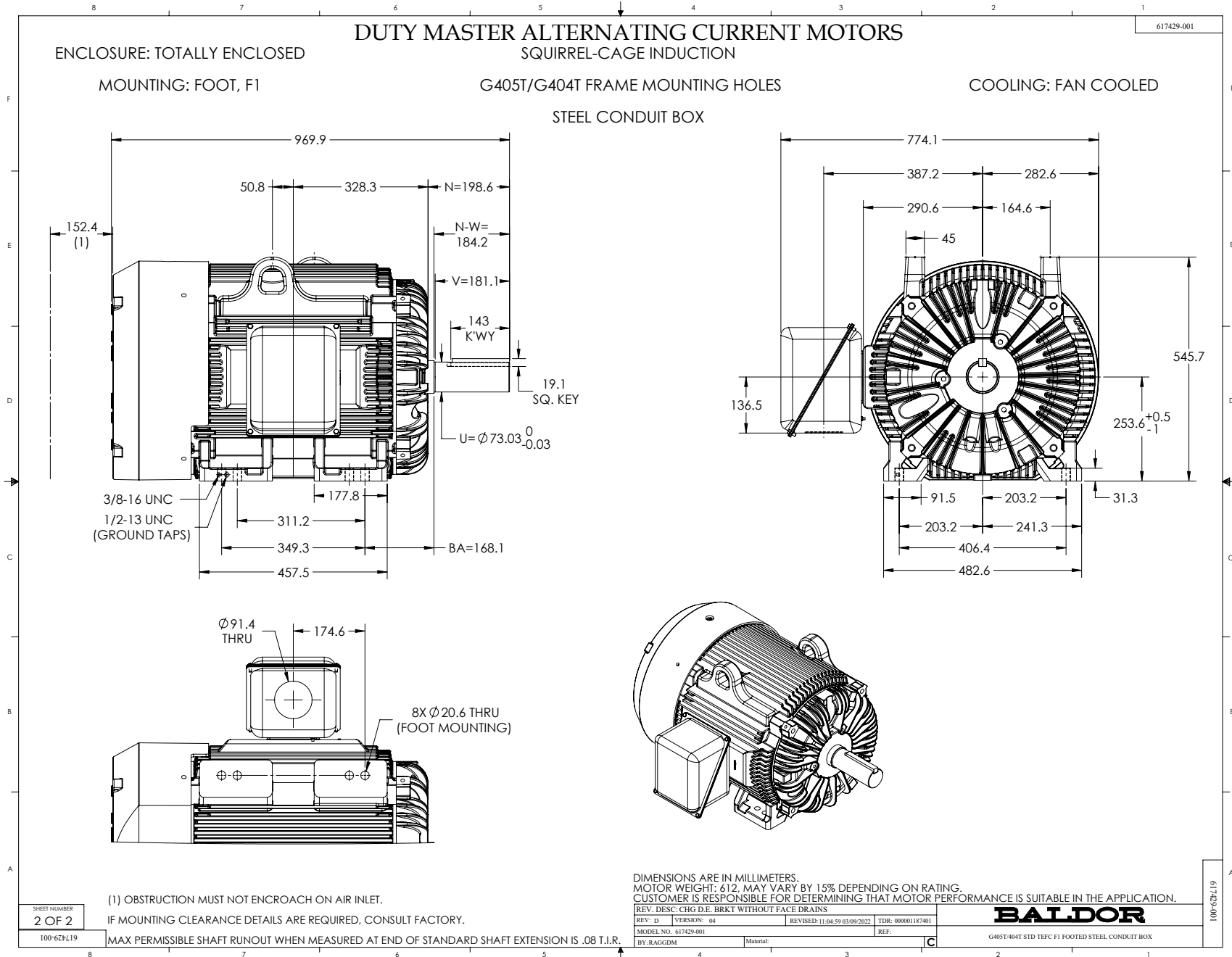
077176001A	CBOXC, PAINTED 360-400	1.000 ea
043292000AJ	GASK 320-400	1.000 ea
402731001A	GASK 360-440	1.000 ea
418150003A	GREASE FITTING CAP	1.000 ea
MG1025Y17	WILKOFAS, 789.701, SUPER E PEARL GOLD	0.375 ga
032018005AK	HHCS 1/4-20X5/8 PLATED	4.000 ea
035000001A	ALFTG 1/8" 1610-BL	1.000 ea
415000115H	T/LUG #2AWG-4/0AWG	1.000 ea
406099000A	PLUG - FAN COVER 320-440	1.000 ea
035000001A	ALFTG 1/8" 1610-BL	1.000 ea
418150003A	GREASE FITTING CAP	1.000 ea
033775004EA	DRSCR #6-1/4 304 S.S.	2.000 ea
032018005DL	1/2-13 X 5/8 SILICON BRONZE HHCS	1.000 ea
034180044JA	KEY 3/4X3/4X5-1/2 L	1.000 ea
PK5004A02	WOOD BASE 40X32 STACK 2X4 RUNNER	1.000 ea

**Accessories**

<b>Part number</b>	<b>Description</b>	<b>Multiplier</b>
K40G2	C-FACE KIT FR400T 4/6/8POLE ONLY	A8
089412054B	D-FLANGE BRKT 400 089416055WCB	P1



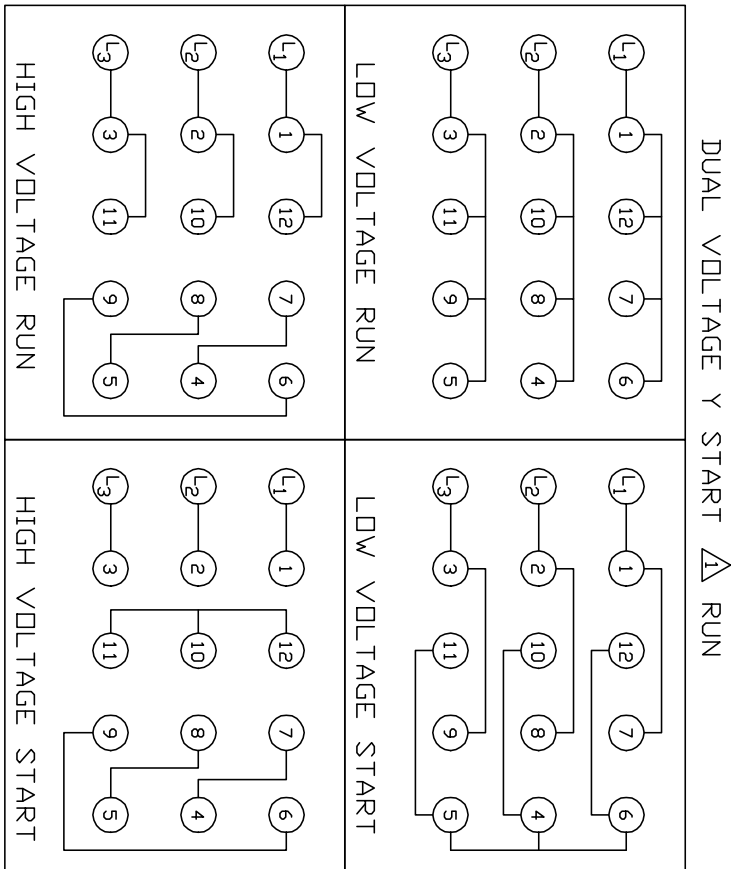




416820-020

A-C MOTOR  
CONNECTION DIAGRAM

416820-020



<410961-39 / 1575-AC>

CUSTOMER \_\_\_\_\_

CUSTOMER  
ORDER NO. \_\_\_\_\_

S. O. NO. \_\_\_\_\_

REV. DESC: LOADED TO BUS		
REV. LTR: A	VERSION: 01	TDR: 00000553773
FILE: \RAG\00011\270	REVISED: 01:15:19 08/12/2010	
MTL: -	BY: RAGMTC	

**BALDOR**

A-C MOTOR CONNECTION DIAGRAM

SH 1 of 1