

BALDOR® • RELIANCE™

Customer information packet

P44G749

150HP, 1785RPM, 3PH, 60HZ, 445T, A44078M, TEFC

Class - None

Division - Not Applicable

Copyright © All product information within this document is subject to ABB Motors and Mechanical Inc. copyright © protection, unless otherwise noted.

7/14/2022 6:26:58 PM

Specifications

Enclosure	TEFC
Frame	445T
Frame Material	Iron
Frequency	60.00 Hz
Motor Letter Type	Three Phase
Output @ Frequency	150.000 HP @ 60 HZ
Phase	3
Synchronous Speed @ Frequency	1800 RPM @ 60 HZ
Voltage @ Frequency	575.0 V @ 60 HZ
XP Class and Group	None
XP Division	Not Applicable
Agency Approvals	CCSA US
Ambient Temperature	40 °C
Auxillary Box	No Auxillary Box
Base Indicator	Rigid
Bearing Grease Type	Polyrex EM (-20F +300F)
Current @ Voltage	132.000 A @ 575.0 V
Design Code	B
Drip Cover	No Drip Cover
Duty Rating	CONT
Efficiency @ 100% Load	96.2 %
Feedback Device	NO FEEDBACK
Heater Indicator	No Heater
High Voltage Full Load Amps	132.0 a
Insulation Class	F
Inverter Code	Inverter Ready
KVA Code	G
Lifting Lugs	No Lifting Lugs
Motor Lead Quantity/Wire Size	3 @ 1 AWG
Motor Standards	NEMA
Motor Type	A44078M
Mounting Arrangement	F1

Part detail

Revision	K
Type	AC
Mech. spec.	
Base	
Status	INA/A
Elec. spec.	A44WG0480
Layout	611740-001-SH1
Eff. date	11-06-2020
CD Diagram	416820-036
Poles	04
Leads	3#1
Proprietary	False
Created date	10-19-2010

Number of Poles	4
Power Factor	88
Pulley End Bearing Type	Ball
Pulley Face Code	Standard
Service Factor	1.15
Shaft Diameter	2.375 IN
Shaft Ground Indicator	No Shaft Grounding
Shaft Rotation	Reversible
Shaft Slinger Indicator	No Slinger
Speed	1785 rpm
Speed Code	Single Speed
Starting Method	Direct on line
Thermal Device - Bearing	None
Thermal Device - Winding	None

Nameplate

NP2380L

CAT.NO.		SPEC NO.	P44G749						
HP	150	AMPS	132	VOLTS	575	DESIGN	B		
FRAME	445T	RPM	1785	HZ	60	AMB	40	SF	1.15
DRIVE END BEARING	90BC03J30X	PHASE	3	DUTY	CONT	INSUL.CLASS	F		
OPP D.E. BEARING	90BC03J30X	TYPE	P	ENCL	TEFC	CODE	G		
SER.NO.		POWER FACTOR	88.5	NEMA-NOM-EFFICIENCY	96.2				
		MAX CORR KVAR	20.0	GUARANTEED EFFICIENCY	95.8				
		NEMA NOM/CSA QUOTED EFF							
		MOTOR WEIGHT	1770						

Parts list

Part number	Description	Quantity
SA209142	SA P44G749	1.000 ea
RA196404	RA P44G749	1.000 ea
000613006PU	N/P (RELEASE QTY 10,000) UL CSA LABEL	1.000 ea
000692000VD	LABEL WARNING	1.000 ea
NP2380L	SS SUPER-E CSA-C US (LASER)	1.000 ea
412118006A	DRAIN	2.000 ea
004824015A	GREASE POLYREX EM	1.156 lb
032018008CK	HHCS 3/8-16X1L PLATED	4.000 ea
032018020FK	HHCS 3/4-10X2-1/2 PLTD.	4.000 ea
032018036DK	HHCS 1/2-13X4-1/2 PLTD.	3.000 ea
034017014AB	LCKW 3/8 STD. PLATED	4.000 ea
034180014DA	KEY 1/4X1/4X1-3/4 L	1.000 ea
034530064AB	P/NIP 1/8 X 8" L Pipe Nipple	1.000 ea
034600001AA	BUSH 1/4TO1/8 BLACK	1.000 ea
035000001G	GREASE RELIEF FITTING, ALEMITE 317400	1.000 ea
078548001R	FAN KB 234/150 (84) 400	1.000 ea
083199039A	E440 FAN COVER/FOOT MOUNTED	1.000 ea
089441051B	BRKT 440 089441051WCC	1.000 ea
410700004A	WSHR	1.000 ea
415072001B	CLAMP	1.000 ea
415096002A	CPLG 1/8 HEX TYPE	1.000 ea
032018020FK	HHCS 3/4-10X2-1/2 PLTD.	4.000 ea
032018036DK	HHCS 1/2-13X4-1/2 PLTD.	3.000 ea
415045002A	SLGR	1.000 ea
034600001AA	BUSH 1/4TO1/8 BLACK	1.000 ea
035000001G	GREASE RELIEF FITTING, ALEMITE 317400	1.000 ea
089441051A	BRKT 440 089441051WCC KB	1.000 ea
032018008DK	HHCS 1/2-13X1 PLATED	4.000 ea
033512004LB	HHTTS 1/4-20X1/2 PLTD.	1.000 ea
033512006LB	HHTTS 1/4-20X3/4 PLTD.	8.000 ea
035000001A	ALFTG 1/8" 1610-BL	1.000 ea

035000001A	ALFTG 1/8" 1610-BL	1.000 ea
406056008A	GASKET, TERBD 440	1.000 ea
406099000A	PLUG - FAN COVER 320-440	1.000 ea
415000103D	T/LUG #4AWG-1/0AWG W/HOLE FOR .250 BOLT	1.000 ea
418150003A	GREASE FITTING CAP	1.000 ea
418150003A	GREASE FITTING CAP	1.000 ea
418153001A	GASK 440	1.000 ea
702658001A	CONDUIT BOX, E440	1.000 ea
702658002A	+C/BOX CVR, PAINTED 440	1.000 ea
MG1025Y17	WILKOFAS, 789.701, SUPER E PEARL GOLD	0.250 ga
LB1346N	LABEL,SUPER-E GP(4X4)	1.000 ea
033775004EA	DRSCR #6-1/4 304 S.S.	2.000 ea
034180054KA	7/8 SQ X 6.75 KEY	1.000 ea
MG1500G03-5	LACQUER PRIMER, GRAY	0.063 ga
421948051	LABEL, MYLAR	1.000 ea
PK5004A09	BASE 48 X 39-1/4 STACK 2 X 4 RUNNER	1.000 ea

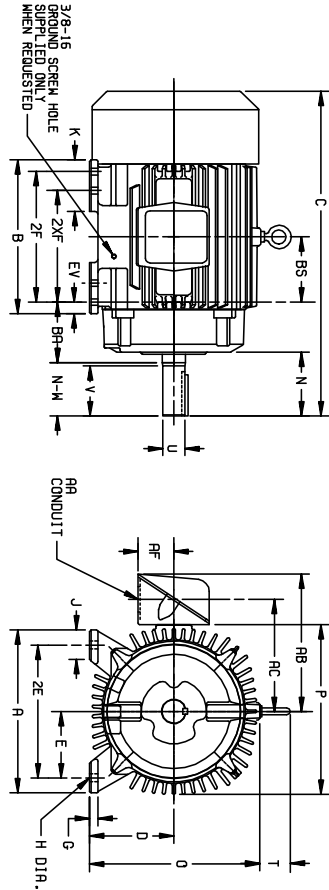
611740-001-SH1

DUTY MASTER ALTERNATING CURRENT MOTORS
SQUIRREL-CAGE INDUCTION

ENCLOSURE: TOTALLY ENCLOSED
MOUNTING: FOOT

COOLING: FAN COOLED

FRAMES 250T THRU 440T



DIMENSIONS ARE IN INCHES; SEE SHEET 2 FOR DIMENSIONS IN MILLIMETERS

FRAME SIZE	A	D(2)	E	G	H	J	K	O	P	T	STEEL TERMINAL BOX						BA	EA	EV
											AA	AB	AC	AF	AG	AL			
254T-256T	12.50	6.25	5.00	7.5	56	2.50	---	13.25	13.25	2.44	1-1/4	10.75	8.75	2.50	4.25	1.00	---	---	
284T-296T5	13.75	7.00	5.50	7.5	56	2.50	---	14.75	14.88	2.44	1-1/2	12.75	10.00	3.19	4.75	1.00	---	---	
324T-326T5	15.50	8.00	6.25	8.8	69	2.75	4.50	16.89	17.00	2.44	2	15.19	11.44	4.25	5.25	1.38	---	---	
364T-365T5	17.00	9.00	7.00	8.8	69	2.75	3.88	18.50	19.50	2.94	3	18.08	14.00	5.38	5.88	1.38	---	---	
404T-405T5	19.00	10.00	8.00	11.2	81	3.25	4.62	21.51	22.50	2.94	3	19.51	15.25	5.38	6.62	1.13	---	---	
444T-445T5	21.00	11.00	9.00	11.2	81	3.25	5.25	23.38	25.25	3.25	3	23.38	18.12	6.50	7.50	1.25	---	---	

(1)

FRAME SIZE	C	BS	B	2F	N	N-W(6)	U(3)	V	SO.	LGTH.	WEIGHT	SHAFT AND KEY		
												(4)	2XF	
254T	24.56	5.00	12.00	---	8.25	4.12	4.00	1.625	3.75	3.75	2.88	3.05	---	---
256T	24.56	5.00	12.00	10.00	---	4.12	4.00	1.625	3.75	3.75	2.88	3.15	---	---
284T	27.44	5.50	13.00	---	9.50	5.00	4.62	1.875	4.38	5.00	3.25	4.35	---	---
284T5	26.06	5.50	13.00	---	9.50	3.82	3.25	1.625	3.00	3.75	1.98	4.35	---	---
296T	27.44	5.50	13.00	11.00	---	5.00	4.62	1.875	4.38	5.00	3.25	4.50	---	---
296T5	26.06	5.50	13.00	11.00	---	3.82	3.25	1.625	3.00	3.75	1.98	4.50	---	---
324T	30.44	6.00	14.75	---	10.50	5.82	5.25	2.125	5.00	5.00	3.88	5.40	---	---
324T5	28.94	6.00	14.75	---	10.50	4.12	3.75	1.875	3.50	5.00	3.88	5.40	---	---
326T	28.94	6.00	14.75	12.00	---	4.12	3.75	1.875	3.50	5.00	3.88	5.80	---	---
326T5	28.94	6.00	14.75	12.00	---	4.12	3.75	1.875	3.50	5.00	2.00	5.80	---	---
364T	33.44	6.12	15.00	---	11.25	6.25	5.88	2.375	5.62	6.25	4.25	6.00	---	---
364T5	31.31	6.12	15.00	---	11.25	4.12	3.75	1.875	3.50	5.00	2.00	7.94	---	---
365T	33.44	6.12	15.00	12.25	---	6.25	5.88	2.375	5.62	6.25	4.25	8.40	---	---
365T5	31.31	6.12	15.00	12.25	---	4.12	3.75	1.875	3.50	5.00	2.00	8.34	---	---
404T	38.31	6.88	16.00	---	12.25	7.50	7.25	2.875	7.00	7.50	5.62	11.20	---	---
404T5	38.31	6.88	16.00	---	12.25	4.25	2.125	4.00	5.00	5.00	2.75	11.11	---	---
405T	38.31	6.88	16.00	13.75	---	7.50	7.25	2.875	7.00	7.50	5.62	11.60	---	---
405T5	35.31	6.88	16.00	13.75	---	4.50	4.25	2.125	4.00	5.00	2.75	11.51	---	---
444T	44.62	8.25	19.00	---	14.50	8.94	8.50	3.375	8.25	8.75	6.88	15.40	---	---
444T5	40.88	8.25	19.00	---	14.50	5.19	4.75	2.375	4.50	6.25	3.00	15.24	---	---
445T	44.62	8.25	19.00	16.50	---	8.94	8.50	3.375	8.25	8.75	6.88	17.30	---	---
445T5	40.88	8.25	19.00	16.50	---	5.19	4.75	2.375	4.50	6.25	3.00	17.14	---	---

(1)

- (1) SPECIAL DIMENSIONS APPLYING TO THIS ORDER ON THIS LINE. CONDUIT BOX LOCATED ON OPPOSITE SIDE WHEN F-2-W-1, W-4-M-SH-7, OR C-1 MOUNTING IS SPECIFIED.
- (2) "D" VARIES UP TO 1.625 DIA. +.000, -.03. IF MOUNTING CLEARANCE DETAILS ARE REQUIRED, CONSULT FACTORY.
- (3) "U" VARIES UP TO 1.625 DIA. +.0000, -.0005. MAXIMUM PERMISSIBLE SHAFT RUNOUT WHEN MEASURED AT END OF STD. SHAFT EXTENSION IS .002 T.I.R. UP TO AND INCLUDING 1.625 DIA. AND .003 T.I.R. 1.625 DIA. TO 5 INCH DIA.
- (4) ALL FRAMES HAVE EIGHT MOUNTING HOLES FOR DUAL MOUNTING.
- (5) MOTOR WEIGHTS MAY VARY BY 1% DEPENDING UPON RATING.
- (6) "N-W" VARIES +.00, -.25.

FRAME _____ TYPE _____ CERTIFIED FOR _____ RPM _____ APPROVED BY _____ PH _____ HZ _____ VOLTS _____
 ORDER _____ ITEM _____ HP _____
 RELIANCE SALES ORDER _____ DATE _____

CUSTOMER IS RESPONSIBLE FOR DETERMINING THAT BALDOR'S PRODUCT WILL PERFORM SUITABLY IN THE INTENDED APPLICATION.

REV. DESC: UPDATE TITLE SHEET 2	VERSION: 02	TDR: 00000498266
FILE: \RAG\00000\167		REVISED: 07: 05: 46 04/29/2009
MTL: -		BY: RAGEC

Baldor • Dodge • Reliance

DIM SHEET 250T THRU 440T

SH 1 of 1

611740-001-SH1

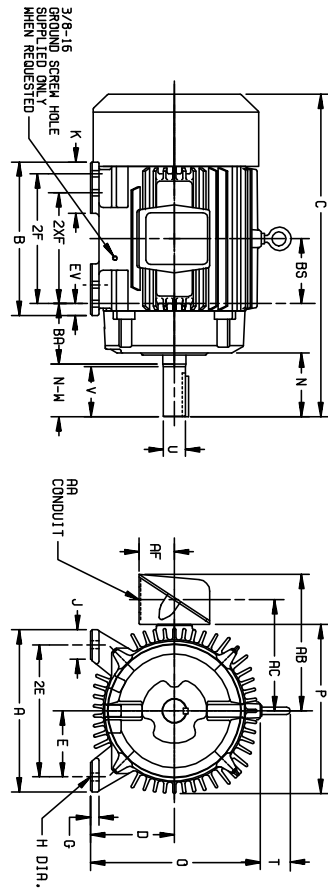
611740-001-SH2

DUTY MASTER ALTERNATING CURRENT MOTORS
SQUIREL-CAGE INDUCTION

ENCLOSURE: TOTALLY ENCLOSED
MOUNTING: FOOT

FRAMES 250T THRU 440T

COOLING: FAN COOLED



DIMENSIONS ARE IN MILLIMETERS. SEE SHEET 1 FOR DIMENSIONS IN INCHES.

FRAME	A	D(2)	E	G	H	J	K	O	P	T	STEEL TERMINAL BOX				EA	EV
254T-256T	317.5	158.8	127.0	19.0	14.2	63.5	---	336.5	336.5	62.0	1-1/4	273.0	222.3	63.5	108.0	25.4
264T-266T	349.2	177.8	139.7	19.0	14.2	63.5	---	374.6	378.0	62.0	1-1/2	323.8	254.0	81.0	120.7	25.4
324T-326T	393.7	203.2	158.8	22.4	17.5	69.9	114.3	423.9	431.8	62.0	2	385.8	290.6	108.0	133.3	35.1
364T-365T	431.8	228.6	177.8	22.4	17.5	69.9	98.6	469.9	495.3	74.7	3	458.7	355.6	136.7	149.4	35.1
404T-405T	482.6	254.0	203.2	28.4	20.6	82.5	117.3	541.3	571.5	74.7	3	490.5	397.3	136.7	168.1	28.7
444T-445T	533.4	279.4	228.6	28.4	20.6	82.5	133.3	593.9	641.3	82.5	3	593.9	460.2	165.1	190.5	31.7

FRAME	C	BS	B	ZF	(4) 2XF	N	N-M(6)	U(S)	V	SO	LGTH.	WEIGHT
SIZE	G	BS	B	ZF	(4) 2XF	N	N-M(6)	U(S)	V	SO	LGTH.	WEIGHT
254T	623.8	127.0	304.8	---	209.6	104.6	101.6	41.27	93.3	93.2	73.2	138
264T	623.8	127.0	304.8	254.0	---	104.6	101.6	41.27	93.3	93.2	73.2	142
284T	697.0	138.7	330.2	---	241.3	127.0	117.3	47.63	111.3	127.0	82.5	197
284T	661.9	138.7	330.2	279.4	---	127.0	117.3	47.63	111.3	127.0	82.5	204
286T	697.0	138.7	330.2	279.4	---	127.0	117.3	47.63	111.3	127.0	82.5	204
286T	661.9	138.7	330.2	279.4	---	127.0	117.3	47.63	111.3	127.0	82.5	204
324T	773.2	152.4	374.6	---	266.7	142.7	133.3	53.97	127.0	127.0	86.6	244
324T	735.1	152.4	374.6	---	266.7	142.7	133.3	53.97	127.0	127.0	86.6	244
326T	773.2	152.4	374.6	---	266.7	142.7	133.3	53.97	127.0	127.0	86.6	244
326T	735.1	152.4	374.6	---	266.7	142.7	133.3	53.97	127.0	127.0	86.6	244
364T	849.4	155.4	381.0	---	285.7	158.8	149.4	60.33	142.7	158.8	108.0	362
364T	795.3	155.4	381.0	---	285.7	158.8	149.4	60.33	142.7	158.8	108.0	362
365T	849.4	155.4	381.0	311.1	---	158.8	149.4	60.33	142.7	158.8	108.0	378
365T	795.3	155.4	381.0	311.1	---	158.8	149.4	60.33	142.7	158.8	108.0	378
404T	973.1	174.8	406.4	---	311.1	190.5	184.1	73.02	177.8	190.5	142.7	508
404T	896.9	174.8	406.4	---	311.1	190.5	184.1	73.02	177.8	190.5	142.7	508
405T	973.1	174.8	406.4	349.2	---	190.5	184.1	73.02	177.8	190.5	142.7	526
405T	896.9	174.8	406.4	349.2	---	190.5	184.1	73.02	177.8	190.5	142.7	526
444T	1133.3	209.6	482.6	---	388.3	227.1	215.9	85.12	209.6	222.2	174.8	699
444T	1038.4	209.6	482.6	---	388.3	227.1	215.9	85.12	209.6	222.2	174.8	699
445T	1133.3	209.6	482.6	419.1	---	227.1	215.9	85.12	209.6	222.2	174.8	784
445T	1038.4	209.6	482.6	419.1	---	227.1	215.9	85.12	209.6	222.2	174.8	784

- (1) SPECIAL DIMENSIONS APPLYING TO THIS ORDER ON THIS LINE. CONDUIT BOX LOCATED ON OPPOSITE SIDE WHEN F-2-W-1, W-4-W-5-W-7, OR C-1 MOUNTING IS SPECIFIED.
- (2) "D" VARIES — 250T - 320T +0, -8.
 360T - 440T +0, -1.5.
 UP TO 41.27 DIA. +0.00, -0.13
- (3) "U" VARIES — 41.27 AND LARGER +.00, -.03
- (4) ALL FRAMES HAVE EIGHT MOUNTING HOLES FOR DUAL MOUNTING.
- (5) MOTOR WEIGHTS MAY VARY BY 15% DEPENDING UPON RATING.
- (6) "N-W" VARIES +.0, -6.4.
- (7) DIMENSIONS ARE IN INCHES.

FRAME _____ TYPE _____ CERTIFIED FOR _____
 ORDER _____ ITEM _____ HP _____ RPM _____ PH _____ HZ _____ VOLTS _____
 RELIANCE SALES ORDER _____ APPROVED BY _____ DATE _____

CUSTOMER IS RESPONSIBLE FOR DETERMINING THAT BALDOR'S PRODUCT WILL PERFORM SUITABLY IN THE INTENDED APPLICATION.

REV. DESC: UPDATE TITLE	TDR: 000000498266
REV. LTR: B	VERSION: 02
FILE: \RAG\00000\168	REVISED: 14:03:30 04/28/2009
MTL: -	BY: RAGEC

Baldor • Dodge • Reliance

DIM SHEET 250T THRU 440T METRIC

SH 1 of 1

611740-001-SH2

416820-036

A-C MOTOR
CONNECTION DIAGRAM
STANDARD 3 LEAD CONNECTED



(N.P. 1575-BA)

416820-036

REV. DESC: LOADED TO BUS, C/R 335225		
REV. LTR: -	VERSION: 00	TDR: 000000538207
FILE: \MGA\00000\682	REVISED: 11:54:06 04/30/2010	
MTL: -	BY: RAGRA	

BALDOR
CONN DIAG - STANDARD 3 LEAD
SH 1 of 1