



Customer information packet

EM4406TS-4

150HP, 1785RPM, 3PH, 60HZ, 445TS, A4488M, TEFC

Class - None

Division - Not Applicable

Specifications

Enclosure	TEFC
Frame	445TS
Frame Material	Iron
Frequency	60.00 Hz
Motor Letter Type	Three Phase
Output @ Frequency	150.000 HP @ 60 HZ
Phase	3
Synchronous Speed @ Frequency	1800 RPM @ 60 HZ
Voltage @ Frequency	460.0 V @ 60 HZ
XP Class and Group	None
XP Division	Not Applicable
Agency Approvals	CSA EEV CCSA US
Ambient Temperature	40 °C
Auxillary Box	No Auxillary Box
Base Indicator	Rigid
Bearing Grease Type	Polyrex EM (-20F +300F)
Current @ Voltage	169.000 A @ 460.0 V
Design Code	B
Drip Cover	No Drip Cover
Duty Rating	CONT
Efficiency @ 100% Load	95.8 %
Feedback Device	NO FEEDBACK
Heater Indicator	No Heater
High Voltage Full Load Amps	169.0 a
Insulation Class	F
Inverter Code	Inverter Ready
KVA Code	F
Lifting Lugs	Standard Lifting Lugs
Motor Lead Quantity/Wire Size	3 @ 1/0 AWG
Motor Standards	NEMA
Motor Type	A4488M

Part detail

Revision	N
Type	AC
Mech. spec.	
Base	
Status	PRD/A
Elec. spec.	A44WG3335
Layout	617427-004
Eff. date	11-06-2020
CD Diagram	416820-036
Poles	04
Leads	3#1/0 Y
Proprietary	False
Created date	08-13-2012

Mounting Arrangement	F1
Number of Poles	4
Overall Length	41.08 IN
Power Factor	86
Product Family	Other
Pulley End Bearing Type	Ball
Pulley Face Code	Standard
Service Factor	1.15
Shaft Ground Indicator	No Shaft Grounding
Shaft Rotation	Reversible
Shaft Slinger Indicator	No Slinger
Speed	1785 rpm
Speed Code	Single Speed
Starting Method	Direct on line
Thermal Device - Bearing	None
Thermal Device - Winding	None

Nameplate

NP2383L

CAT.NO.	EM4406TS-4			SPEC NO.	P44G3909				
HP	150	AMPS	169	VOLTS	460	DESIGN	B		
FRAME	445TS	RPM	1785	HZ	60	AMB	40	SF	1.15
DRIVE END BEARING	90BC03J30X		PHASE	3	DUTY	CONT	INSUL.CLASS	F	
OPP D.E. BEARING	90BC03J30X		TYPE	P	ENCL	TEFC	CODE	F	
SER.NO.				POWER FACTOR	86	NEMA-NOM-EFFICIENCY	95.8		
NEMA NOM/CSA QUOTED EFF				MAX CORR KVAR	30.0	GUARANTEED EFFICIENCY	95.0		
				MOTOR WEIGHT	2071				

Parts list

Part number	Description	Quantity
SA249403	SA P44G3909	1.000 ea
RA236268	RA P44G3909	1.000 ea
421948051	LABEL, MYLAR	1.000 ea
000613006PU	N/P (RELEASE QTY 10,000) UL CSA LABEL	1.000 ea
000692000FF	N/P	1.000 ea
000692000VD	LABEL WARNING	1.000 ea
NP2383L	SUPER-E ,SS, CC, CSA-C US, CSA EEV	1.000 ea
412118006A	DRAIN	2.000 ea
089490099A	G28 BRKT 089490098WCA KB	1.000 ea
415072001B	CLAMP	1.000 ea
083199126RA	G28 MOLDED FAN COVER W/BAFFLE ASSEMBLY	1.000 ea
034180014DA	KEY 1/4X1/4X1-3/4 L	1.000 ea
078548001R	FAN KB 234/150 (84) 400	1.000 ea
004824015A	GREASE POLYREX EM	1.160 lb
032018020FK	HHCS 3/4-10X2-1/2 PLTD.	4.000 ea
032018008CK	HHCS 3/8-16X1L PLATED	4.000 ea
032018030DK	HHCS 1/2-13X3-3/4 PLTD.	3.000 ea
032018030DK	HHCS 1/2-13X3-3/4 PLTD.	3.000 ea
415096002A	CPLG 1/8 HEX TYPE	1.000 ea
410700004A	WSHR	1.000 ea
034017014AB	LCKW 3/8 STD. PLATED	4.000 ea
034530064AB	P/NIP 1/8 X 8" L Pipe Nipple	1.000 ea
089490099A	G28 BRKT 089490098WCA KB	1.000 ea
032018020FK	HHCS 3/4-10X2-1/2 PLTD.	4.000 ea
702658001A	CONDUIT BOX, E440	1.000 ea
702658002A	+C/BOX CVR, PAINTED 440	1.000 ea
415915007G	GASK, LAC	1.000 ft
406056008A	GASKET, TERBD 440	1.000 ea
418153001A	GASK 440	1.000 ea
032018008DK	HHCS 1/2-13X1 PLATED	4.000 ea
415000103D	T/LUG #4AWG-1/0AWG W/HOLE FOR .250 BOLT	1.000 ea

033512006LB	HHTTS 1/4-20X3/4 PLTD.	8.000 ea
406099000A	PLUG - FAN COVER 320-440	1.000 ea
033512004LB	HHTTS 1/4-20X1/2 PLTD.	1.000 ea
MG1025Y17	WILKOFAS, 789.701, SUPER E PEARL GOLD	0.250 ga
033775004EA	DRSCR #6-1/4 304 S.S.	2.000 ea
034180024HA	KEY 5/8X5/8X3 L	1.000 ea
035000001A	ALFTG 1/8" 1610-BL	1.000 ea
034690002AB	PPLG 1/4" PLTD.	1.000 ea
034690005AB	PPLG 3/4 PLATED	2.000 ea
418151014G	RETAIN RING	1.000 ea
032018004BK	HHCS 5/16-18X1/2 PLATED	3.000 ea
035000001A	ALFTG 1/8" 1610-BL	1.000 ea
415096002A	CPLG 1/8 HEX TYPE	1.000 ea
702623013A	THERMAL BARRIER -- G28 -- BRACKET MTD	1.000 ea
034017013AB	LCKW 5/16 STD. PLATED	3.000 ea
034690002AB	PPLG 1/4" PLTD.	1.000 ea
034530044AB	P/NIP 1/8X5-1/2L GALV.	1.000 ea
032620016LA	SOCKET SET SCREW-449	3.000 ea
PK5004A09	BASE 48 X 39-1/4 STACK 2 X 4 RUNNER	1.000 ea

Accessories

Part number	Description	Multiplier
089490106A	G28 C-FACE BRKT MACH-6318 089490105WCA	P1
089490110A	D-FLANGE BRKT, G28 089490109WCA	P1

617427-004

DUTY MASTER ALTERNATING CURRENT MOTORS

SQUIRREL-CAGE INDUCTION

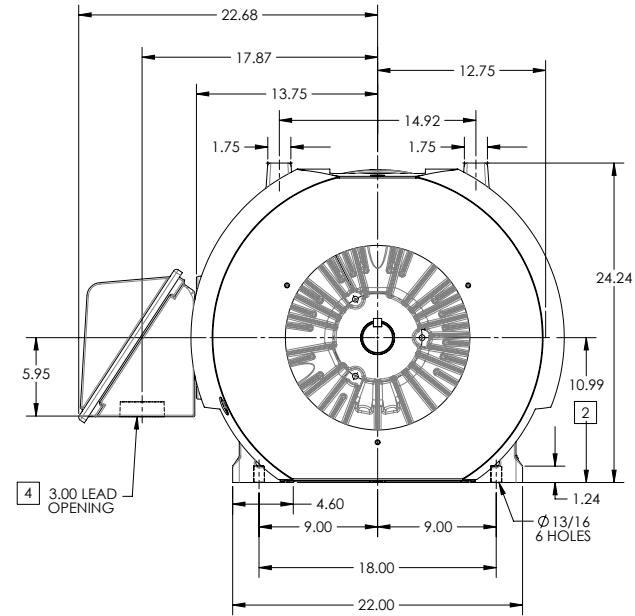
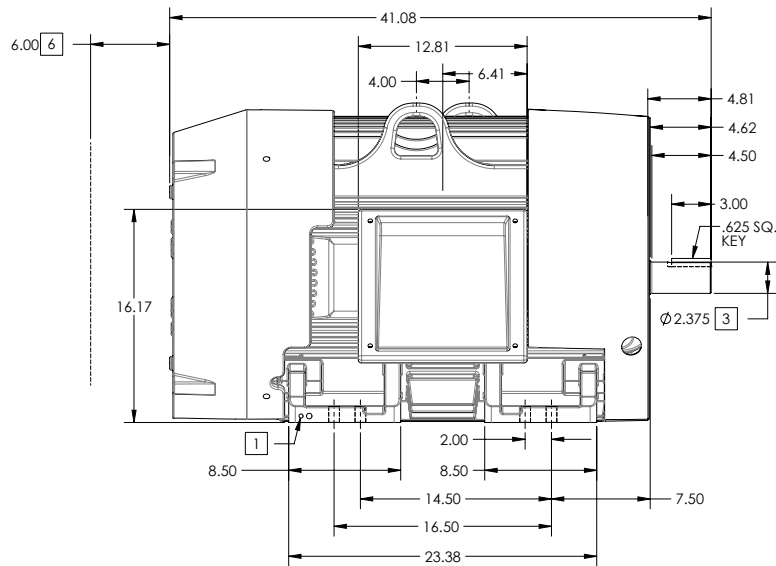
ENCLOSURE: TOTALLY ENCLOSED

FRAME G445TS ABOVE NEMA RATINGS

COOLING: FAN COOLED

MOUNTING: FOOT

INCLUDES 444TS FRAME MOUNTING HOLES



1. GROUND HOLES QTY 1 1/2-13 TAP; QTY 1 3/8-16 TAP
2. VARIES +.00,-.06
3. VARIES +.00,-.001
4. ON STANDARD MOTORS THIS IS CONDUIT SIZE. ON XT AND CORROSION PROOF MOTOR THIS IS PIPE TAP.
5. MOTOR WEIGHTS MAY VARY BY 1.5% DEPENDING ON RATING.
6. OBSTRUCTION MUST NO ENCROACH ON AIR INLET

CONDUIT BOX LOCATED ON OPPOSITE SIDE WHEN F-2.
IF MOUNTING CLEARANCE DETAILS ARE REQUIRED, CONSULT FACTORY.
MAXIMUM PERMISSIBLE SHAFT RUNOUT WHEN MEASURED AT END OF STANDARD SHAFT EXTENSION IS .003" T.I.R. TO 5 INCH DIA.

5 WEIGHT (LBS): 2100

DRIVE END AIR DEFLECTOR IS ONLY INCLUDED WHEN NECESSARY.

DIMENSIONS ARE IN INCHES; SEE SHEET 2 FOR DIMENSIONS IN MILLIMETERS

CUSTOMER IS RESPONSIBLE FOR DETERMINING THAT MOTOR PERFORMANCE IS SUITABLE IN THE APPLICATION.

SHEET NUMBER
1 OF 2

F007-2727-19

REV. DESC: ADJUSTED OVERALL LENGTH DIMENSION	TDR: 00000816614
REV: D VERSION: 04	REVISED: 01-45-46 09/09/2013
MODEL NO. 617427-004	REF:
BY: RAGSS1	Material:

BALDOR

G445TS-444TS STD - FOOTED - SIDE/CENTER C/B

617427-004

617427-004

DUTY MASTER ALTERNATING CURRENT MOTORS

SQUIRREL-CAGE INDUCTION

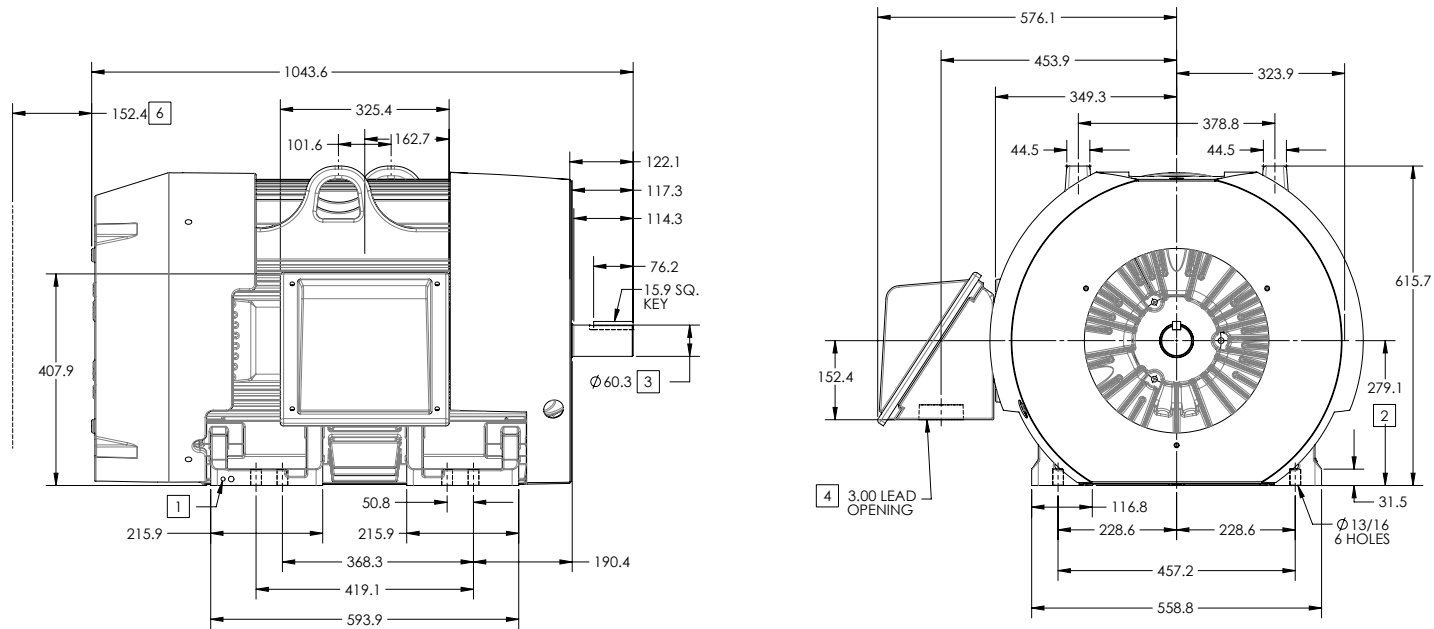
ENCLOSURE: TOTALLY ENCLOSED

FRAME G445TS ABOVE NEMA RATINGS

COOLING: FAN COOLED

MOUNTING: FOOT

INCLUDES 444TS FRAME MOUNTING HOLES



- 1. GROUND HOLES QTY 1 1/2-13 TAP; QTY 1 3/8-16 TAP
- 2. VARIES +.00,-.06
- 3. VARIES +.00,-.001
- 4. ON STANDARD MOTORS THIS IS CONDUIT SIZE. ON XT AND CORROSION PROOF MOTOR THIS IS PIPE TAP.
- 5. MOTOR WEIGHTS MAY VARY BY 15% DEPENDING ON RATING.
- 6. OBSTRUCTION MUST NO ENCROACH ON AIR INLET

CONDUIT BOX LOCATED ON OPPOSITE SIDE WHEN F-2.
IF MOUNTING CLEARANCE DETAILS ARE REQUIRED, CONSULT FACTORY.
MAXIMUM PERMISSIBLE SHAFT RUNOUT WHEN MEASURED AT END OF STANDARD SHAFT EXTENSION IS .08 MM T.I.R. TO 127 MM DIA.

[5] WEIGHT (KGS): 950

DRIVE END AIR DEFLECTOR IS ONLY INCLUDED WHEN NECESSARY.

DIMENSIONS ARE IN MILLIMETERS; SEE SHEET 1 FOR DIMENSIONS IN INCHES

CUSTOMER IS RESPONSIBLE FOR DETERMINING THAT MOTOR PERFORMANCE IS SUITABLE IN THE APPLICATION.

SHEET NUMBER
2 OF 2


FIGURE NUMBER
P007-2727-119

REV. DESC: ADJUSTED OVERALL LENGTH DIMENSION			
REV: D	VERSION: 04	REVISED: 01-45-46 09/09/2013	TDR: 000000816614
MODEL NO. 617427-004			REF:
BY: RAGSS1	Material:		

BALDOR

G445TS-444TS STD - FOOTED - SIDE-CENTER C/B

617427-004

SHAFT-BLK	Sample- <u>BLK</u>	Diameter AP	Sequence # 0000001 A	Material Spec BLKAP0000001A																																																																																																																																											
	<table border="1" style="width: 100%; border-collapse: collapse;"> <thead> <tr> <th style="width: 10%;">Diameter</th> <th style="width: 10%;">Code</th> <th style="width: 10%;">Sequence #</th> <th style="width: 40%;">Material Spec</th> <th style="width: 10%;">Code</th> </tr> </thead> <tbody> <tr><td>1.5</td><td>AA</td><td>XXXXXXX</td><td>046024-</td><td></td></tr> <tr><td>1.625</td><td>AB</td><td></td><td>FS CL1</td><td>A</td></tr> <tr><td>1.75</td><td>AC</td><td></td><td>FS CL2</td><td>B</td></tr> <tr><td>2</td><td>AD</td><td></td><td>AHS</td><td>C</td></tr> <tr><td>2.0625</td><td>AE</td><td></td><td>Z</td><td>D</td></tr> <tr><td>2.125</td><td>AF</td><td></td><td>NZ</td><td>E</td></tr> <tr><td>2.25</td><td>AG</td><td></td><td>GK</td><td>F</td></tr> <tr><td>2.5</td><td>AH</td><td></td><td>KA</td><td>G</td></tr> <tr><td>2.5625</td><td>AJ</td><td></td><td>APR CLVIII</td><td>J</td></tr> <tr><td>2.625</td><td>AK</td><td></td><td>LK</td><td>K</td></tr> <tr><td>2.75</td><td>AL</td><td></td><td>FS CL4</td><td>L</td></tr> <tr><td>3</td><td>AM</td><td></td><td>AAJ</td><td>M</td></tr> <tr><td>3.125</td><td>AN</td><td></td><td>HV</td><td>N</td></tr> <tr><td>3.25</td><td>AP</td><td></td><td>TB</td><td>P</td></tr> <tr><td>3.375</td><td>AQ</td><td></td><td>MR3008D38</td><td>Q</td></tr> <tr><td>3.5</td><td>AR</td><td></td><td>MU3000C75</td><td>R</td></tr> <tr><td>3.75</td><td>AS</td><td></td><td>MU3000D38</td><td>S</td></tr> <tr><td>3.875</td><td>AT</td><td></td><td>MU3002D12</td><td>T</td></tr> <tr><td>4.25</td><td>AU</td><td></td><td>MU3002D75</td><td>V</td></tr> <tr><td>4.5</td><td>AV</td><td></td><td>MU3003E75</td><td>W</td></tr> <tr><td>4.75</td><td>AW</td><td></td><td>MU3007D00</td><td>X</td></tr> <tr><td>5</td><td>AX</td><td></td><td></td><td></td></tr> <tr><td>5.25</td><td>AY</td><td></td><td></td><td></td></tr> <tr><td>5.5</td><td>AZ</td><td></td><td></td><td></td></tr> <tr><td>5.75</td><td>BA</td><td></td><td></td><td></td></tr> <tr><td>6.5</td><td>BB</td><td></td><td></td><td></td></tr> <tr><td>7.75</td><td>BC</td><td></td><td></td><td></td></tr> </tbody> </table>				Diameter	Code	Sequence #	Material Spec	Code	1.5	AA	XXXXXXX	046024-		1.625	AB		FS CL1	A	1.75	AC		FS CL2	B	2	AD		AHS	C	2.0625	AE		Z	D	2.125	AF		NZ	E	2.25	AG		GK	F	2.5	AH		KA	G	2.5625	AJ		APR CLVIII	J	2.625	AK		LK	K	2.75	AL		FS CL4	L	3	AM		AAJ	M	3.125	AN		HV	N	3.25	AP		TB	P	3.375	AQ		MR3008D38	Q	3.5	AR		MU3000C75	R	3.75	AS		MU3000D38	S	3.875	AT		MU3002D12	T	4.25	AU		MU3002D75	V	4.5	AV		MU3003E75	W	4.75	AW		MU3007D00	X	5	AX				5.25	AY				5.5	AZ				5.75	BA				6.5	BB				7.75	BC		
Diameter	Code	Sequence #	Material Spec	Code																																																																																																																																											
1.5	AA	XXXXXXX	046024-																																																																																																																																												
1.625	AB		FS CL1	A																																																																																																																																											
1.75	AC		FS CL2	B																																																																																																																																											
2	AD		AHS	C																																																																																																																																											
2.0625	AE		Z	D																																																																																																																																											
2.125	AF		NZ	E																																																																																																																																											
2.25	AG		GK	F																																																																																																																																											
2.5	AH		KA	G																																																																																																																																											
2.5625	AJ		APR CLVIII	J																																																																																																																																											
2.625	AK		LK	K																																																																																																																																											
2.75	AL		FS CL4	L																																																																																																																																											
3	AM		AAJ	M																																																																																																																																											
3.125	AN		HV	N																																																																																																																																											
3.25	AP		TB	P																																																																																																																																											
3.375	AQ		MR3008D38	Q																																																																																																																																											
3.5	AR		MU3000C75	R																																																																																																																																											
3.75	AS		MU3000D38	S																																																																																																																																											
3.875	AT		MU3002D12	T																																																																																																																																											
4.25	AU		MU3002D75	V																																																																																																																																											
4.5	AV		MU3003E75	W																																																																																																																																											
4.75	AW		MU3007D00	X																																																																																																																																											
5	AX																																																																																																																																														
5.25	AY																																																																																																																																														
5.5	AZ																																																																																																																																														
5.75	BA																																																																																																																																														
6.5	BB																																																																																																																																														
7.75	BC																																																																																																																																														
NOTE: DIMENSION ARE IN INCHES																																																																																																																																															
		REV. DESC: NEW - LOAD TO BUS		TDR:1061922																																																																																																																																											
REV: -		REVISED: 2/22/2018	BY: RAGJSS1																																																																																																																																												
		SHAFT BLANK PART NUMBER ASSIGNMENT																																																																																																																																													
																																																																																																																																															

416820-036

A-C MOTOR
CONNECTION DIAGRAM
STANDARD 3 LEAD CONNECTED



(N.P. 1575-BA)

416820-036

REV. DESC: LOADED TO BUS, C/R 335225		
REV. LTR: -	VERSION: 00	TDR: 000000538207
FILE: \MGA\00000\682	REVISED: 11:54:06 04/30/2010	
MTL: -	BY: RAGRA	

BALDOR

CONN DIAG - STANDARD 3 LEAD
SH 1 of 1