



---

# Customer information packet

## EM4410T-4

125HP, 1785RPM, 3PH, 60HZ, 444T, TEFC, F1

Class - None

Division - Not Applicable

## Specifications

Enclosure	TEFC
Frame	444T
Frame Material	Iron
Frequency	60.00 Hz
Motor Letter Type	Three Phase
Output @ Frequency	125.000 HP @ 60 HZ
Phase	3
Synchronous Speed @ Frequency	1800 RPM @ 60 HZ
Voltage @ Frequency	460.0 V @ 60 HZ
XP Class and Group	None
XP Division	Not Applicable
Agency Approvals	CSA EEV CCSA US
Ambient Temperature	40 °C
Auxillary Box	No Auxillary Box
Base Indicator	Rigid
Bearing Grease Type	Polyrex EM (-20F +300F)
Current @ Voltage	144.000 A @ 460.0 V
Design Code	B
Drip Cover	No Drip Cover
Duty Rating	CONT
Efficiency @ 100% Load	95.4 %
Feedback Device	NO FEEDBACK
Heater Indicator	No Heater
High Voltage Full Load Amps	144.0 a
Insulation Class	F
Inverter Code	Inverter Ready
KVA Code	G
Lifting Lugs	Standard Lifting Lugs
Motor Lead Quantity/Wire Size	6 @ 2 AWG
Motor Standards	NEMA
Motor Type	A44076M

## Part detail

Revision	M
Type	AC
Mech. spec.	
Base	
Status	PRD/A
Elec. spec.	A44WG5275
Layout	617427-476
Eff. date	11-06-2020
CD Diagram	416820-008
Poles	04
Leads	6#2
Proprietary	False
Created date	09-08-2015

<b>Mounting Arrangement</b>	F1
<b>Number of Poles</b>	4
<b>Overall Length</b>	44.75 IN
<b>Power Factor</b>	85
<b>Product Family</b>	Other
<b>Pulley End Bearing Type</b>	Ball
<b>Pulley Face Code</b>	Standard
<b>Service Factor</b>	1.15
<b>Shaft Ground Indicator</b>	No Shaft Grounding
<b>Shaft Rotation</b>	Reversible
<b>Shaft Slinger Indicator</b>	No Slinger
<b>Speed</b>	1785 rpm
<b>Speed Code</b>	Single Speed
<b>Starting Method</b>	Wye Start - Delta Run
<b>Thermal Device - Bearing</b>	None
<b>Thermal Device - Winding</b>	None

**Nameplate**

**NP2383L**

<b>CAT.NO.</b>	EM4410T-4	<b>SPEC NO.</b>	A44-0001-5275						
<b>HP</b>	125	<b>AMPS</b>	144	<b>VOLTS</b>	460	<b>DESIGN</b>	B		
<b>FRAME</b>	444T	<b>RPM</b>	1785	<b>HZ</b>	60	<b>AMB</b>	40	<b>SF</b>	1.15
<b>DRIVE END BEARING</b>	90BC03J30X	<b>PHASE</b>	3	<b>DUTY</b>	CONT	<b>INSUL.CLASS</b>	F		
<b>OPP D.E. BEARING</b>	90BC03J30X	<b>TYPE</b>	P	<b>ENCL</b>	TEFC	<b>CODE</b>	G		
<b>SER.NO.</b>		<b>POWER FACTOR</b>	85	<b>NEMA-NOM-EFFICIENCY</b>	95.4				
<b>NEMA NOM/CSA QUOTED EFF</b>		<b>MAX CORR KVAR</b>	27	<b>GUARANTEED EFFICIENCY</b>	94.5				
		<b>MOTOR WEIGHT</b>	1969						

## Parts list

Part number	Description	Quantity
SA306875	SA A44-0001-5275	1.000 ea
RA294149	RA A44-0001-5275	1.000 ea
421948044	LABEL, MYLAR	1.000 ea
000613006PU	N/P (RELEASE QTY 10,000) UL CSA LABEL	1.000 ea
000692000VD	LABEL WARNING	1.000 ea
NP2383L	SUPER-E ,SS, CC, CSA-C US, CSA EEV	1.000 ea
412118006A	DRAIN	2.000 ea
034690005AB	PPLG 3/4 PLATED	1.000 ea
089490099A	G28 BRKT 089490098WCA KB	1.000 ea
415045002A	SLGR	1.000 ea
415072001B	CLAMP	1.000 ea
083199126RA	G28 MOLDED FAN COVER W/BAFFLE ASSEMBLY	1.000 ea
034180012DA	KEY 1X4X1/4X1-1/2 L	1.000 ea
078548001R	FAN KB 234/150 (84) 400	1.000 ea
004824015A	GREASE POLYREX EM	1.160 lb
032018020FK	HHCS 3/4-10X2-1/2 PLTD.	4.000 ea
032018010CK	HHCS 3/8-16X1-1/4 PLTD. 032018010CR	4.000 ea
032018030DK	HHCS 1/2-13X3-3/4 PLTD.	3.000 ea
415096002A	CPLG 1/8 HEX TYPE	1.000 ea
410700004A	WSHR	1.000 ea
034017014AB	LCKW 3/8 STD. PLATED	4.000 ea
034530064AB	P/NIP 1/8 X 8" L Pipe Nipple	1.000 ea
089490099A	G28 BRKT 089490098WCA KB	1.000 ea
415045002A	SLGR	1.000 ea
032018020FK	HHCS 3/4-10X2-1/2 PLTD.	4.000 ea
032018030DK	HHCS 1/2-13X3-3/4 PLTD.	3.000 ea
702658001A	CONDUIT BOX, E440	1.000 ea
702658002A	+C/BOX CVR, PAINTED 440	1.000 ea
415915007G	GASK, LAC	1.000 ft
406056008A	GASKET, TERBD 440	1.000 ea
418153001A	GASK 440	1.000 ea

032018008DK	HHCS 1/2-13X1 PLATED	4.000 ea
415000103D	T/LUG #4AWG-1/0AWG W/HOLE FOR .250 BOLT	1.000 ea
033512006LB	HHTTS 1/4-20X3/4 PLTD.	8.000 ea
406099000A	PLUG - FAN COVER 320-440	1.000 ea
033512004LB	HHTTS 1/4-20X1/2 PLTD.	1.000 ea
MG1025Y17	WILKOFAST, 789.701, SUPER E PEARL GOLD	0.250 ga
033775004EA	DRSCR #6-1/4 304 S.S.	2.000 ea
034180054KA	7/8 SQ X 6.75 KEY	1.000 ea
035000001A	ALFTG 1/8" 1610-BL	1.000 ea
034690002AB	PPLG 1/4" PLTD.	1.000 ea
032018004BK	HHCS 5/16-18X1/2 PLATED	3.000 ea
035000001A	ALFTG 1/8" 1610-BL	1.000 ea
415096002A	CPLG 1/8 HEX TYPE	1.000 ea
032018006BK	HHCS 5/16-18X3/4 PLATED	3.000 ea
702623013A	THERMAL BARRIER -- G28 -- BRACKET MTD	1.000 ea
034017013AB	LCKW 5/16 STD. PLATED	3.000 ea
034690002AB	PPLG 1/4" PLTD.	1.000 ea
034530044AB	P/NIP 1/8X5-1/2L GALV.	1.000 ea
032620016LA	SOCKET SET SCREW-449	3.000 ea
000692000FF	N/P	1.000 ea
604797045	STD. 400 FRAME SKID	1.000 ea

**Accessories**

<b>Part number</b>	<b>Description</b>	<b>Multiplier</b>
089490106A	G28 C-FACE BRKT MACH-6318 089490105WCA	P1

617427-476

**DUTY MASTER ALTERNATING CURRENT MOTORS**  
SQUIRREL-CAGE INDUCTION

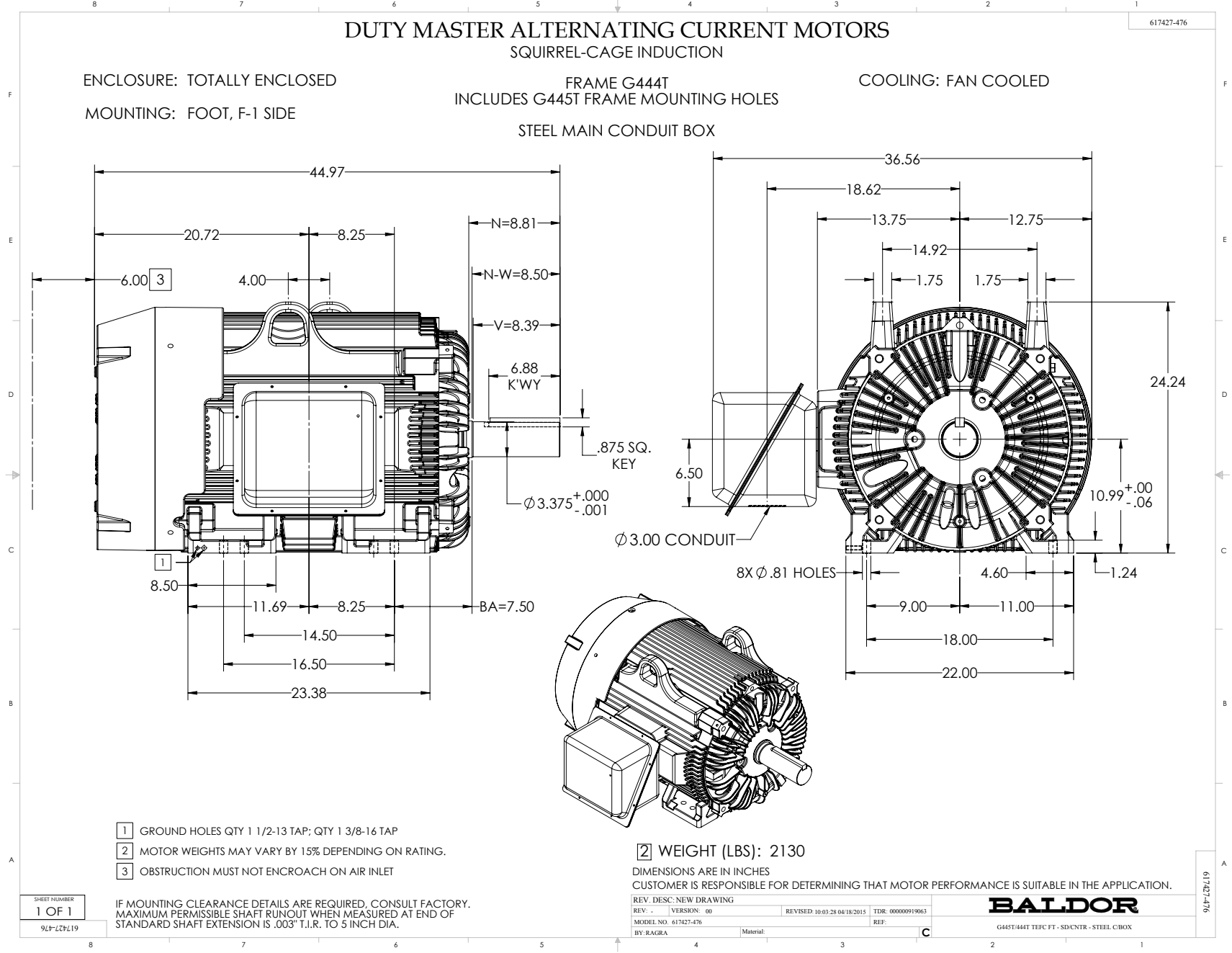
ENCLOSURE: TOTALLY ENCLOSED

MOUNTING: FOOT, F-1 SIDE

FRAME G444T  
INCLUDES G445T FRAME MOUNTING HOLES

STEEL MAIN CONDUIT BOX

COOLING: FAN COOLED



- 1 GROUND HOLES QTY 1 1/2-13 TAP; QTY 1 3/8-16 TAP
- 2 MOTOR WEIGHTS MAY VARY BY 15% DEPENDING ON RATING.
- 3 OBSTRUCTION MUST NOT ENCROACH ON AIR INLET

2 WEIGHT (LBS): 2130

DIMENSIONS ARE IN INCHES  
CUSTOMER IS RESPONSIBLE FOR DETERMINING THAT MOTOR PERFORMANCE IS SUITABLE IN THE APPLICATION.

SHEET NUMBER  
**1 OF 1**  
9LF-272119

IF MOUNTING CLEARANCE DETAILS ARE REQUIRED, CONSULT FACTORY.  
MAXIMUM PERMISSIBLE SHAFT RUNOUT WHEN MEASURED AT END OF  
STANDARD SHAFT EXTENSION IS .003" T.I.R. TO 5 INCH DIA.

REV. DESC: NEW DRAWING			
REV: -	VERSION: 00	REVISED: 10/03/28 04/18/2015	TDR: 00000919063
MODEL NO. 617427-476		REF:	
BY: RAGRA	Material:	C	

**BALDOR**

G445T-444T TEFC FT - SD/CNTR - STEEL C/BOX

617427-476

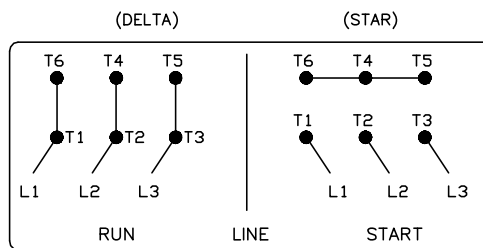
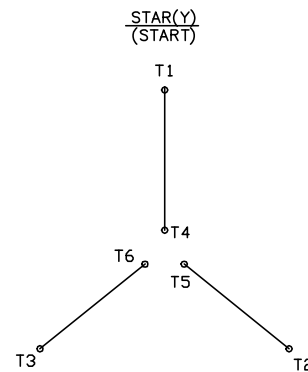
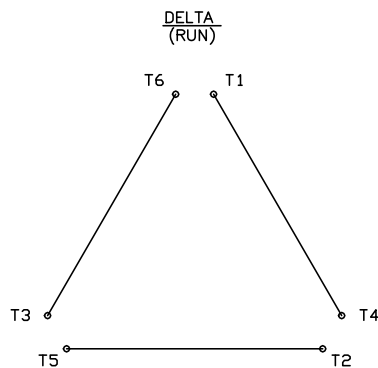


416820-008

# A-C MOTOR CONNECTION DIAGRAM

STANDARD 6 LEAD

Y START – DELTA RUN



< N. P. 1767-DC >

REV. DESC: ADDED T4 TO Y CONNECT DIAGRAM		
REV. LTR: D	VERSION: 04	TDR: 00000847713
FILE: \RAG\00001\808	REVISED: 10: 41: 26 04/08/2014	BY: RAGJSS1
MTL: -		© □

**BALDOR**

CONNECT DIAGRAM STD 6 LEAD Y START DELTA RUN

SH 1 of 1

416820-008