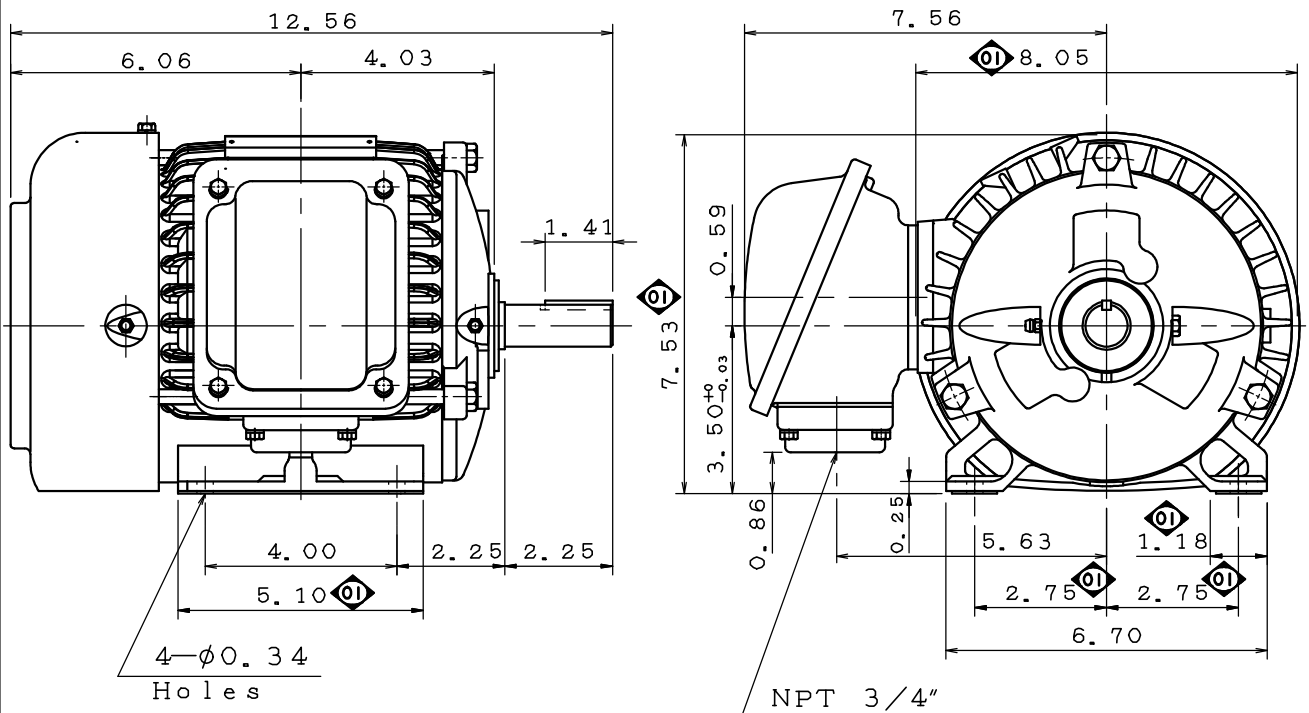


DATE	APRIL 1, 2020	OUTLINE DIMENSIONS	MOTOR TYPE:	AEHH8N
CATALOG NO.:	EP0014		3-PHASE INDUCTION MOTOR	FRAME NO.

Pole	HP	kW	Hz	VOLT	r/min (rpm)
4	1	0.75	60	230/460	1800

Ins	Rating	Dimension in	Approx Weight	Bearings
F	CONT.	Inch	① 52 lbs	DE:6205ZZ NDE:6205ZZ

Totally Enclosed Fan-Cooled Type. Squirrel-Cage Rotor.



① 07 23 19 Weight & Dimensions Mahato

DWG.	W. F. PON	05.17.19	TECO Westinghouse	DWG NO.	31049R339021
CHKD.	M. C. JENG	05.30.19			
APPD.	M. C. JENG	05.30.19			

TECO Westinghouse

ISSUED 8/15/2014	PERFORMANCE DATA 3-PHASE INDUCTION MOTOR	ENCLOSURE TEFC
TYPE AEHH8N		CATALOG# EP0014

NAMEPLATE INFORMATION

OUTPUT		POLE	FRAME SIZE	VOLTAGE	HZ	RATED AMBIENT	INS. CLASS	NEMA DESIGN	TIME RATING	SERVICE FACTOR
HP	KW									
1	0.7	4	143T	230/460	60	40°C	F	B	CONT.	1.15

VARIABLE FREQUENCY DRIVE SERVICE

VARIABLE TORQUE				OHMS/PHASE EQUIVALENT WYE CIRCUIT (AT RATED OPERATING TEMPERATURE 25°C)				
HZ	HP	RPM	TORQUE (lb-ft)	R1	R2	X1	X2	X _m
3~60	0.0001~1	90~1800	0.006~3.009	8.1425	6.5479	18.783	11.565	313.61

CONSTANT TORQUE				CONSTANT HORSEPOWER			
HZ	HP	RPM	TORQUE (lb-ft)	HZ	HP	RPM	TORQUE (lb-ft)
6~60	.1~1	180~1800	3.009	60~120	1	1800~3600	3.009~1.505

TYPICAL PERFORMANCE

FULL LOAD RPM	EFFICIENCY				POWER FACTOR			SOUND PRESSURE LEVEL @ 3 FT Db(A)
	FULL LOAD		3/4 LOAD %	1/2 LOAD %	FULL LOAD %	3/4 LOAD %	1/2 LOAD %	
	MIN.%	NOM.%						
1745	82.5	85.5	84	81.5	73	64.5	51.5	49

CURRENTS									NEMA KVA CODE LETTER	SAFE STALL TIME IN SECONDS	
NO LOAD			FULL LOAD			LOCKED ROTOR				COLD	HOT
AT 208 VOLT	AT 230 VOLT	AT 460 VOLT	AT 208 VOLT	AT 230 VOLT	AT 460 VOLT	AT 208 VOLT	AT 230 VOLT	AT 460 VOLT			
1.67	1.60	0.8	3.32	3.00	1.50	27.1	30.0	15	N	71	50

TORQUE				INERTIA			ACCEL TIME (DOL)		ALLOWABLE STARTS PER HOUR	
FULL LOAD (lb-ft)	LOCKED ROTOR %FLT	PULL UP %FLT	BREAK DOWN %FLT	ROTOR WR ² (lb-ft ²)	NEMA LOAD WK ² (lb-ft ²)	MAX ALLOWABLE WK ² (lb-ft ²)	NEMA LOAD WK ² Sec	MAX ALLOWABLE WK ² Sec	COLD	HOT
3.01	310	280	410	0.086	5.8	46	3.41	26.70	2	1

APPROVED:	M. PRATER	DRAWING NO.	31057EP0014	REVISION:	1
-----------	------------------	-------------	--------------------	-----------	----------

DATE:
June 17, 2005

CONNECTION DIAGRAM

CATALOG NO.:
EP0014



SCHEMATIC - 2Y/Y CONNECTION

ACROSS THE LINE CONNECTION



**LINE
230 VOLT CONNECTION**



**LINE
460 VOLT CONNECTION**