

DATE
January 20, 2009
CAT. #: EP0034C

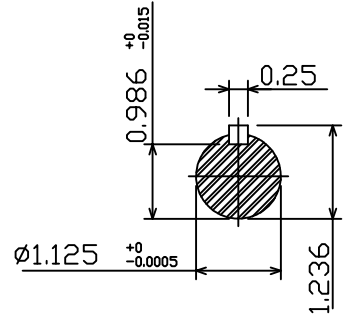
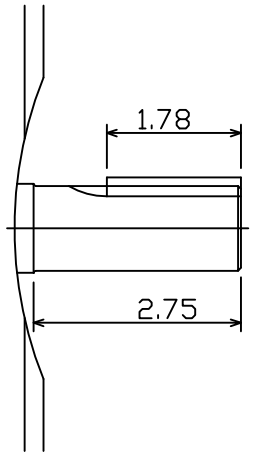
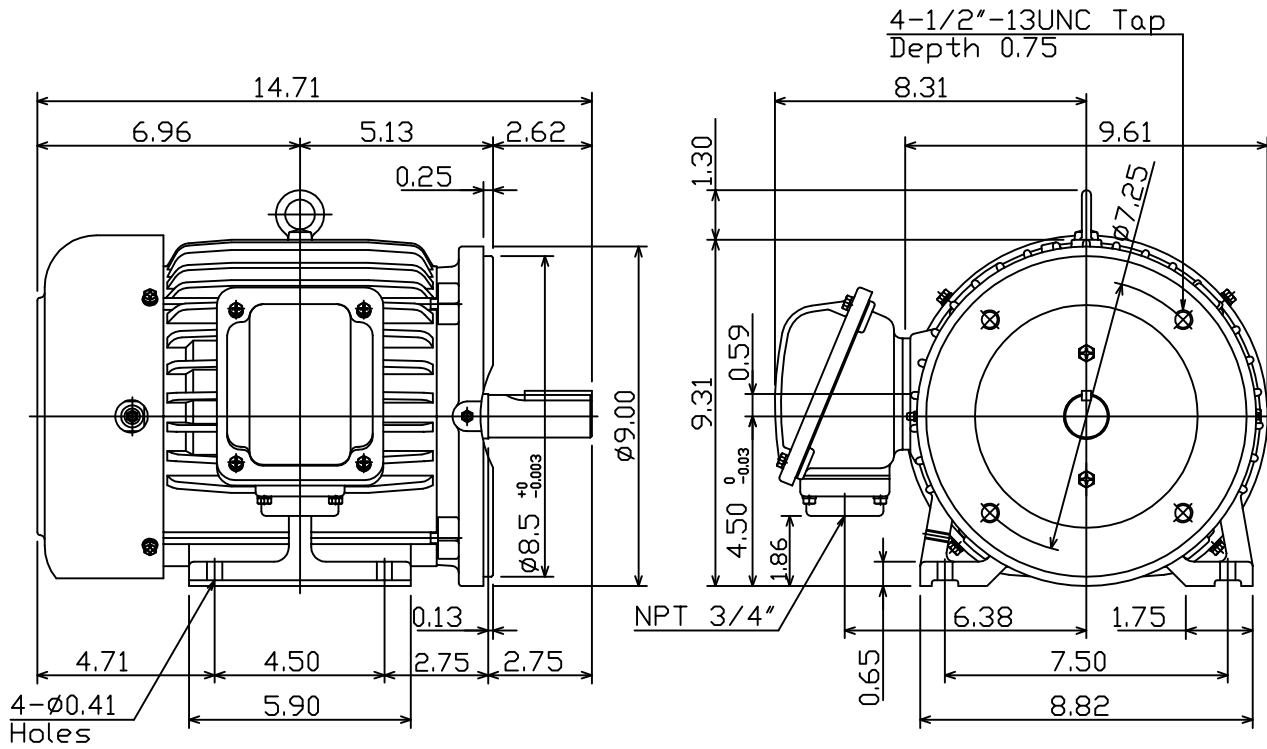
OUTLINE DIMENSIONS
3-PHASE INDUCTION MOTOR

MOTOR TYPE:
AEHH8N-CF
FRAME NO. 182TC

| Pole | HP | kW | Hz | VOLT | Syn.Speed r/min(rpm) |
|------|----|-----|----|---------|-------------------------|
| 4 | 3 | 2.2 | 60 | 230/460 | 1800 |

| Ins | Rating | Dimension in | Approx Weight | Bearings |
|-----|--------|--------------|---------------|------------------------|
| F | CONT. | inches | 100 lbs | DE: 6306ZZ NDE: 6306ZZ |

Totally Enclosed Fan-Cooled Type.Squirrel-Cage Rotor.



| | | | |
|--|--|--|--|
| | | | |
|--|--|--|--|

| | | |
|-------|-----------|----------|
| DWN. | D.V.CHIAN | 09-13-04 |
| CHKD. | C.S.LO | 09-20-04 |
| APPD. | M.C.TSAI | 09-20-04 |



DWG NO.
31049M891080

TECO Westinghouse

| | | |
|----------------------------|---|----------------------------|
| ISSUED 8/15/2014 | PERFORMANCE DATA 3-PHASE INDUCTION MOTOR | ENCLOSURE TEFC |
| TYPE AEHH8N | | CATALOG# EP0034C |

NAMEPLATE INFORMATION

| OUTPUT | | POLE | FRAME SIZE | VOLTAGE | HZ | RATED AMBIENT | INS. CLASS | NEMA DESIGN | TIME RATING | SERVICE FACTOR |
|----------|------------|----------|--------------|----------------|-----------|---------------|------------|-------------|--------------|----------------|
| HP | KW | | | | | | | | | |
| 3 | 2.2 | 4 | 182TC | 230/460 | 60 | 40°C | F | B | CONT. | 1.15 |

VARIABLE FREQUENCY DRIVE SERVICE

| | | | | | | | | |
|-----------------|-----------------|----------------|--------------------|--|---------------|--------------|---------------|----------------|
| VARIABLE TORQUE | | | | OHMS/PHASE EQUIVALENT WYE CIRCUIT (AT RATED OPERATING TEMPERATURE 25°C) | | | | |
| HZ | HP | RPM | TORQUE (lb-ft) | R1 | R2 | X1 | X2 | X _m |
| 3~60 | 0.0004~3 | 90~1800 | 0.023~8.975 | 1.8318 | 2.0549 | 5.849 | 7.1997 | 158.39 |

| CONSTANT TORQUE | | | | CONSTANT HORSEPOWER | | | |
|-----------------|-------------|-----------------|----------------|---------------------|----------|------------------|--------------------|
| HZ | HP | RPM | TORQUE (lb-ft) | HZ | HP | RPM | TORQUE (lb-ft) |
| 6~60 | .3~3 | 180~1800 | 8.975 | 60~120 | 3 | 1800~3600 | 8.975~4.488 |

TYPICAL PERFORMANCE

| FULL LOAD RPM | EFFICIENCY | | | | POWER FACTOR | | | SOUND PRESSURE LEVEL @ 3 FT Db(A) |
|---------------|-------------|-------------|-------------|-------------|--------------|------------|-------------|-----------------------------------|
| | FULL LOAD | | 3/4 LOAD % | 1/2 LOAD % | FULL LOAD % | 3/4 LOAD % | 1/2 LOAD % | |
| | MIN.% | NOM.% | | | | | | |
| 1755 | 87.5 | 89.5 | 89.5 | 87.5 | 81.5 | 77 | 66.5 | 52 |

| CURRENTS | | | | | | | | | NEMA KVA CODE LETTER | SAFE STALL TIME IN SECONDS | |
|-------------|-------------|-------------|-------------|-------------|-------------|--------------|-------------|-------------|----------------------|----------------------------|-----------|
| NO LOAD | | | FULL LOAD | | | LOCKED ROTOR | | | | COLD | HOT |
| AT 208 VOLT | AT 230 VOLT | AT 460 VOLT | AT 208 VOLT | AT 230 VOLT | AT 460 VOLT | AT 208 VOLT | AT 230 VOLT | AT 460 VOLT | | | |
| 3.05 | 2.80 | 1.4 | 8.52 | 7.70 | 3.85 | 57.9 | 64.0 | 32 | K | 54 | 38 |

| TORQUE | | | | INERTIA | | | ACCEL TIME (DOL) | | ALLOWABLE STARTS PER HOUR | |
|-------------------|-------------------|--------------|-----------------|---|---|---|-------------------------------|-----------------------------------|---------------------------|----------|
| FULL LOAD (lb-ft) | LOCKED ROTOR %FLT | PULL UP %FLT | BREAK DOWN %FLT | ROTOR WR ² (lb-ft ²) | NEMA LOAD WK ² (lb-ft ²) | MAX ALLOWABLE WK ² (lb-ft ²) | NEMA LOAD WK ² Sec | MAX ALLOWABLE WK ² Sec | COLD | HOT |
| 8.98 | 225 | 175 | 300 | 0.367 | 17 | 74 | 4.56 | 19.54 | 2 | 1 |

| | | | | | |
|-----------|------------------|-------------|---------------------|-----------|----------|
| APPROVED: | M. PRATER | DRAWING NO. | 31057EP0034C | REVISION: | 1 |
|-----------|------------------|-------------|---------------------|-----------|----------|