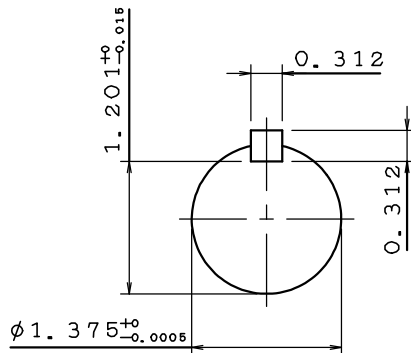
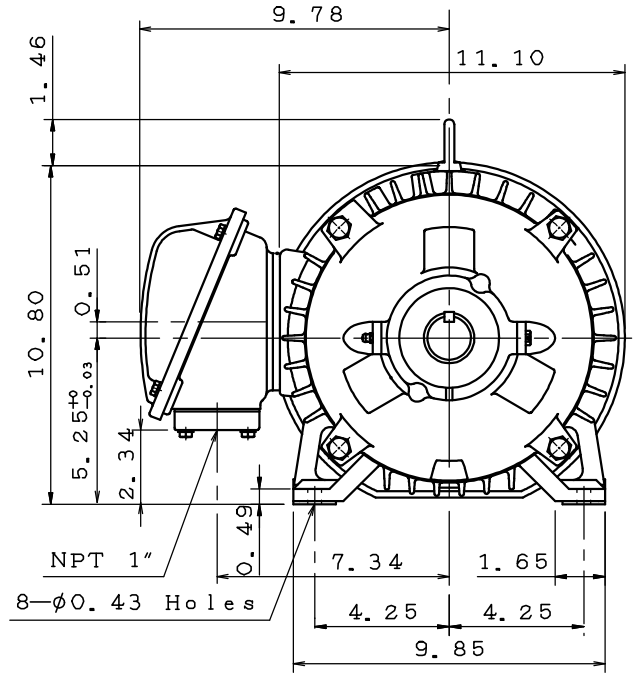
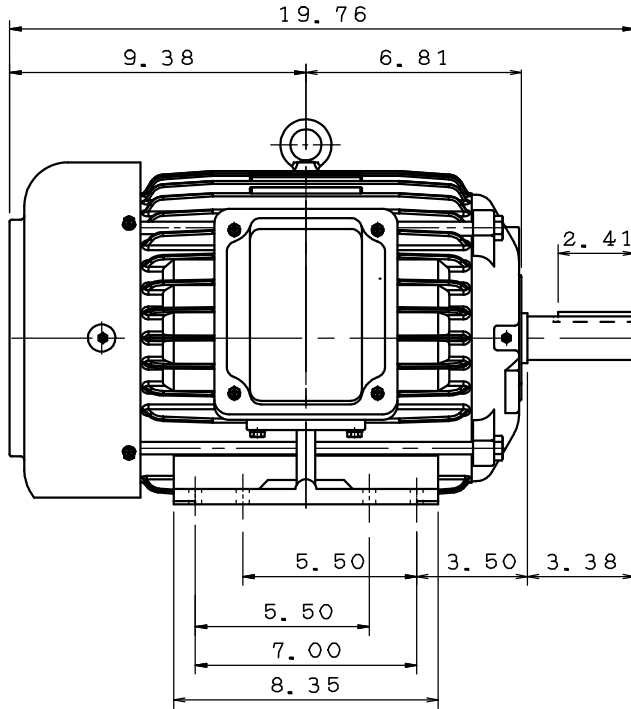


DATE	APRIL 1, 2020	OUTLINE DIMENSIONS	MOTOR TYPE:
CATALOG NO.:	EP0038		3-PHASE INDUCTION MOTOR
			FRAME NO. 215T

Pole	HP	kW	Hz	VOLT	r/min(rpm)
8	3	2.2	60	230/460	900

Ins	Rating	Dimension in	Approx Weight	Bearings
F	CONT.	Inch	190 lbs	DE: 6308ZZ NDE: 6306ZZ

Totally Enclosed Fan-Cooled Type. Squirrel-Cage Rotor.



◇	.	.
---	---	---

DWG.	Mahato	07.25.19	TECO Westinghouse	DWG NO.
CHKD.	M. C. JENG	07.26.19		31049R344080
APPD.	M. C. JENG	07.26.19		

TECO Westinghouse

ISSUED October 31, 2016	PERFORMANCE DATA	ENCLOSURE TEFC
TYPE AEHH8N	3-PHASE INDUCTION MOTOR	CATALOG# EP0038

NAMEPLATE INFORMATION

OUTPUT		POLE	FRAME SIZE	VOLTAGE	HZ	RATED AMBIENT	INS. CLASS	NEMA DESIGN	TIME RATING	SERVICE FACTOR
HP	KW									
3	2.2	8	215T	460	60	40°C	F	C	CONT.	1.15

TYPICAL PERFORMANCE

FULL LOAD RPM	EFFICIENCY				POWER FACTOR			MAXIMUM POWER FACTOR CORRECTION
	FULL LOAD		3/4 LOAD %	1/2 LOAD %	F. L. %	3/4 LOAD %	1/2 LOAD %	
	MIN. %	NOM. %						
865	82.5	85.5	85.5	83.0	66	56	45.0	3 KVAR

CURRENTS

NO LOAD		FULL LOAD		LOCKED ROTOR		NEMA KVA CODE LETTER
AT	AT	AT	AT	AT	AT	
230 VOLT	460 VOLT	230 VOLT	460 VOLT	230 VOLT	460 VOLT	
7.00	3.5	10.00	5	64.00	32	K

TORQUE

INERTIA

ACCEL TIME

FULL LOAD lb-ft	LOCKED ROTOR %FLT	PULL UP %FLT	BREAK DOWN %FLT	ROTOR WR ² lb-ft ²	NEMA LOAD WK ² lb-ft ²	MAX ALLOWABLE WK ² lb-ft ²	NEMA LOAD WK ² Sec	MAX ALLOWABLE WK ² Sec
18.21	240	210	300	0.821	87	303	5.44	18.81

SAFE STALL TIME IN SECONDS

ALLOWABLE STARTS PER HOUR

SOUND PRESSURE LEVEL @ 3 FT dB(A)

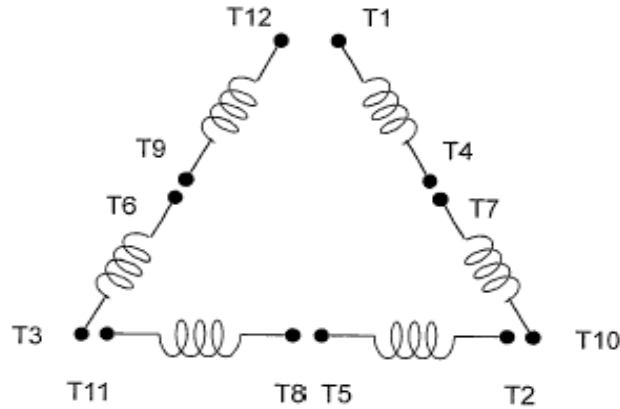
COLD	HOT	COLD	HOT	
46	32	2	1	

APPROVED:	M. PRATER	DRAWING NO.	31057EP0038	REVISION 0
-----------	------------------	-------------	--------------------	-------------------

DATE:
December 2, 2005

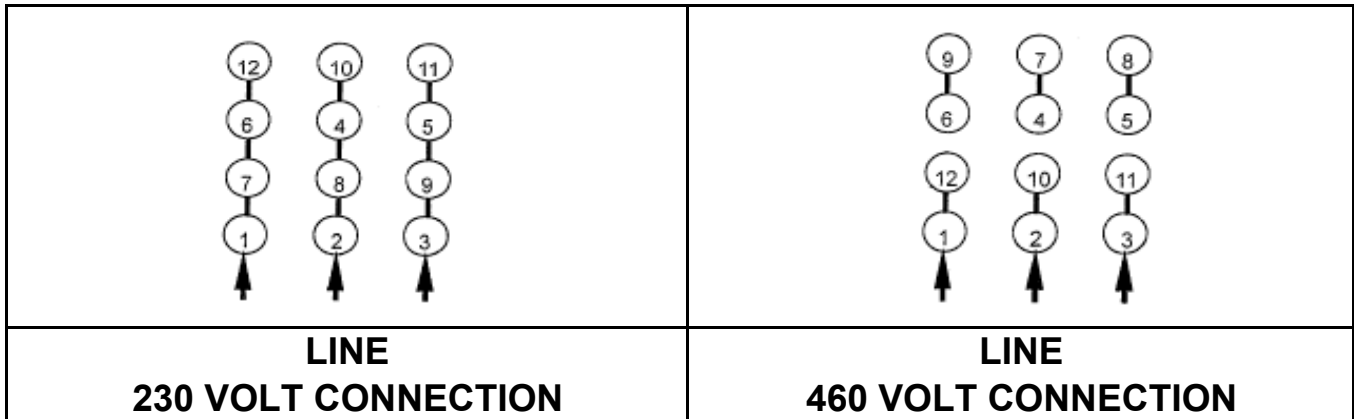
CONNECTION DIAGRAM

CATALOG NO.:
EP0038

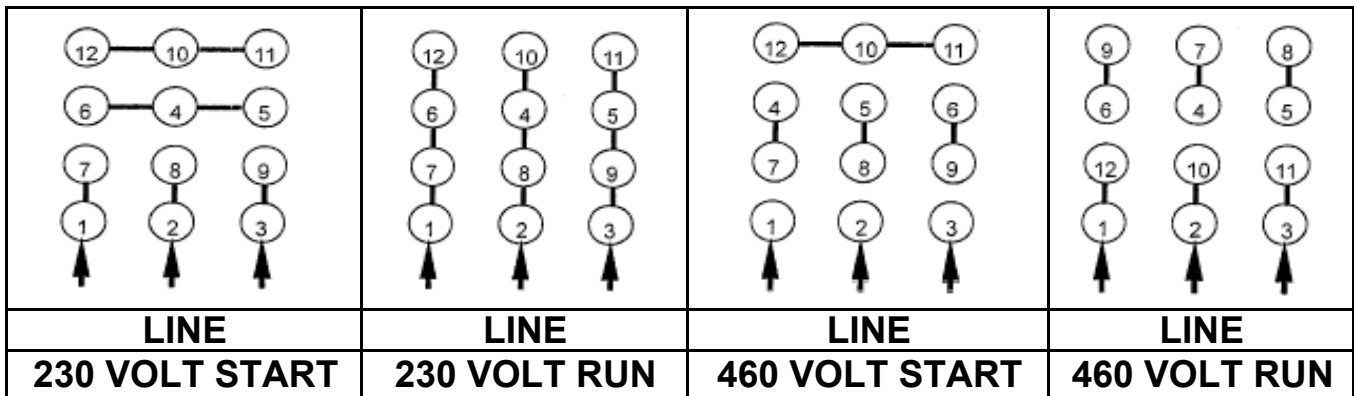


SCHEMATIC - Δ / Y CONNECTION

ACROSS THE LINE CONNECTION



WYE START-DELTA RUN CONNECTION



DWG NO.
DAC-1565-4