

Dimensional Drawing

Catalogue	Type	HP	RPM	Voltage	Hz	Frame Size
EP00385	AEHH8N	3	900	575	60	215T

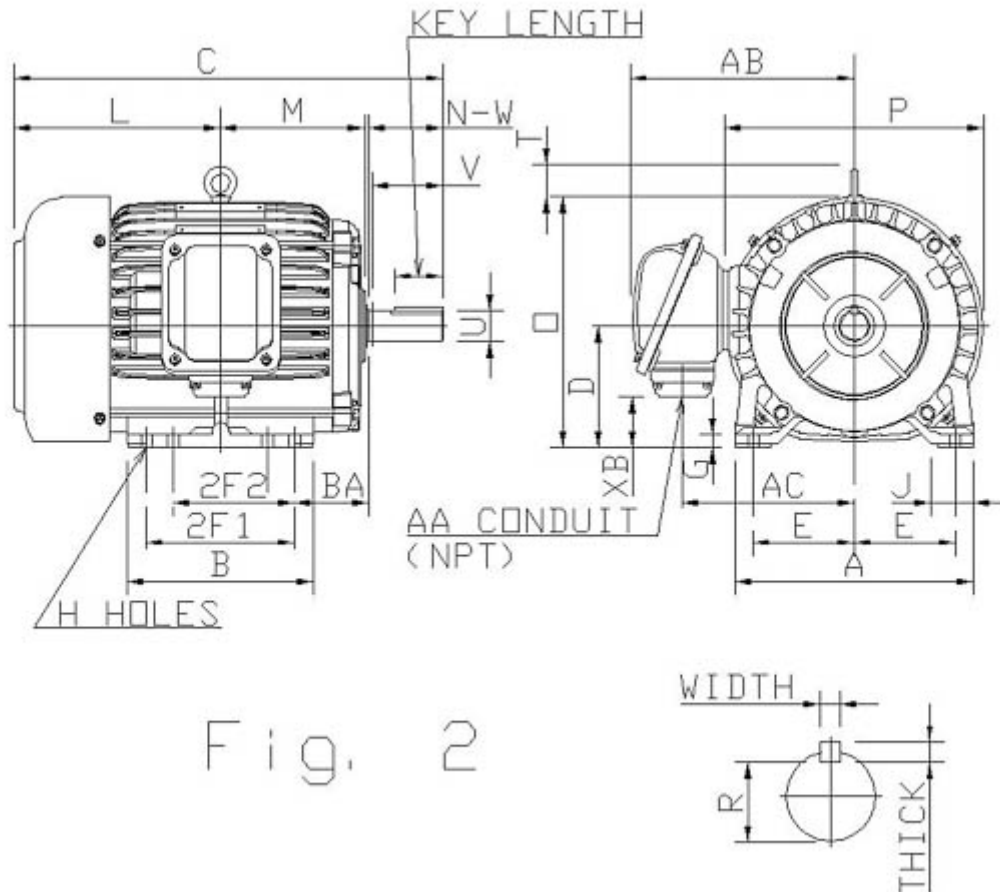


Fig. 2

Mounting					A	B	C	CL1	CL2	D	G
E	2F1	2F2	H	BA							
4.25	7	5.5	0.43	3.5	9.85	8.35	19.76			5.25	0.49

J	K	L	M	O	P	T
1.65		9.38	6.81	10.8	11.1	1.46

Terminal Housing			
AA	AB	AC	XB
1	9.78	7.34	2.34

Shaft Extension			Key			Keyseat
N-W	U	V	Width	Thick	Length	R
3.38	1.375	3.3	0.312	0.312	2.41	1.201

Bearings		Weight Lbs	Drive Method	Dimensions
DE	NDE			
6308ZZ	6306ZZ	190	Direct Coupling / Belt Drive	Inches

Technical Data Sheet

Motor Type: AEHH8N

Catalogue No: EP00385

Nameplate Information

HP	Pole	RPM	Frame	Voltage	Hz	Phase
3	8	865	215T	575	60	3
Enclosure	Ins. Class	Service Factor	Time Rating	NEMA Design	Rated Amb.	Rated Altitude
TEFC	F	1.15	Continuous	C	-40 to 40 °C	<1000 m

Typical Performance

Efficiency (%)				Power Factor (%)		
Full Load		3/4 Load	1/2 Load	Full Load	3/4 Load	1/2 Load
Nom.	Min.					
85.50	82.50	85.50	83.00	66.00	56.00	45.00
Torque				Current (A)		
Full Load (lb-ft)	Locked Rotor (% FLT)	Pull Up (% FLT)	Break Down (% FLT)	No Load	Full Load	Locked Rotor
18.21	240	210	300	2.7	4.0	25.60
NEMA KVA Code	Inertia (WR ²)			Safe Stall Time (s)		Noise Level Sound Press. dB(A)
	Rotor (lb-ft ²)	NEMA Load (lb-ft ²)	Max. Allowable (lb-ft ²)	Cold	Hot	
K	0.821	87.00	803.58	82	57	53.0

VFD Duty Information

Speed Range			VFD		S.F.
Constant Torque	Variable Torque	Constant Power	Carrier	Type	
6-60Hz	3-60Hz	60-120Hz	≤ 5 kHz	VPWM or CPWM	1.0 Only

Hazardous Locations Information

CSA Certified
Class I, Div 2, Groups B, C & D Class I, Zone 2, Groups IIB+H2, IIB & IIA
Temp Code (Sinewave / VFD) T3A / T3A

Additional Certifications

Other Certification

Additional Information

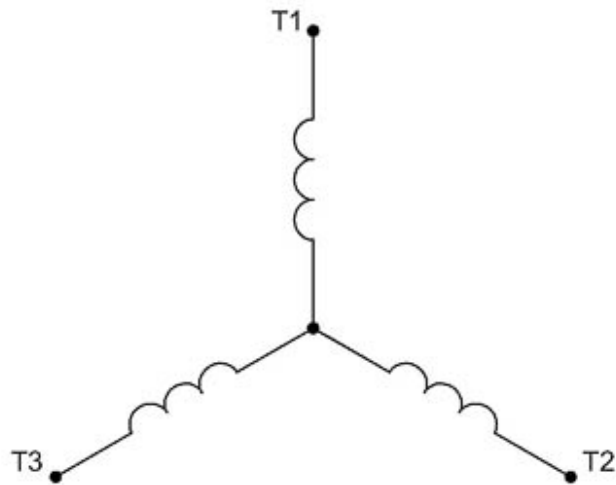
Bearings		Approx. Weight
DE	NDE	lbs
6308ZZ	6306ZZ	190

Nameplate Drawing

Optim TEFC

TYPE	AEHH8N	CAT. NO.	EP00385		
OUTPUT	3 HP 2.24 kW	FRAME	215T	TEFC	
R.P.M.	865	POLE	8	INS.	F
VOLTS	575	PHASE	3	Hz	60
AMPS	4.0	CODE	K	S.F.	1.15
AMBIENT	40 °C	NOM. EFF. 85.50		MIN. EFF. 82.50	
BEARINGS	6308ZZ / 6306ZZ			RATING Cont.	
SER. NO.	TBD	DESIGN	C	WT. 190 LBS	
PWM VFD DUTY	VT	CT	CP	S.F.	
	3-60Hz	6-60Hz	60-120Hz	1.0 Only	

Connection Diagram



3 LEAD		SINGLE VOLTAGE			WYE
VOLTAGE	CONN.	L1	L2	L3	
-	WYE	1	2	3	

WD_3Y