

DATE
Sept. 8, 2005
CAT. #: EPO0545

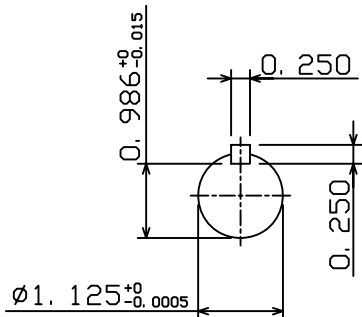
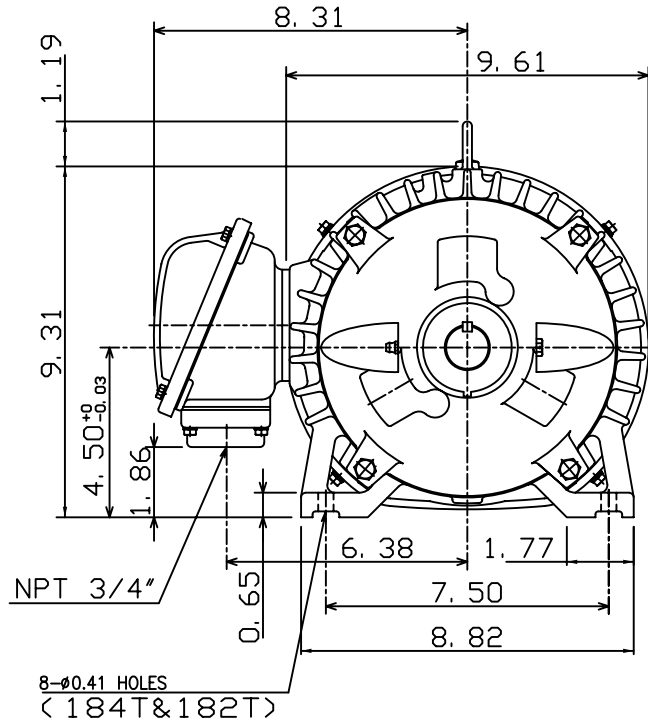
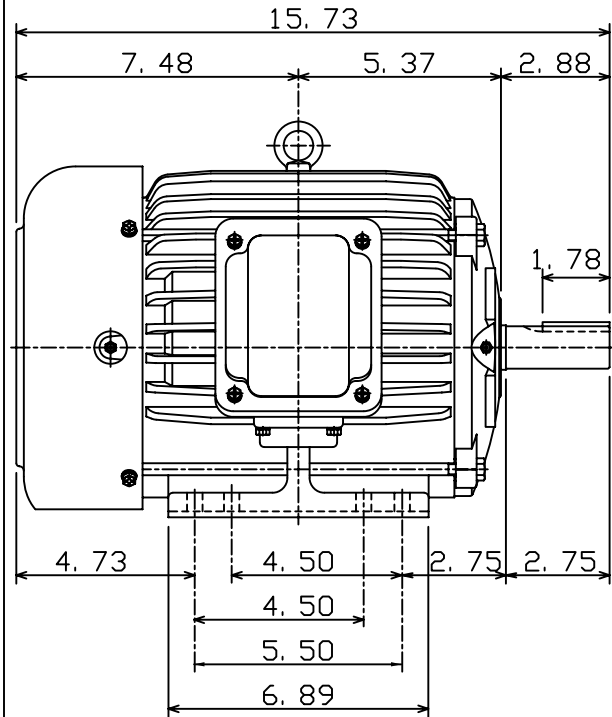
OUTLINE DIMENSIONS
3-PHASE INDUCTION MOTOR

MOTOR TYPE:
AEHH8N
FRAME NO. 184T

| Pole | HP | kW | Hz | VOLT | Syn. Speed r/min(rpm) |
|------|----|-----|----|------|--------------------------|
| 4 | 5 | 3.7 | 60 | 575 | 1800 |

| Ins | Rating | Dimension in | Approx Weight | Bearings |
|-----|--------|--------------|---------------|------------------------|
| F | CONT. | inch | 117 lbs. | DE: 6306ZZ NDE: 6306ZZ |

Totally Enclosed Fan-Cooled Type, Squirrel-Cage Rotor.



| | | |
|-------|------------|----------|
| DWN. | C. S. LO | 12-22-04 |
| CHKD. | C. S. LO | 12-27-04 |
| APPD. | M. C. TSAI | 12-27-04 |

TEC Westinghouse

DWG NO.
31057H354030

TECO Westinghouse

| | | |
|--------------------------------|--------------------------------|----------------------------|
| ISSUED June 28, 2005 | PERFORMANCE DATA | ENCLOSURE TEFC |
| TYPE AEHH8N | 3-PHASE INDUCTION MOTOR | CATALOG# EP00545 |

NAMEPLATE INFORMATION

| OUTPUT | | POLE | FRAME SIZE | VOLTAGE | HZ | RATED AMBIENT | INS. CLASS | NEMA DESIGN | TIME RATING | SERVICE FACTOR |
|----------|------------|----------|-------------|------------|-----------|---------------|------------|-------------|--------------|----------------|
| HP | KW | | | | | | | | | |
| 5 | 3.7 | 4 | 184T | 575 | 60 | 40°C | F | B | CONT. | 1.15 |

TYPICAL PERFORMANCE

| FULL LOAD RPM | EFFICIENCY | | | | POWER FACTOR | | | MAXIMUM POWER FACTOR CORRECTION |
|---------------|-------------|-------------|-------------|-------------|--------------|-------------|-------------|---------------------------------|
| | FULL LOAD | | 3/4 LOAD | 1/2 LOAD | F. L. | 3/4 LOAD | 1/2 LOAD | |
| | MIN. % | NOM. % | | | | | | |
| 1745 | 87.5 | 89.5 | 88.5 | 88.5 | 85.5 | 81.5 | 71.5 | 2 KVAR |

CURRENTS

| NO LOAD | | | FULL LOAD | | | LOCKED ROTOR | | | NEMA KVA CODE LETTER |
|---------|-------------|------|-----------|-------------|------|--------------|--------------|------|----------------------|
| AT | AT | AT | AT | AT | AT | AT | AT | AT | |
| VOLT | 575 VOLT | VOLT | VOLT | 575 VOLT | VOLT | VOLT | 575 VOLT | VOLT | |
| | 1.78 | | | 4.89 | | | 36.80 | | J |

TORQUE

INERTIA

ACCEL TIME

| FULL LOAD lb-ft | LOCKED ROTOR %FLT | PULL UP %FLT | BREAK DOWN %FLT | ROTOR WR ² lb-ft ² | NEMA LOAD WK ² lb-ft ² | MAX ALLOWABLE WK ² lb-ft ² | NEMA LOAD WK ² Sec | MAX ALLOWABLE WK ² Sec |
|-----------------|-------------------|--------------|-----------------|--|--|--|-------------------------------|-----------------------------------|
| 15.04 | 185 | 140 | 285 | 0.422 | 27 | 88 | 4.68 | 15.08 |

SAFE STALL TIME IN SECONDS

ALLOWABLE STARTS PER HOUR

SOUND PRESSURE LEVEL @ 3 FT dB(A)

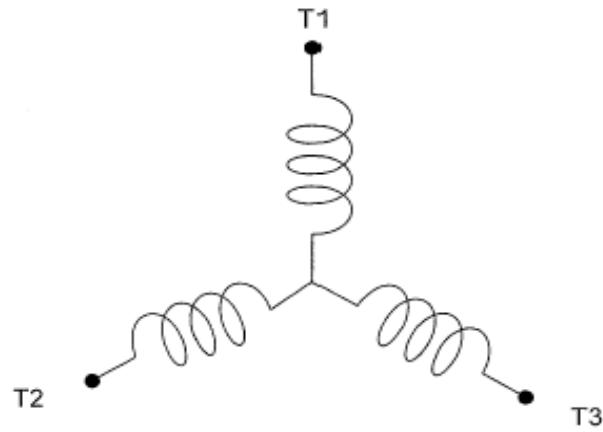
| | | | | |
|-----------|-----------|----------|----------|----|
| COLD | HOT | COLD | HOT | 54 |
| 35 | 25 | 2 | 1 | |

| | | | | |
|-----------|------------------|-------------|---------------------|-------------------|
| APPROVED: | M. PRATER | DRAWING NO. | 31057EP00545 | REVISION 0 |
|-----------|------------------|-------------|---------------------|-------------------|

DATE:
July 7, 2005

CONNECTION DIAGRAM

CATALOG NO.:
EP00545



SCHEMATIC - Y CONNECTION

ACROSS THE LINE CONNECTION



575 VOLT CONNECTION