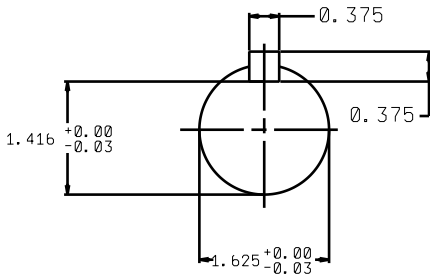
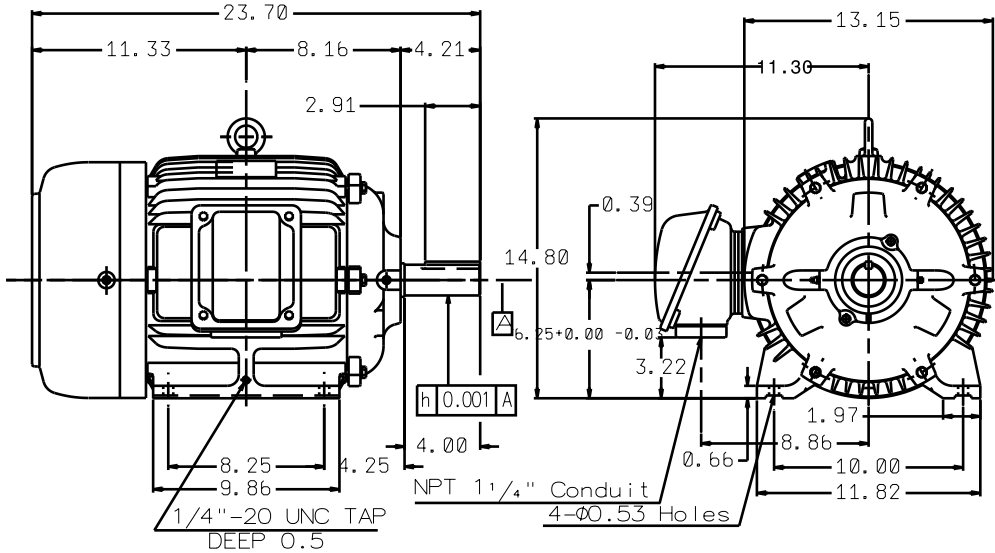


DATE JUNE 14, 2010	OUTLINE DIMENSIONS 3-PHASE INDUCTION MOTOR	MOTOR TYPE: AEHH8N
CATALOG NO. EPO0585		FRAME NO. 254T

Pole	HP	KW	Hz	VOLT	Syn. Speed RPM
8	5	3.73	60	575	900
Ins	Rating	Dimension in	Approx Weight	Bearings	
F	CONT.	inches	288 lbs.	DE:6309ZZ	NDE:6307ZZ

Totally Enclosed Fan-Cooled Type. Squirrel-cage Rotor.



DWN.	ツイエマ・子	12・04・98	TEC  Westinghouse	DWG NO.	31049HB625060
CHKD.	エエキ+P	12・10・98			
APPD.	カマ、へ§B	12・10・98			

# TECO Westinghouse

ISSUED <b>January 8, 2020</b>	<b>PERFORMANCE DATA</b>	ENCLOSURE <b>TEFC</b>
TYPE <b>AEHH8N</b>	<b>3-PHASE INDUCTION MOTOR</b>	CATALOG# <b>EP00585</b>

### NAMEPLATE INFORMATION

OUTPUT		POLE	FRAME SIZE	VOLTAGE	HZ	RATED AMBIENT	INS. CLASS	NEMA DESIGN	TIME RATING	SERVICE FACTOR
HP	KW									
<b>5</b>	<b>3.7</b>	<b>8</b>	<b>254T</b>	<b>575</b>	<b>60</b>	<b>40°C</b>	<b>F</b>	<b>B</b>	<b>CONT.</b>	<b>1.15</b>

### TYPICAL PERFORMANCE

FULL LOAD RPM	EFFICIENCY				POWER FACTOR			MAXIMUM POWER FACTOR CORRECTION
	FULL LOAD		3/4 LOAD	1/2 LOAD	F. L.	3/4 LOAD	1/2 LOAD	
	MIN. %	NOM. %	%	%	%	%	%	
<b>870</b>	<b>85.5</b>	<b>87.5</b>	<b>87.5</b>	<b>85.5</b>	<b>72</b>	<b>64</b>	<b>51</b>	<b>3 KVAR</b>

### CURRENTS

NO LOAD	FULL LOAD	LOCKED ROTOR	NEMA KVA CODE LETTER
NO LOAD	FULL LOAD	LOCKED ROTOR	
AT 575	AT 575	AT 575	
<b>3.68</b>	<b>5.94</b>	<b>36.80</b>	

### TORQUE

### INERTIA

### ACCEL TIME

FULL LOAD lb-ft	LOCKED ROTOR %FLT	PULL UP %FLT	BREAK DOWN %FLT	ROTOR WR <sup>2</sup> lb-ft <sup>2</sup>	NEMA LOAD WK <sup>2</sup> lb-ft <sup>2</sup>	MAX ALLOWABLE WK <sup>2</sup> lb-ft <sup>2</sup>	NEMA LOAD WK <sup>2</sup> Sec	MAX ALLOWABLE WK <sup>2</sup> Sec
<b>30.18</b>	<b>190</b>	<b>180</b>	<b>250</b>	<b>1.66</b>	<b>142</b>	<b>353</b>	<b>6.56</b>	<b>16.19</b>

SAFE STALL TIME IN SECONDS

ALLOWABLE STARTS PER HOUR

SOUND PRESSURE LEVEL @ 3 FT dB(A)

SAFE STALL TIME IN SECONDS		ALLOWABLE STARTS PER HOUR		SOUND PRESSURE LEVEL @ 3 FT dB(A)
COLD	HOT	COLD	HOT	
<b>47</b>	<b>33</b>	<b>2</b>	<b>1</b>	<b>54</b>

APPROVED:	<b>M. PRATER</b>	DRAWING NO.	<b>31057EP00585</b>	REVISION <b>0</b>
-----------	------------------	-------------	---------------------	-------------------

DATE:  
December 2, 2005

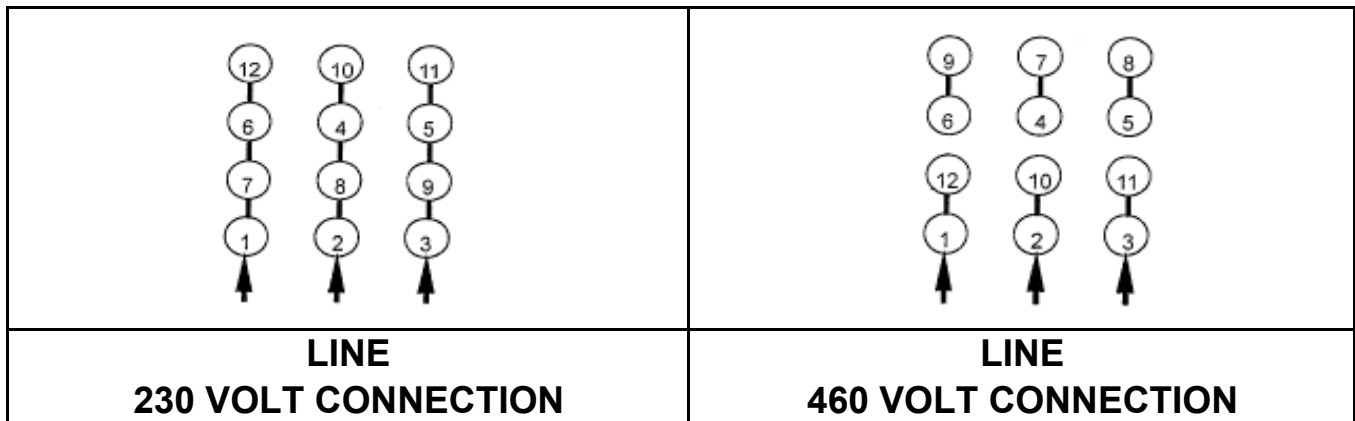
# CONNECTION DIAGRAM

CATALOG NO.:  
EP00585

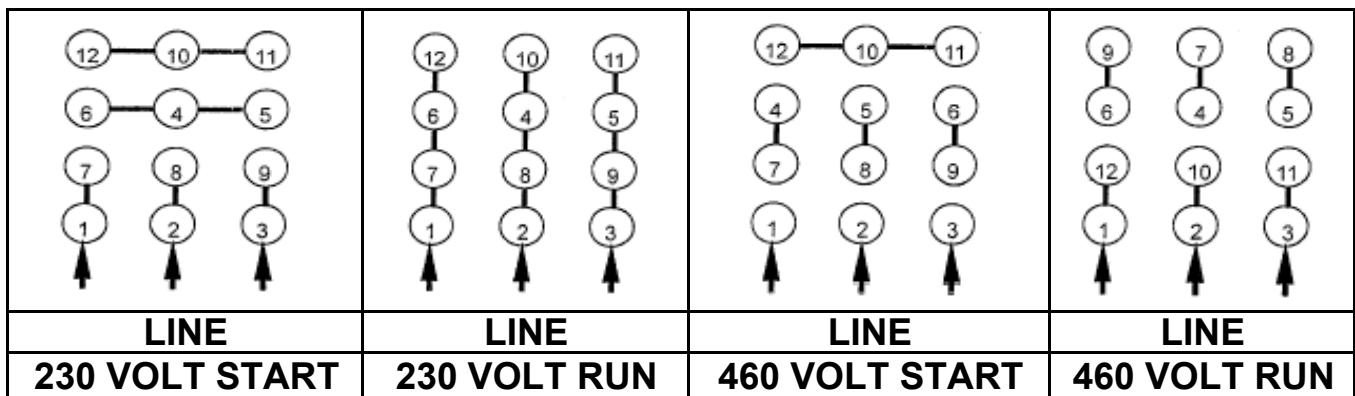


**SCHEMATIC - Δ / Y CONNECTION**

## ACROSS THE LINE CONNECTION



## WYE START-DELTA RUN CONNECTION



DWG NO.  
**DAC-1565-4**