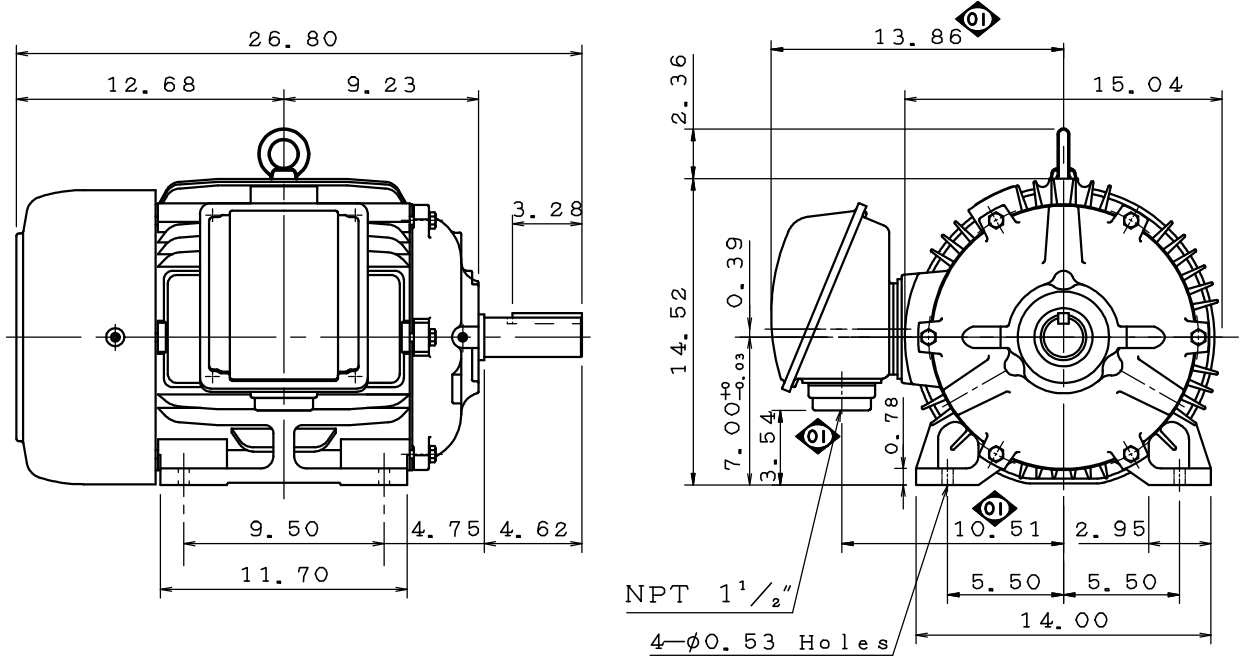


DATE	APRIL 1, 2020	OUTLINE DIMENSIONS	MOTOR TYPE:
CATALOG NO.:	EP0108		3-PHASE INDUCTION MOTOR
			FRAME NO. 284T

Pole	HP	kW	Hz	VOLT	r/min(rpm)
8	10	7.5	60	230/460	900

Ins	Rating	Dimension in	Approx Weight	Bearings
F	CONT.	inch	① 398 lbs	DE:6311ZZ NDE:6310ZZ

Totally Enclosed Fan Cooled Type. Squirrel-cage Rotor.



①	12.12.19	Enlarge T-BOX volume.	J. F. Chen
---	----------	-----------------------	------------

DWG.	H. C. Yang	07.15.19	TECO Westinghouse	DWG NO.
CHKD.	M. C. JENG	07.26.19		31057M091071
APPD.	M. C. JENG	07.26.19		

TECO Westinghouse

ISSUED 10/31/16	PERFORMANCE DATA	ENCLOSURE TEFC
TYPE AEHH8N	3-PHASE INDUCTION MOTOR	CATALOG# EP0108

NAMEPLATE INFORMATION

OUTPUT		POLE	FRAME SIZE	VOLTAGE	HZ	RATED AMBIENT	INS. CLASS	NEMA DESIGN	TIME RATING	SERVICE FACTOR
HP	KW									
10	7.5	8	284T	460	60	40°C	F	B	CONT.	1.15

TYPICAL PERFORMANCE

FULL LOAD RPM	EFFICIENCY				POWER FACTOR			MAXIMUM POWER FACTOR CORRECTION
	FULL LOAD		3/4 LOAD %	1/2 LOAD %	F. L. %	3/4 LOAD %	1/2 LOAD %	
	MIN. %	NOM. %						
885	88.5	90.5	90.2	89.5	73.5	66	53.5	13 KVAR

CURRENTS

NO LOAD		FULL LOAD		LOCKED ROTOR		NEMA KVA CODE LETTER
AT	AT	AT	AT	AT	AT	
230	460	230	460	230	460	
16.42	8.21	28.40	14.1	162.00	81	H

TORQUE

INERTIA

ACCEL TIME

FULL LOAD	LOCKED	PULL	BREAK	ROTOR	NEMA	MAX	NEMA	MAX
59.33	235	210	280	5.421	273	588	5.74	12.23

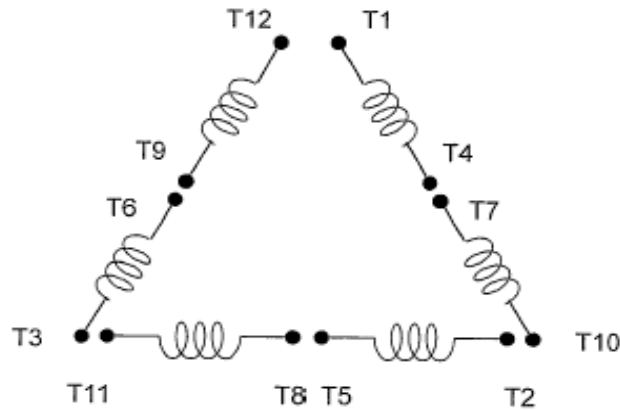
SAFE STALL TIME IN SECONDS		ALLOWABLE STARTS PER HOUR		SOUND PRESSURE LEVEL @ 3 FT dB(A)
COLD	HOT	COLD	HOT	
32	22	2	1	59

APPROVED:	M. PRATER	DRAWING NO.	31057EP0108	REVISION	0
-----------	------------------	-------------	--------------------	----------	----------

DATE:
December 2, 2005

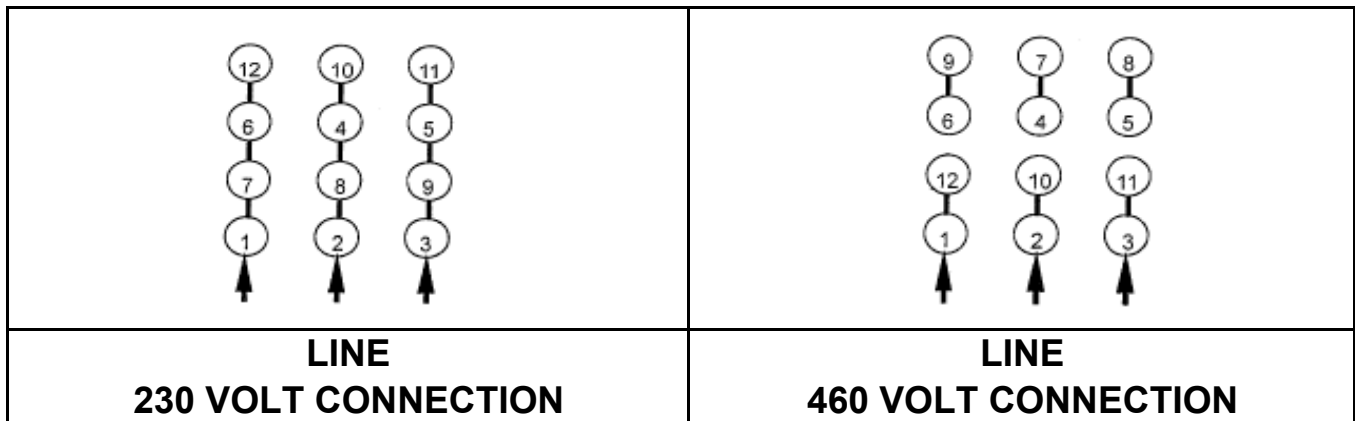
CONNECTION DIAGRAM

CATALOG NO.:
EP0108

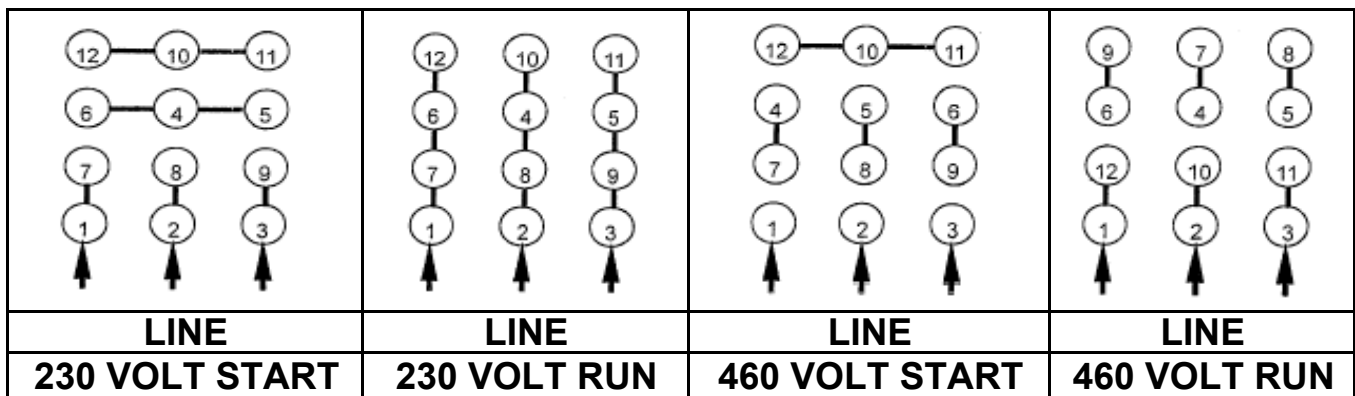


SCHEMATIC - Δ / Y CONNECTION

ACROSS THE LINE CONNECTION



WYE START-DELTA RUN CONNECTION



DWG NO.
DAC-1565-4