

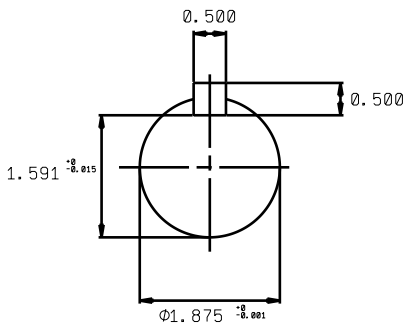
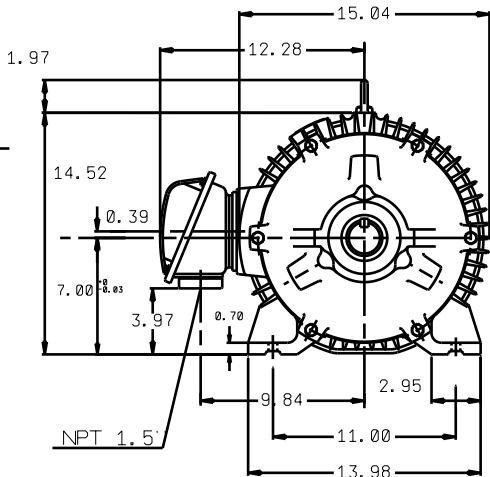
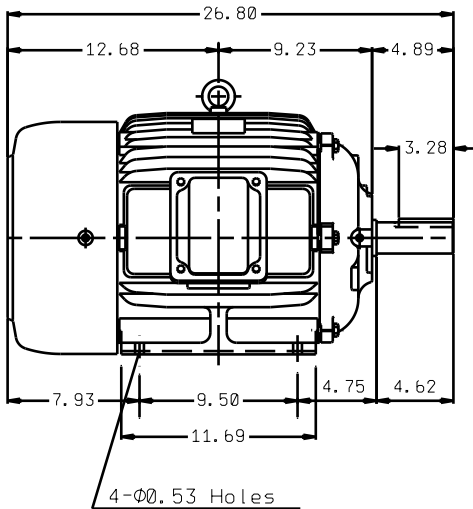
DATE  
APRIL 16, 2016  
CATALOG NO.  
EP0108

OUTLINE DIMENSIONS  
3-PHASE INDUCTION MOTOR

MOTOR TYPE:  
AEHH8N  
FRAME NO. 284T

Pole	HP	KW	Hz	VOLT	Syn. Speed RPM
8	10	7.5	60	575	900
Ins	Rating	Dimension in	Approx Weight	Bearings	
F	CONT.	inches	429 lbs.	DE: 6311ZZ	NDE: 6310ZZ

Totally Enclosed Fan Cooled Type. Squirrel-cage Rotor.



DWN.	J. H. LIANG	11•30•98
CHKD.	C. H. KAO	12•26•98
APPD.	Y. B. HUANG	12•26•98

TEC Westinghouse

DWG NO.  
31057H360002

# TECO Westinghouse

ISSUED <b>07/28/20</b>	<b>PERFORMANCE DATA</b>	ENCLOSURE <b>TEFC</b>
TYPE <b>AEHH8N</b>	<b>3-PHASE INDUCTION MOTOR</b>	CATALOG# <b>EP01085</b>

### NAMEPLATE INFORMATION

OUTPUT		POLE	FRAME SIZE	VOLTAGE	HZ	RATED AMBIENT	INS. CLASS	NEMA DESIGN	TIME RATING	SERVICE FACTOR
HP	KW									
<b>10</b>	<b>7.5</b>	<b>8</b>	<b>284T</b>	<b>575</b>	<b>60</b>	<b>40°C</b>	<b>F</b>	<b>B</b>	<b>CONT.</b>	<b>1.15</b>

### TYPICAL PERFORMANCE

FULL LOAD RPM	EFFICIENCY				POWER FACTOR			MAXIMUM POWER FACTOR CORRECTION
	FULL LOAD		3/4 LOAD %	1/2 LOAD %	F. L. %	3/4 LOAD %	1/2 LOAD %	
	MIN. %	NOM. %						
<b>885</b>	<b>85.5</b>	<b>90.2</b>	<b>90.2</b>	<b>89.5</b>	<b>73.5</b>	<b>66</b>	<b>53.5</b>	<b>#REF! KVAR</b>

### CURRENTS

NO LOAD	FULL LOAD	LOCKED ROTOR	NEMA KVA CODE LETTER
AT	AT	AT	
460	460	460	
<b>6.568</b>	<b>11.28</b>	<b>64.8</b>	<b>J</b>

### TORQUE

### INERTIA

### ACCEL TIME

FULL LOAD	LOCKED	PULL	BREAK	ROTOR	NEMA	MAX	NEMA	MAX
<b>59.33</b>	<b>235</b>	<b>210</b>	<b>280</b>	<b>5.421</b>	<b>273</b>	<b>588</b>	<b>5.74</b>	<b>12.23</b>

SAFE STALL TIME IN SECONDS

ALLOWABLE STARTS PER HOUR

SOUND PRESSURE LEVEL @ 3 FT dB(A)

SAFE STALL TIME IN SECONDS		ALLOWABLE STARTS PER HOUR		SOUND PRESSURE LEVEL @ 3 FT dB(A)
COLD	HOT	COLD	HOT	
<b>32</b>	<b>22</b>	<b>2</b>	<b>1</b>	<b>59</b>

APPROVED:

**M. PRATER**

DRAWING NO.

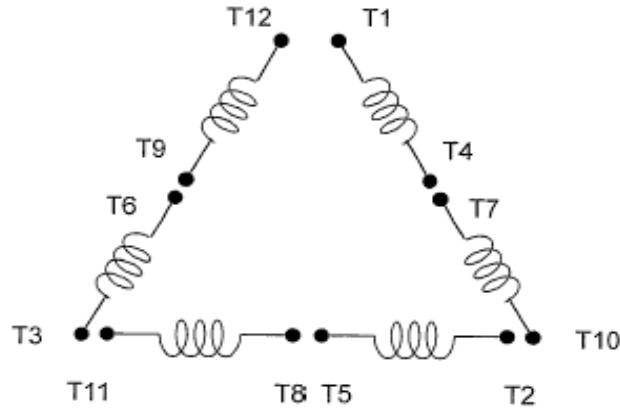
**31057EP01085**

REVISION **0**

DATE:  
December 2, 2005

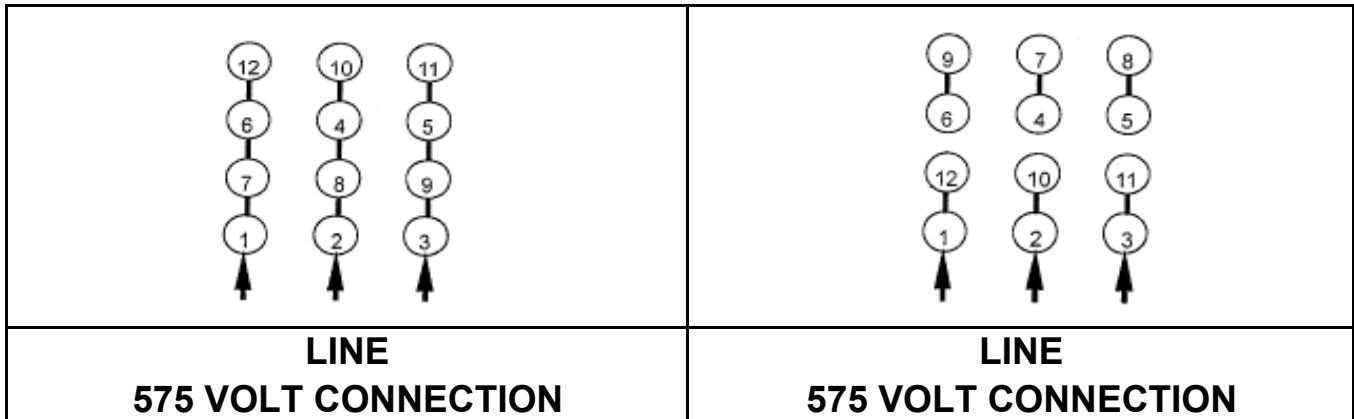
# CONNECTION DIAGRAM

CATALOG NO.:  
EP0108

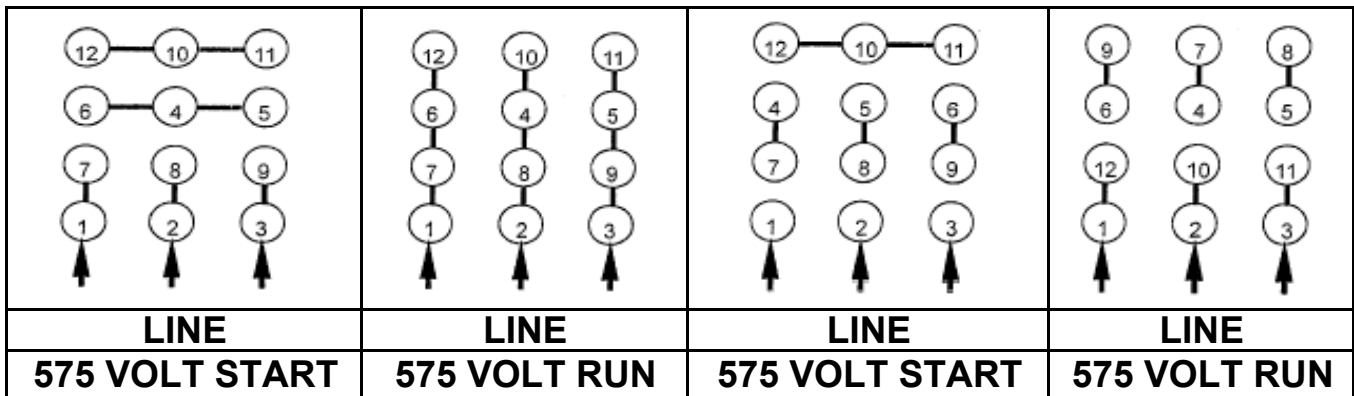


**SCHEMATIC - Δ / Y CONNECTION**

## ACROSS THE LINE CONNECTION



## WYE START-DELTA RUN CONNECTION



DWG NO.  
**DAC-1565-4**