

DATE
Sept. 8, 2005
CAT. #: EPO2065

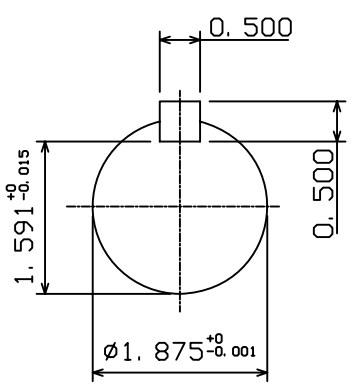
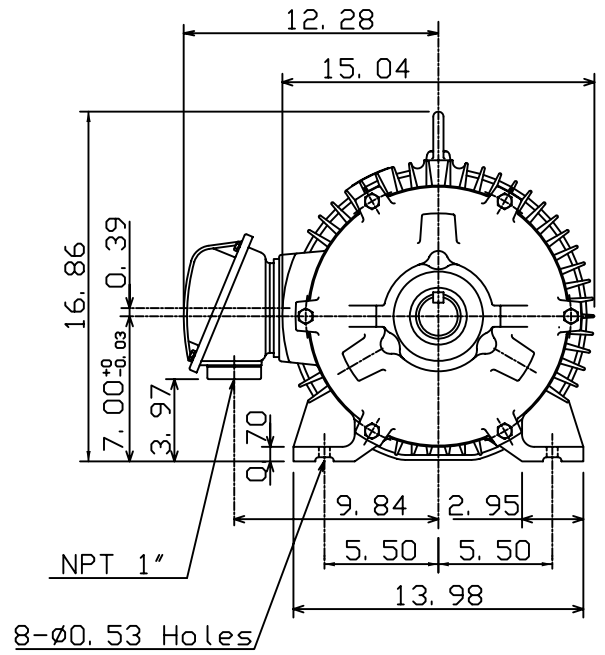
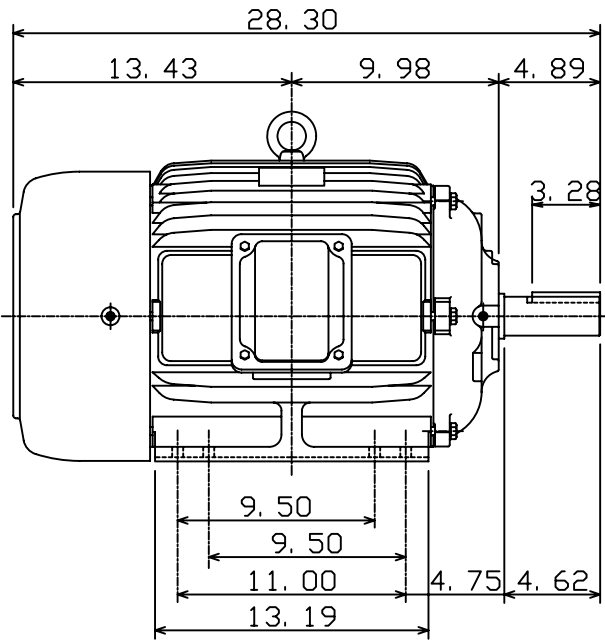
OUTLINE DIMENSIONS
3-PHASE INDUCTION MOTOR

MOTOR TYPE:
AEHH8N
FRAME NO. 286T

Pole	HP	kW	Hz	VOLT	Syn. Speed r/min(rpm)
6	20	15	60	575	1200

Ins	Rating	Dimension in	Approx Weight	Bearings	
F	CONT.	inches	475 lbs.	DE: 6311ZZ	NDE: 6310ZZ

Totally Enclosed Fan Cooled Type. Squirrel-cage Rotor.



DWN.	K. L. KUO	01-10-05
CHKD.	C. H. KAO	01-28-05
APPD.	M. C. TSAI	01-28-05



DWG NO.
31057H362300

TECO Westinghouse

ISSUED <p style="text-align: center; color: red;">June 28, 2005</p>	<p style="color: red; font-size: 1.2em;">PERFORMANCE DATA</p> <p style="font-size: 1.2em;">3-PHASE INDUCTION MOTOR</p>	ENCLOSURE <p style="text-align: center; color: red;">TEFC</p>
TYPE <p style="text-align: center; color: red;">AEHH8N</p>		CATALOG# <p style="text-align: center; color: red;">EP02065</p>

NAMEPLATE INFORMATION

OUTPUT		POLE	FRAME SIZE	VOLTAGE	HZ	RATED AMBIENT	INS. CLASS	NEMA DESIGN	TIME RATING	SERVICE FACTOR
HP	KW									
20	14.9	6	286T	575	60	40°C	F	C	CONT.	1.15

TYPICAL PERFORMANCE

FULL LOAD RPM	EFFICIENCY				POWER FACTOR			MAXIMUM POWER FACTOR CORRECTION
	FULL LOAD		3/4 LOAD %	1/2 LOAD %	F. L. %	3/4 LOAD %	1/2 LOAD %	
	MIN. %	NOM. %						
1170	90.2	91.7	92.4	92.4	84	81	73	6 KVAR

CURRENTS

NO LOAD			FULL LOAD			LOCKED ROTOR			NEMA KVA CODE LETTER
AT	AT	AT	AT	AT	AT	AT	AT	AT	
VOLT	575 VOLT	VOLT	VOLT	575 VOLT	VOLT	VOLT	575 VOLT	VOLT	
	5.98			19.45			116.00		G

TORQUE

INERTIA

ACCEL TIME

FULL LOAD lb-ft	LOCKED ROTOR %FLT	PULL UP %FLT	BREAK DOWN %FLT	ROTOR WR ² lb-ft ²	NEMA LOAD WK ² lb-ft ²	MAX ALLOWABLE WK ² lb-ft ²	NEMA LOAD WK ² Sec	MAX ALLOWABLE WK ² Sec
89.75	210	160	225	8.34	262	610	5.75	13.14

SAFE STALL TIME IN SECONDS

ALLOWABLE STARTS PER HOUR

SOUND PRESSURE LEVEL @ 3 FT dB(A)

COLD	HOT	COLD	HOT	66
35	25	2	1	

APPROVED:	M. PRATER	DRAWING NO.	31057EP02065	REVISION 0
-----------	------------------	-------------	---------------------	-------------------

DATE:
July 7, 2005

CONNECTION DIAGRAM

CATALOG NO.:
EP02065



SCHEMATIC - Δ / Y CONNECTION

ACROSS THE LINE CONNECTION



575 VOLT CONNECTION

WYE START-DELTA RUN CONNECTION



**LINE
575 VOLT START**



**LINE
575 VOLT RUN**