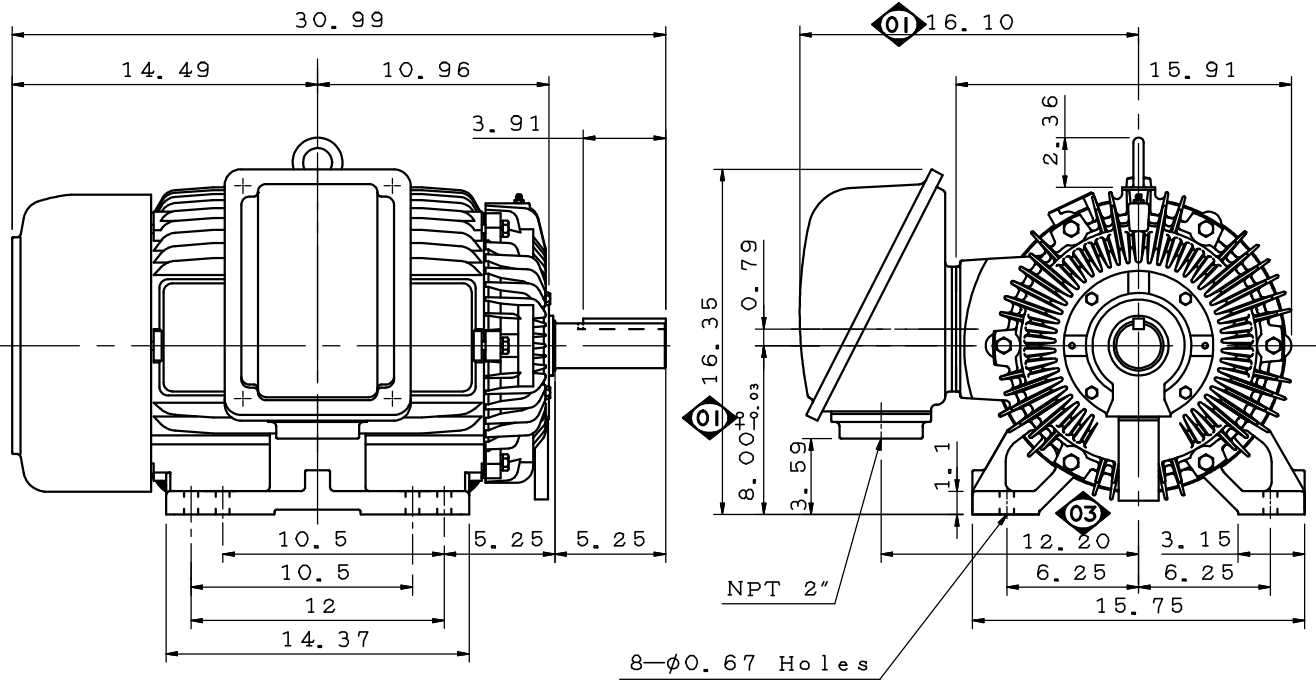


DATE	APRIL 1, 2020	OUTLINE DIMENSIONS	MOTOR TYPE:
CATALOG NO.:	EP0258		3-PHASE INDUCTION MOTOR
			FRAME NO. 326T(X)

Pole	HP	kW	Hz	VOLT	r/min(rpm)
8	25	18.5	60	230/460	900

Ins	Rating	Dimension in	Approx Weight	Bearings
F	CONT.	inch	① 579 lbs	DE: 6312 NDE: 6310

Totally Enclosed Fan-Cooled Type. Squirrel-cage Rotor.



①	12.16.19	Enlarge T-BOX volume.	C. T. CHEN
---	----------	-----------------------	------------

DWG.	J. F. Chen	07.15.19	TECO Westinghouse	DWG NO.
CHKD.	M. C. JENG	07.26.19		31057M097081
APPD.	M. C. JENG	07.26.19		

TECO Westinghouse

ISSUED 07/25/19	PERFORMANCE DATA 3-PHASE INDUCTION MOTOR	ENCLOSURE TEFC
TYPE AEHH8N		CATALOG# EP0258

NAMEPLATE INFORMATION

OUTPUT		POLE	FRAME SIZE	VOLTAGE	HZ	RATED AMBIEN	INS. CLASS	NEMA DESIGN	TIME RATING	SERVICE FACTOR
HP	KW									
25	19	8	326T(X)	460	60	40°C	F	B	CONT.	1.15

TYPICAL PERFORMANCE

FULL LOAD RPM	EFFICIENCY				POWER FACTOR			MAXIMUM POWER FACTOR CORRECTION
	FULL LOAD		3/4 LOAD %	1/2 LOAD	F. L. %	3/4 LOAD	1/2 LOAD	
	NOM. %	MIN. %						
875	91.0	89.5	91.7	91.7	80.0	75.0	65.0	4.14 KVAR

CURRENTS			NEMA KVA CODE LETTER
NO LOAD	FULL LOAD	LOCKED ROTOR	
13.8	32.2	183	G

TORQUE				INERTIA			ACCEL TIME	
FULL LOAD lb-ft	LOCKED ROTOR %FLT	PULL UP %FLT	BREAK DOWN %FLT	ROTOR WR ² lb-ft ²	NEMA LOAD WK ² lb-ft ²	MAX ALLOWABLE WK ² lb-ft ²	NEMA LOAD WK ² Sec	MAX ALLOWABLE WK ² Sec
150.00	210	170	230	9.856	647	1759	6.17	17

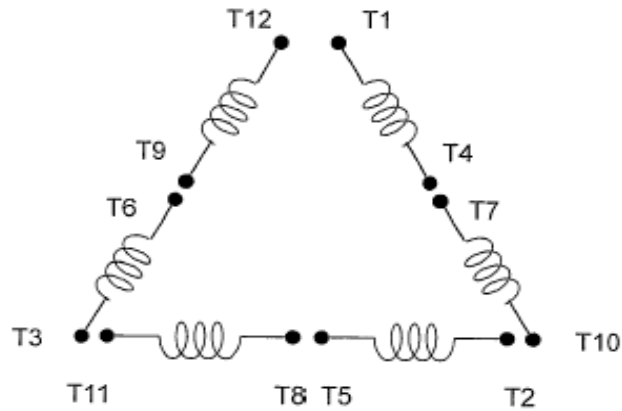
SAFE STALL TIME IN SECONDS		ALLOWABLE STARTS PER HOUR		SOUND PRESSURE LEVEL @ 3 FT dB(A)
COLD	HOT	COLD	HOT	
29	20	2	1	

APPROVED:	D. Lu	DRAWING NO.	31057EP0258	REVISION 0
-----------	--------------	-------------	--------------------	-------------------

DATE:
December 2, 2005

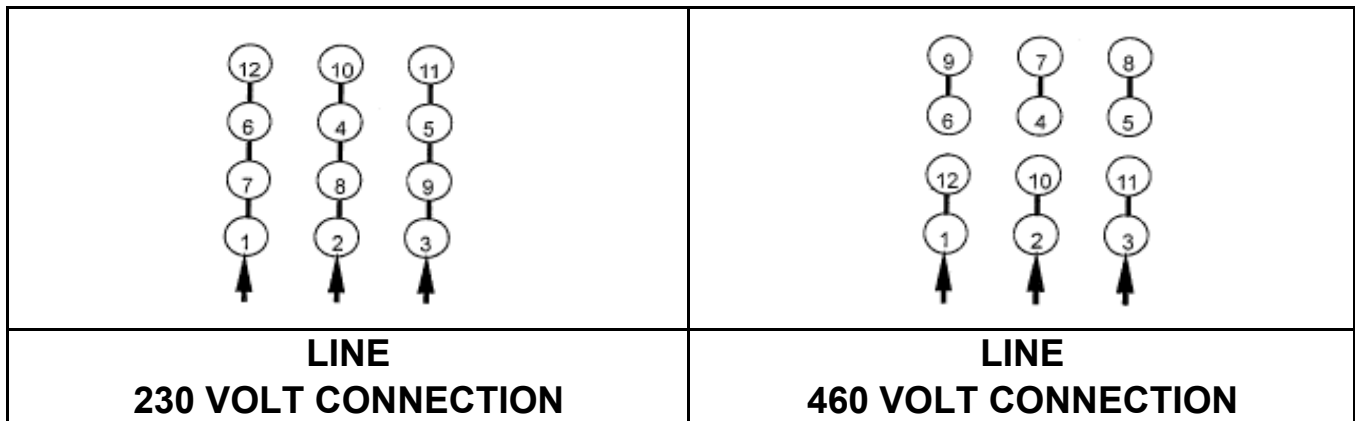
CONNECTION DIAGRAM

CATALOG NO.:
EP0258



SCHEMATIC - Δ / Y CONNECTION

ACROSS THE LINE CONNECTION



WYE START-DELTA RUN CONNECTION



DWG NO.
DAC-1565-4