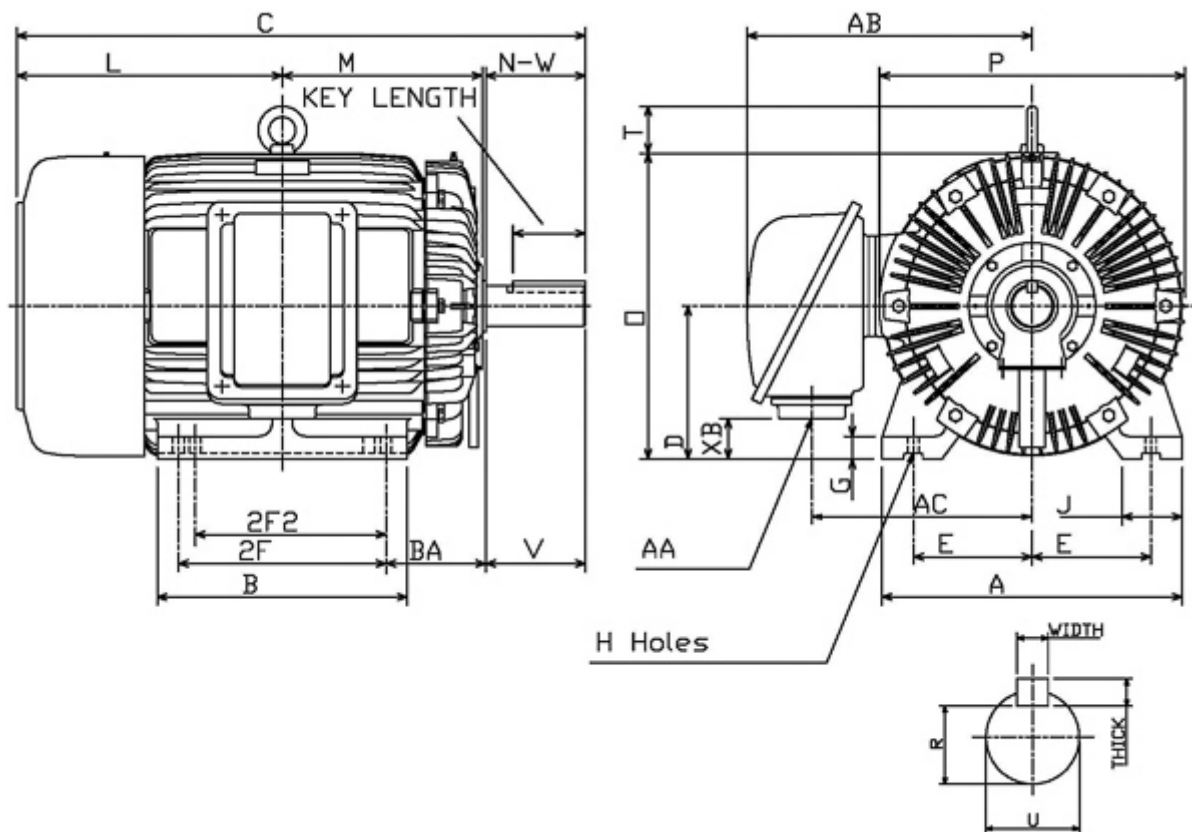



Dimensional Drawing

Catalogue	Model	HP	Pole	kW	Rating	Voltage	Hz	RPM
PDH02585	AEHH8N	25	8	19	Continuous	575	60	900



Frame Size	Mounting					A	B	C	CD	D	
	E	2F	2F2	H	BA						
326T	6.25	12	10.5	0.66	5.25	15.75	14.35	31.42		8	
G	J	K	L	M	O	P	T	Key			Keyseat
1.1	3.15		14.92	11.04	16.27	16.54	2.32	Width	Thick	Length	R
								0.5	0.5	3.91	1.845
Terminal Housing				Aux Box		C/D Flange					
AA	AB	AC	XB	AE	AX	BB	AH	AK	BD	AJ	BF
2 NPT	14.65	11.3	3.59								
Shaft Extension			Bearings		Approx. Weight Lbs	SPL dBA/3ft	Ins. Class	S.F.	Drive Method	Dimensions	
N-W	U	V	DE	NDE							
5.25	2.125	5.15	6312	6212	700	70	F	1.15	Direct Coupling / Belt Drive	Inches	

	
	Date: September 10, 2019

Technical Data Sheet

Motor Type: AEHH8N	Catalogue No: PDH02585
--------------------	------------------------

Nameplate Information

HP	Pole	RPM	Frame	Voltage	Hz	Phase
25	8	875	326T	575	60	3
Enclosure	Ins. Class	Service Factor	Time Rating	NEMA Design	Rated Amb.	Rated Altitude
TEFC	F	1.15	Continuous	B	-40 to 40°C °C	<3300 ft

Typical Performance

Efficiency (%)				Power Factor (%)		
Full Load		3/4 Load	1/2 Load	Full Load	3/4 Load	1/2 Load
Nom.	Min.					
90.2	88.5	91	91	79.5	76	66.5
Torque				Current (A)		
Full Load (lb-ft)	Locked Rotor (% FLT)	Pull Up (% FLT)	Break Down (% FLT)	No Load	Full Load	Locked Rotor
150	200	175	220	10.5	26.1	146
NEMA KVA Code	Inertia (WR ²)			Safe Stall Time (s)		Noise Level Sound Press. dB(A)
	Rotor (lb-ft ²)	NEMA Load (lb-ft ²)	Max. Allowable (lb-ft ²)	Cold	Hot	
G	12.373	647	1153	28	20	70

VFD Duty Information

Speed Range			VFD		S.F.
Constant Torque	Variable Torque	Constant Power	Carrier	Type	
6-60Hz	3-60Hz	#N/A	≤ 5 kHz	VPWM or CPWM	1.0 Only

Hazardous Locations Information

CSA Certified
Class I, Div 2, Groups B, C & D Class I, Zone 2, Groups IIB+H2, IIB & IIA
Temp Code (Sinewave / VFD) T3A / T3A

Additional Certifications

Other Certification
0

Additional Information

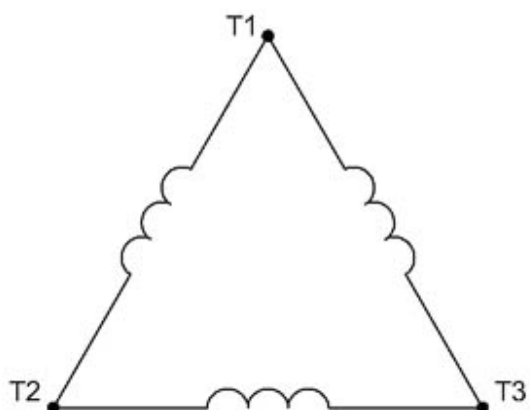
Bearings		Approx. Weight
DE	NDE	lbs
6312	6212	700

Nameplate Drawing

Optim TEFC

TYPE	AEHH8N	CAT. NO.	PDH02585		
OUTPUT	25 HP 19 kW	FRAME	326T	TEFC	
R.P.M.	875	POLE	8	INS.	F
VOLTS	575	PHASE	3	Hz	60
AMPS	26.1	CODE	G	S.F.	1.15
AMBIENT	40 °C	NOM. EFF. 90.2		MIN. EFF. 88.5	
BEARINGS	6312 / 6212			RATING Cont.	
SER. NO.	TBD	DESIGN	B	WT. 700 LBS	
PWM VFD DUTY	VT	CT	CP	S.F.	
	3-60Hz	6-60Hz	#N/A	1.0 Only	

Connection Diagram



3 LEAD		SINGLE VOLTAGE			DELTA
VOLTAGE	CONN.	L1	L2	L3	
-	DELTA	1	2	3	

WD_3D