

DATE  
Sept. 8, 2005  
CAT. #: EPO3025

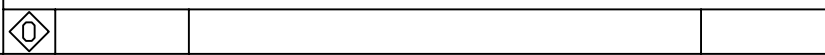
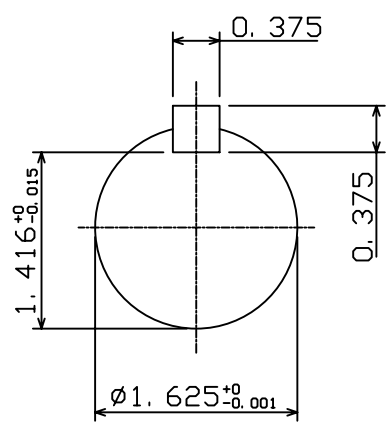
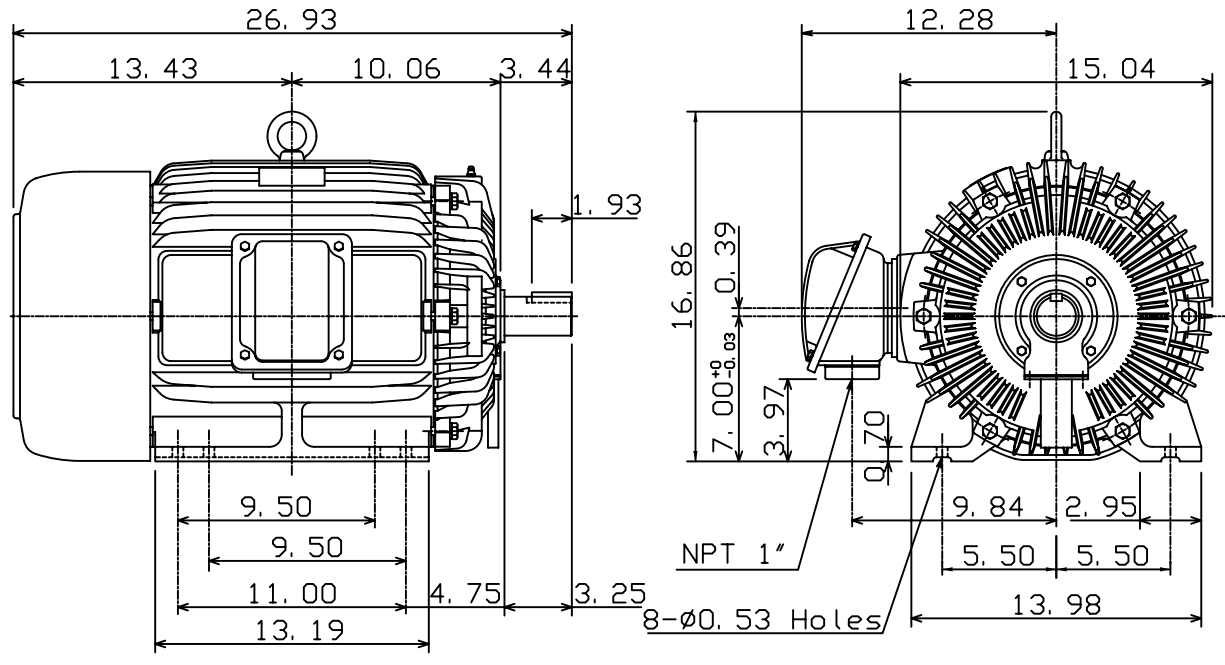
OUTLINE DIMENSIONS  
3-PHASE INDUCTION MOTOR

MOTOR TYPE:  
AEHH8N  
FRAME NO. 286TS

Pole	HP	kW	Hz	VOLT	Syn. Speed r/min(rpm)
2	30	22.4	60	575	3600

Ins	Rating	Dimension in	Approx Weight	Bearings	
F	CONT.	inches	465 lbs.	DE: 6211C3	NDE: 6211C3

Totally Enclosed Fan Cooled Type. Squirrel-cage Rotor.



DWN.	K. L. KUO	01-10-05
CHKD.	C. H. KAO	01-28-05
APPD.	M. C. TSAI	01-28-05



DWG NO.  
31057H361160

# TECO Westinghouse

ISSUED <p style="text-align: center; color: red;"><b>June 28, 2005</b></p>	<p style="color: red; font-size: 1.2em;"><b>PERFORMANCE DATA</b></p> <p style="font-size: 1.2em;"><b>3-PHASE INDUCTION MOTOR</b></p>	ENCLOSURE <p style="text-align: center; color: red;"><b>TEFC</b></p>
TYPE <p style="text-align: center; color: red;"><b>AEHH8N</b></p>		CATALOG# <p style="text-align: center; color: red;"><b>EP03025</b></p>

### NAMEPLATE INFORMATION

OUTPUT		POLE	FRAME SIZE	VOLTAGE	HZ	RATED AMBIENT	INS. CLASS	NEMA DESIGN	TIME RATING	SERVICE FACTOR
HP	KW									
<b>30</b>	<b>22.4</b>	<b>2</b>	<b>286TS</b>	<b>575</b>	<b>60</b>	<b>40°C</b>	<b>F</b>	<b>B</b>	<b>CONT.</b>	<b>1.15</b>

### TYPICAL PERFORMANCE

FULL LOAD RPM	EFFICIENCY				POWER FACTOR			MAXIMUM POWER FACTOR CORRECTION
	FULL LOAD		3/4 LOAD	1/2 LOAD	F. L.	3/4 LOAD	1/2 LOAD	
	MIN. %	NOM. %						
<b>3545</b>	<b>91.7</b>	<b>93</b>	<b>93.6</b>	<b>93</b>	<b>91</b>	<b>90.5</b>	<b>87.5</b>	<b>5 KVAR</b>

### CURRENTS

NO LOAD			FULL LOAD			LOCKED ROTOR			NEMA KVA CODE LETTER
AT	AT	AT	AT	AT	AT	AT	AT	AT	
VOLT	575 VOLT	VOLT	VOLT	575 VOLT	VOLT	VOLT	575 VOLT	VOLT	
	<b>4.83</b>			<b>26.55</b>			<b>174.40</b>		<b>G</b>

### TORQUE

### INERTIA

### ACCEL TIME

FULL LOAD lb-ft	LOCKED ROTOR %FLT	PULL UP %FLT	BREAK DOWN %FLT	ROTOR WR <sup>2</sup> lb-ft <sup>2</sup>	NEMA LOAD WK <sup>2</sup> lb-ft <sup>2</sup>	MAX ALLOWABLE WK <sup>2</sup> lb-ft <sup>2</sup>	NEMA LOAD WK <sup>2</sup> Sec	MAX ALLOWABLE WK <sup>2</sup> Sec
<b>44.43</b>	<b>175</b>	<b>140</b>	<b>240</b>	<b>2.831</b>	<b>30</b>	<b>73</b>	<b>4.36</b>	<b>10.07</b>

SAFE STALL TIME IN SECONDS

ALLOWABLE STARTS PER HOUR

SOUND PRESSURE LEVEL @ 3 FT dB(A)

COLD		HOT		
<b>24</b>	<b>17</b>	<b>2</b>	<b>1</b>	

APPROVED:	<b>M. PRATER</b>	DRAWING NO.	<b>31057EP03025</b>	REVISION	<b>0</b>
-----------	------------------	-------------	---------------------	----------	----------

DATE:  
July 7, 2005

# CONNECTION DIAGRAM

CATALOG NO.:  
EP03025



**SCHEMATIC - Δ / Y CONNECTION**

## ACROSS THE LINE CONNECTION



**575 VOLT CONNECTION**

## WYE START-DELTA RUN CONNECTION



**LINE  
575 VOLT START**



**LINE  
575 VOLT RUN**