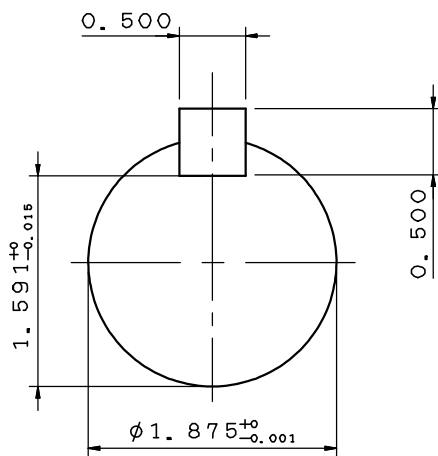
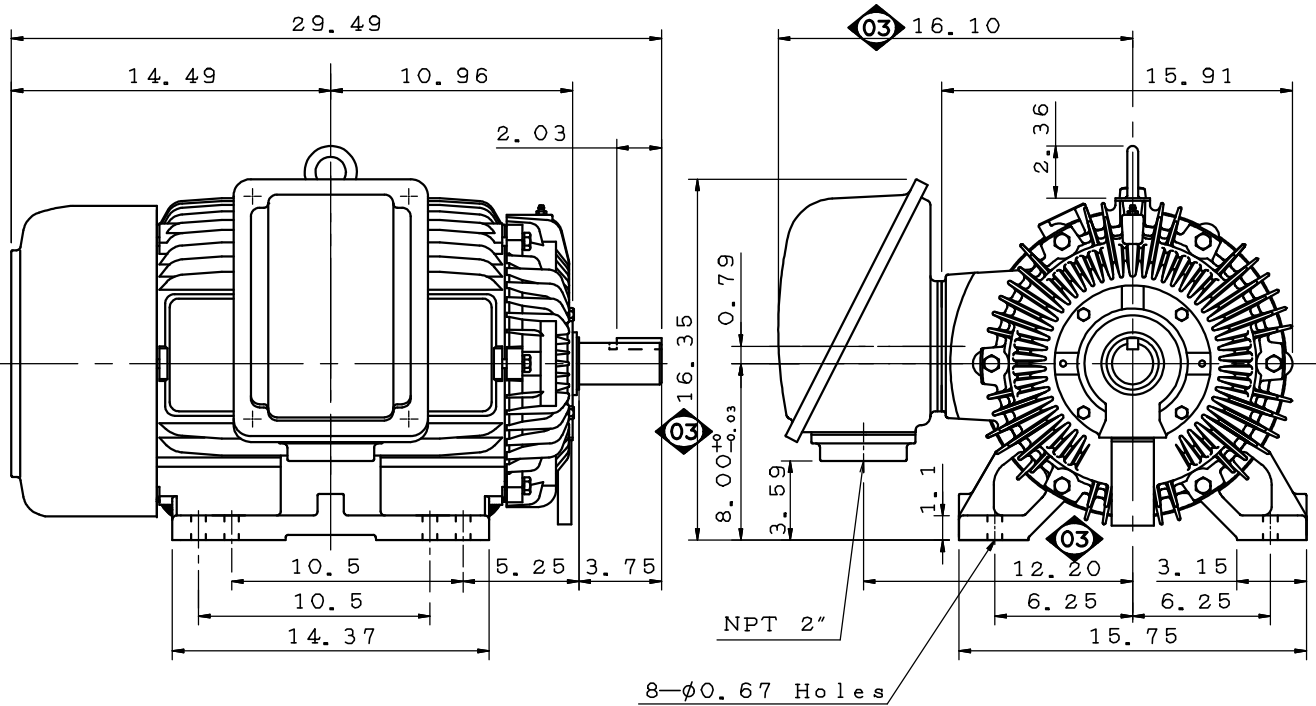


DATE	APRIL 1, 2020	OUTLINE DIMENSIONS	MOTOR TYPE:
CATALOG NO.:	EP0402		3-PHASE INDUCTION MOTOR
			FRAME NO. 324TS(X)

Pole	HP	kW	Hz	VOLT	r/min(rpm)
2	40	30	60	230/460	3600

Ins	Rating	Dimension in	Approx Weight	Bearings
F	CONT.	inch	③ 576 lbs	DE: 6312C3 NDE: 6310C3

Totally Enclosed Fan-Cooled Type. Squirrel-cage Rotor.



③ 12.16.19 Enlarge T-BOX volume. C. T. CHEN

DWG.	J. F. Chen	06.27.19	TECO Westinghouse	DWG NO.
CHKD.	M. C. JENG	06.28.19		31057M094033
APPD.	M. C. JENG	06.28.19		

TECO Westinghouse

ISSUED 07/23/19	PERFORMANCE DATA 3-PHASE INDUCTION MOTOR	ENCLOSURE TEFC
TYPE AEHH8N		CATALOG# EP0402

NAMEPLATE INFORMATION

OUTPUT		POLE	FRAME SIZE	VOLTAGE	HZ	RATED AMBIEN	INS. CLASS	NEMA DESIGN	TIME RATING	SERVICE FACTOR
HP	KW									
40	30	2	324TS(X)	460	60	40°C	F	B	CONT.	1.15

TYPICAL PERFORMANCE

FULL LOAD RPM	EFFICIENCY				POWER FACTOR			MAXIMUM POWER FACTOR CORRECTION
	FULL LOAD		3/4 LOAD %	1/2 LOAD	F. L. %	3/4 LOAD	1/2 LOAD	
	NOM. %	MIN. %						
3535	92.4	91.0	93.0	92.7	92.0	91.0	88.0	4.22 KVAR

CURRENTS			NEMA KVA CODE LETTER
NO LOAD	FULL LOAD	LOCKED ROTOR	
9.2	44.1	290	G

TORQUE				INERTIA			ACCEL TIME	
FULL LOAD lb-ft	LOCKED ROTOR %FLT	PULL UP %FLT	BREAK DOWN %FLT	ROTOR WR ² lb-ft ²	NEMA LOAD WK ² lb-ft ²	MAX ALLOWABLE WK ² lb-ft ²	NEMA LOAD WK ² Sec	MAX ALLOWABLE WK ² Sec
59.41	220	180	240	2.784	40	99	3.92	9

SAFE STALL TIME IN SECONDS		ALLOWABLE STARTS PER HOUR		SOUND PRESSURE LEVEL @ 3 FT dB(A)
COLD	HOT	COLD	HOT	
17	12	2	1	

APPROVED:	D. Lu	DRAWING NO.	31057EP0402	REVISION	0
-----------	--------------	-------------	--------------------	----------	----------

DATE:
February 7, 2007

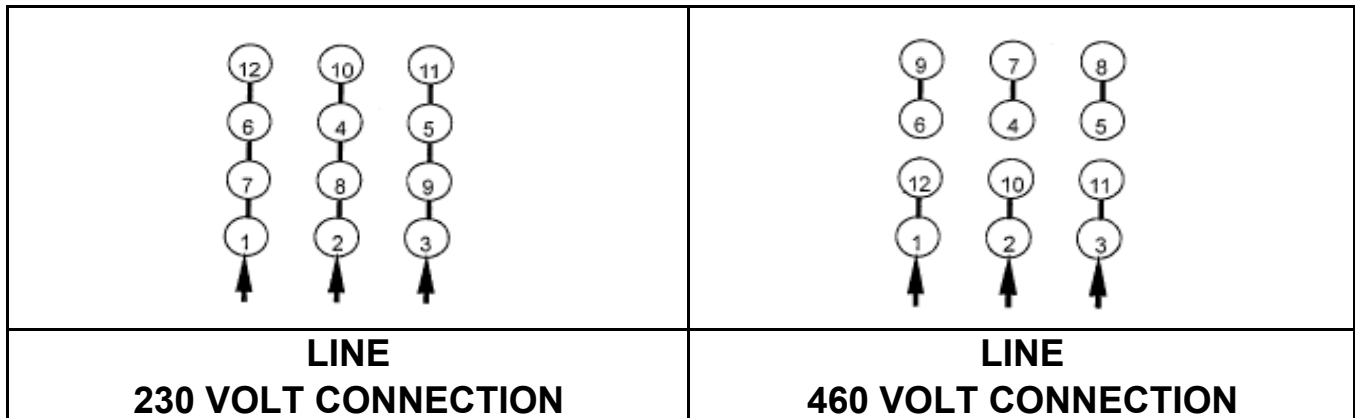
CONNECTION DIAGRAM

EP0402



SCHEMATIC - Δ / Y CONNECTION

ACROSS THE LINE CONNECTION



WYE START-DELTA RUN CONNECTION

