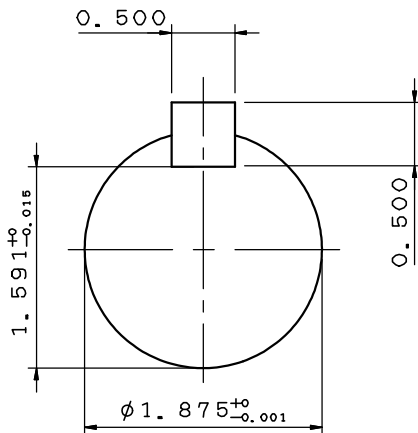
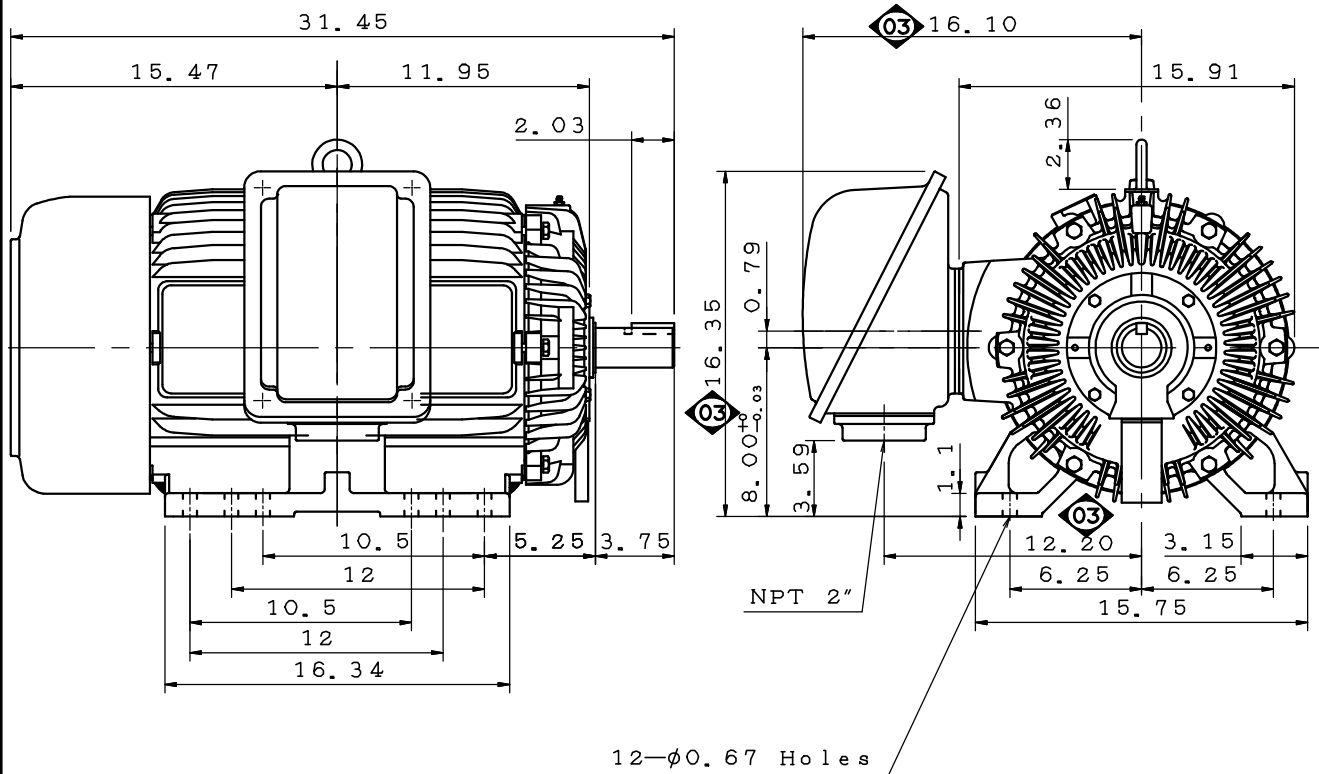


DATE	APRIL 1, 2020	OUTLINE DIMENSIONS	MOTOR TYPE:
CATALOG NO.:	EP0502		3-PHASE INDUCTION MOTOR
			FRAME NO. 326TS(X)

Pole	HP	kW	Hz	VOLT	r/min(rpm)
2	50	37	60	230/460	3600

Ins	Rating	Dimension in	Approx Weight	Bearings
F	CONT.	inch	③ 648 lbs	DE: 6312C3 NDE: 6310C3

Totally Enclosed Fan-Cooled Type. Squirrel-cage Rotor.



③ 12.16.19 Enlarge T-BOX volume. C. T. CHEN

DWG.	J. F. Chen	06.27.19	TECO Westinghouse	DWG NO.
CHKD.	M. C. JENG	06.28.19		31057M096033
APPD.	M. C. JENG	06.28.19		

TECO Westinghouse

ISSUED 07/23/19	PERFORMANCE DATA	ENCLOSURE TEFC
TYPE AEHH8N	3-PHASE INDUCTION MOTOR	CATALOG# EP0502

NAMEPLATE INFORMATION

OUTPUT		POLE	FRAME SIZE	VOLTAGE	HZ	RATED AMBIEN	INS. CLASS	NEMA DESIGN	TIME RATING	SERVICE FACTOR
HP	KW									
50	37	2	326TS(X)	460	60	40°C	F	B	CONT.	1.15

TYPICAL PERFORMANCE

FULL LOAD RPM	EFFICIENCY				POWER FACTOR			MAXIMUM POWER FACTOR CORRECTION
	FULL LOAD		3/4 LOAD %	1/2 LOAD	F. L. %	3/4 LOAD	1/2 LOAD	
	NOM. %	MIN. %						
3540	93.0	91.7	93.7	93.0	92.0	91.0	89.0	3.76 KVAR

CURRENTS

NO LOAD	FULL LOAD	LOCKED ROTOR	NEMA KVA CODE LETTER
8.2	54.7	363	

TORQUE

INERTIA

ACCEL TIME

FULL LOAD lb-ft	LOCKED ROTOR %FLT	PULL UP %FLT	BREAK DOWN %FLT	ROTOR WR ² lb-ft ²	NEMA LOAD WK ² lb-ft ²	MAX ALLOWABLE WK ² lb-ft ²	NEMA LOAD WK ² Sec	MAX ALLOWABLE WK ² Sec
74.15	230	200	250	3.229	49	147	3.70	11

SAFE STALL TIME IN SECONDS

ALLOWABLE STARTS PER HOUR

SOUND PRESSURE LEVEL @ 3 FT dB(A)

SAFE STALL TIME IN SECONDS		ALLOWABLE STARTS PER HOUR		SOUND PRESSURE LEVEL @ 3 FT dB(A)
COLD	HOT	COLD	HOT	
17	12	2	1	78

APPROVED:	D. Lu	DRAWING NO.	31057EP0502	REVISION 0
-----------	--------------	-------------	--------------------	-------------------

DATE:
June 22, 2005

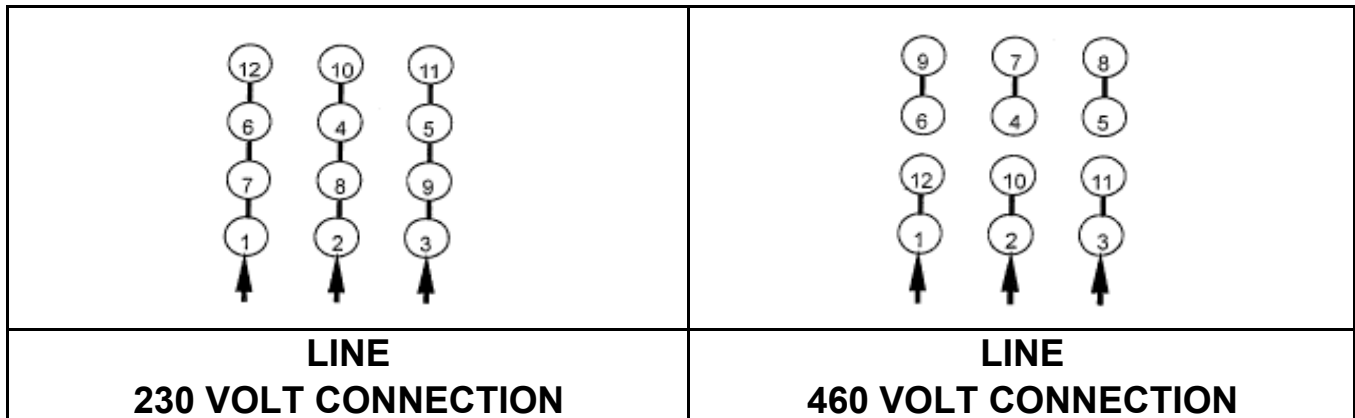
CONNECTION DIAGRAM

CATALOG NO.:
EP0502



SCHEMATIC - Δ / Y CONNECTION

ACROSS THE LINE CONNECTION



WYE START-DELTA RUN CONNECTION

