

DATE
JUNE 21, 2005
CATALOG NO.
EP05085

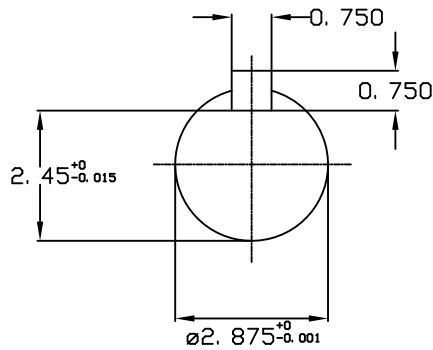
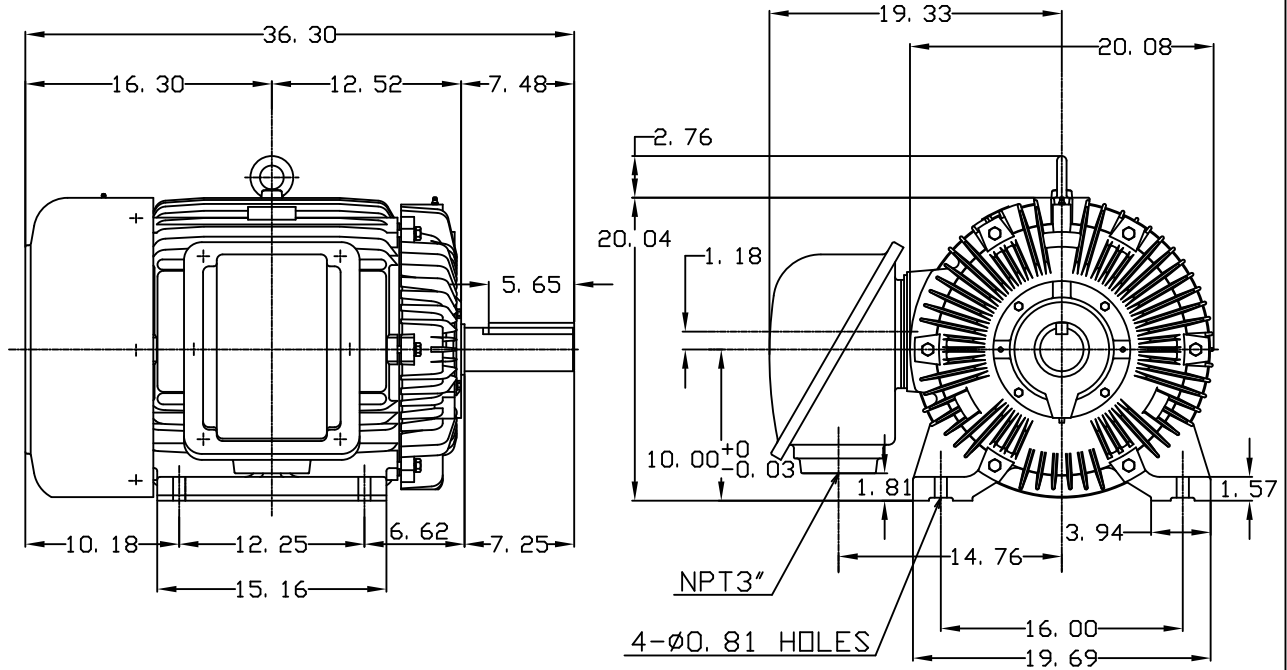
OUTLINE DIMENSIONS
3-PHASE INDUCTION MOTOR

MOTOR TYPE:
AEHH8N
FRAME NO. 404T

Pole	HP	KW	Hz	VOLT	Syn. Speed RPM
8	50	37.3	60	575	900

Ins	Rating	Dimension in	Approx Weight	Bearings
F	CONT.	inches	1166 lbs.	DE: 6317 NDE: 6313

Totally Enclosed Fan Cooled Type, Squirrel-cage Rotor.



DWN.	J. H. LIANG	11-30-98
CHKD.	C. H. KAO	12-26-98
APPD.	Y. B. HUANG	12-26-98

TECO Westinghouse

DWG NO.
31057H371000

TECO Westinghouse

ISSUED January 10, 2020	PERFORMANCE DATA	ENCLOSURE TEFC
TYPE AEHH8N	3-PHASE INDUCTION MOTOR	CATALOG# EP05085

NAMEPLATE INFORMATION

OUTPUT		POLE	FRAME SIZE	VOLTAGE	HZ	RATED AMBIENT	INS. CLASS	NEMA DESIGN	TIME RATING	SERVICE FACTOR
HP	KW									
50	37.3	8	404T	575	60	40°C	F	B	CONT.	1.15

TYPICAL PERFORMANCE

FULL LOAD RPM	EFFICIENCY				POWER FACTOR			MAXIMUM POWER FACTOR CORRECTION
	FULL LOAD		3/4 LOAD %	1/2 LOAD %	F. L. %	3/4 LOAD %	1/2 LOAD %	
	MIN. %	NOM. %						
885	91	92.4	93.6	93	80.5	77	67.5	14 KVAR

CURRENTS

NO LOAD			FULL LOAD			LOCKED ROTOR			NEMA KVA CODE LETTER
AT 575 VOLT			AT 575 VOLT			AT 575 VOLT			
19.52			50.00			290.00			

TORQUE

INERTIA

ACCEL TIME

FULL LOAD lb-ft	LOCKED ROTOR %FLT	PULL UP %FLT	BREAK DOWN %FLT	ROTOR WR ² lb-ft ²	NEMA LOAD WK ² lb-ft ²	MAX ALLOWABLE WK ² lb-ft ²	NEMA LOAD WK ² Sec	MAX ALLOWABLE WK ² Sec
296.6	200	175	230	31.465	1241	2666	6.22	13.18

SAFE STALL TIME IN SECONDS

ALLOWABLE STARTS PER HOUR

SOUND PRESSURE LEVEL @ 3 FT dB(A)

COLD		HOT		73
36	25	2	1	

APPROVED:	M. PRATER	DRAWING NO.	31057EP05085	REV 0
-----------	------------------	-------------	---------------------	--------------

DATE:
June 27, 2005

CONNECTION DIAGRAM

CATALOG NO.:



SCHEMATIC - Δ CONNECTION

ACROSS THE LINE CONNECTION



575 VOLT CONNECTION