

DATE  
JUNE 21, 2005  
CATALOG NO.  
EP06045

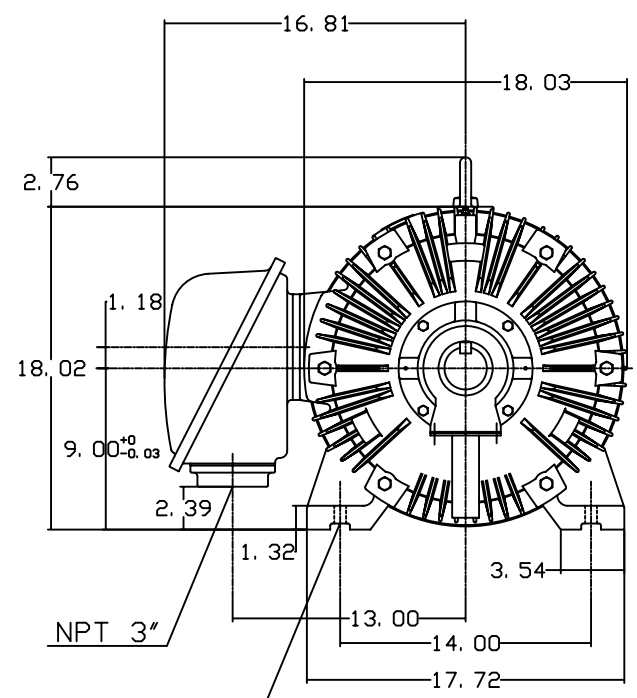
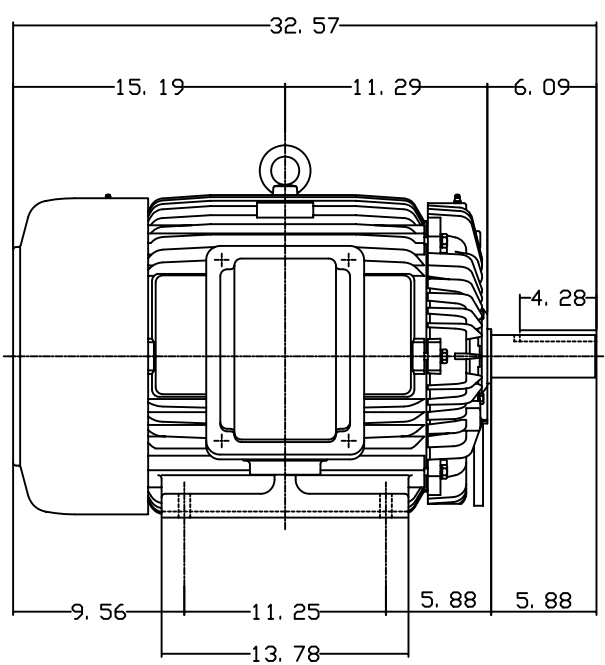
OUTLINE DIMENSIONS  
3-PHASE INDUCTION MOTOR

MOTOR TYPE:  
AEHH8N  
FRAME NO. 364T

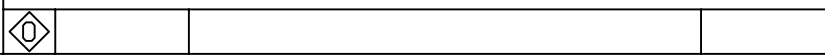
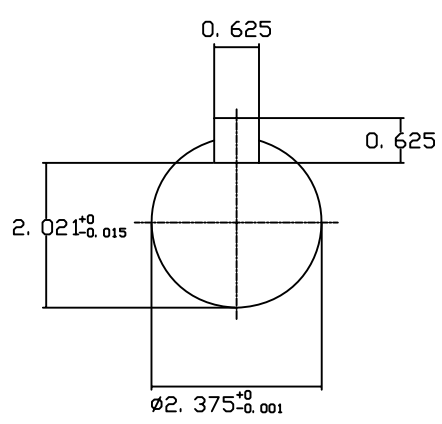
Pole	HP	KW	Hz	VOLT	Syn. Speed RPM
4	60	45	60	575	1800

Ins	Rating	Dimension in	Approx Weight	Bearings	
F	CONT.	inches	898 lbs.	DE: 6313	NDE: 6213

Totally Enclosed Fan-Cooled Type. Squirrel-Cage Rotor.



4-Ø0.66 Holes



DWN.	J. H. LIANG	11-30-98
CHKD.	C. H. KAD	12-26-98
APPD.	Y. B. HUANG	12-26-98



DWG NO.  
31057H368000

# TECO Westinghouse

ISSUED <b>August 25, 2009</b>	<b>PERFORMANCE DATA</b>	ENCLOSURE <b>TEFC</b>
TYPE <b>AEHH8N</b>	<b>3-PHASE INDUCTION MOTOR</b>	CATALOG# <b>EP06045</b>

### NAMEPLATE INFORMATION

OUTPUT		POLE	FRAME SIZE	VOLTAGE	HZ	RATED AMBIENT	INS. CLASS	NEMA DESIGN	TIME RATING	SERVICE FACTOR
HP	KW									
<b>60</b>	<b>44.8</b>	<b>4</b>	<b>364T</b>	<b>575</b>	<b>60</b>	<b>40°C</b>	<b>F</b>	<b>C</b>	<b>CONT.</b>	<b>1.15</b>

### TYPICAL PERFORMANCE

FULL LOAD RPM	EFFICIENCY				POWER FACTOR			MAXIMUM POWER FACTOR CORRECTION
	FULL LOAD		3/4 LOAD %	1/2 LOAD %	F. L. %	3/4 LOAD %	1/2 LOAD %	
	MIN. %	NOM. %						
<b>1775</b>	<b>94.1</b>	<b>95</b>	<b>95</b>	<b>94.5</b>	<b>86.5</b>	<b>83</b>	<b>75.5</b>	<b>17 KVAR</b>

### CURRENTS

NO LOAD		FULL LOAD			LOCKED ROTOR			NEMA KVA CODE LETTER
AT 575 VOLT		AT 575 VOLT			AT 575 VOLT			
<b>16.96</b>		<b>54.69</b>			<b>348.00</b>			

### TORQUE

### INERTIA

### ACCEL TIME

FULL LOAD lb-ft	LOCKED ROTOR %FLT	PULL UP %FLT	BREAK DOWN %FLT	ROTOR WR <sup>2</sup> lb-ft <sup>2</sup>	NEMA LOAD WK <sup>2</sup> lb-ft <sup>2</sup>	MAX ALLOWABLE WK <sup>2</sup> lb-ft <sup>2</sup>	NEMA LOAD WK <sup>2</sup> Sec	MAX ALLOWABLE WK <sup>2</sup> Sec
<b>177.5</b>	<b>200</b>	<b>155</b>	<b>240</b>	<b>12.229</b>	<b>275</b>	<b>583</b>	<b>4.59</b>	<b>9.50</b>

SAFE STALL TIME IN SECONDS

ALLOWABLE STARTS PER HOUR

SOUND PRESSURE LEVEL @ 3 FT dB(A)

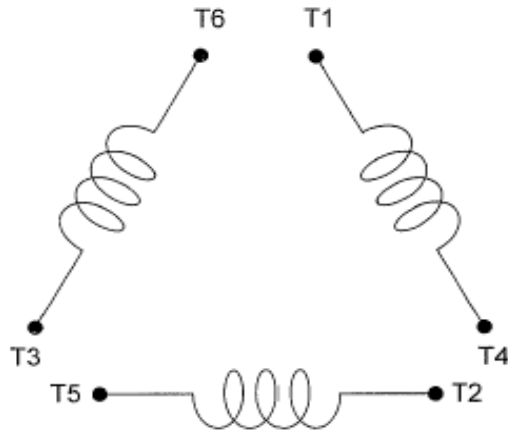
COLD	HOT	COLD	HOT	
<b>17</b>	<b>12</b>	<b>2</b>	<b>1</b>	<b>79</b>

APPROVED:	<b>M. PRATER</b>	DRAWING NO.	<b>31057EP06045</b>	REVISION <b>0</b>
-----------	------------------	-------------	---------------------	-------------------

DATE:  
July 7, 2005

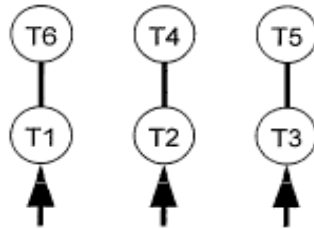
# CONNECTION DIAGRAM

CATALOG NO.:  
EP06045



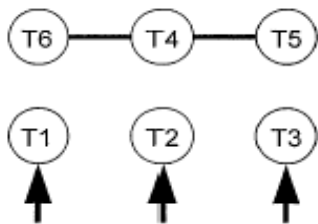
**SCHEMATIC -  $\Delta$  / Y CONNECTION**

## ACROSS THE LINE CONNECTION

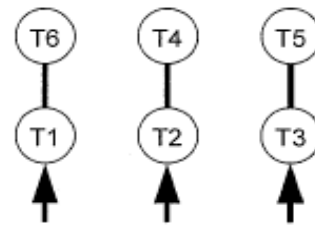


**575 VOLT CONNECTION**

## WYE START-DELTA RUN CONNECTION



**LINE  
575 VOLT START**



**LINE  
575 VOLT RUN**