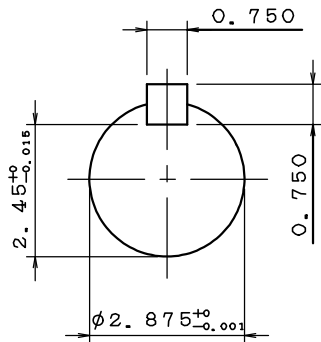
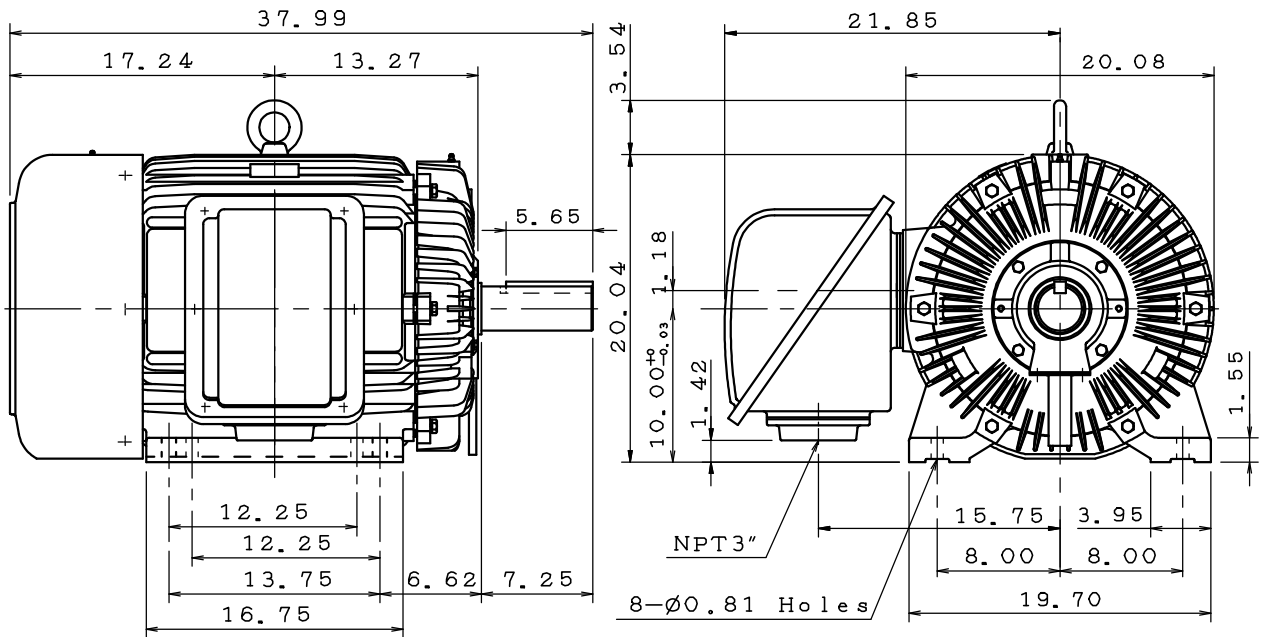


| | | | |
|--------------|---------------|--------------------|-------------------------|
| DATE | APRIL 1, 2020 | OUTLINE DIMENSIONS | MOTOR TYPE: |
| CATALOG NO.: | EP0608 | | 3-PHASE INDUCTION MOTOR |
| | | | FRAME NO. 405T |

| Pole | HP | kW | Hz | VOLT | r/min(rpm) |
|------|----|----|----|---------|------------|
| 8 | 60 | 45 | 60 | 230/460 | 900 |

| Ins | Rating | Dimension in | Approx Weight | Bearings | |
|-----|--------|--------------|---------------|----------|-----------|
| F | CONT. | inches | 1356 lbs | DE: 6317 | NDE: 6313 |

Totally Enclosed Fan Cooled Type. Squirrel-cage Rotor.



| | | |
|---|---|---|
| ◇ | . | . |
|---|---|---|

| | | | | |
|-------|------------|----------|---------------------------------|--------------|
| DWG. | C. T. CHEN | 12•20•19 | TECO Westinghouse | DWG NO. |
| CHKD. | M. C. JENG | 01•15•20 | | 31057M130030 |
| APPD. | M. C. JENG | 01•15•20 | | |

TECO Westinghouse

| | | |
|-----------------------------------|--------------------------------|---------------------------|
| ISSUED November 2, 2016 | PERFORMANCE DATA | ENCLOSURE TEFC |
| TYPE AEHH8N | 3-PHASE INDUCTION MOTOR | CATALOG# EP0608 |

NAMEPLATE INFORMATION

| OUTPUT | | POLE | FRAME SIZE | VOLTAGE | HZ | RATED AMBIENT | INS. CLASS | NEMA DESIGN | TIME RATING | SERVICE FACTOR |
|-----------|-------------|----------|-------------|----------------|-----------|---------------|------------|-------------|--------------|----------------|
| HP | KW | | | | | | | | | |
| 60 | 44.8 | 8 | 405T | 230/460 | 60 | 40°C | F | B | CONT. | 1.15 |

TYPICAL PERFORMANCE

| FULL LOAD RPM | EFFICIENCY | | | | POWER FACTOR | | | MAXIMUM POWER FACTOR CORRECTION |
|---------------|-------------|-------------|-------------|-------------|--------------|-------------|-------------|---------------------------------|
| | FULL LOAD | | 3/4 LOAD % | 1/2 LOAD % | F. L. % | 3/4 LOAD % | 1/2 LOAD % | |
| | MIN. % | NOM. % | | | | | | |
| 885 | 91.7 | 93.0 | 93.6 | 93.6 | 81.0 | 78.0 | 68.0 | 44 KVAR |

CURRENTS

| NO LOAD | | FULL LOAD | | LOCKED ROTOR | | NEMA KVA CODE LETTER |
|--------------|-------------|---------------|-------------|---------------|------------|----------------------|
| AT | AT | AT | AT | AT | AT | |
| 230 VOLT | 460 VOLT | 230 VOLT | 460 VOLT | 230 VOLT | 460 VOLT | |
| 55.20 | 27.6 | 149.20 | 74.6 | 870.00 | 435 | G |

TORQUE

INERTIA

ACCEL TIME

| FULL LOAD lb-ft | LOCKED ROTOR %FLT | PULL UP %FLT | BREAK DOWN %FLT | ROTOR WR ² lb-ft ² | NEMA LOAD WK ² lb-ft ² | MAX ALLOWABLE WK ² lb-ft ² | NEMA LOAD WK ² Sec | MAX ALLOWABLE WK ² Sec |
|-----------------|-------------------|--------------|-----------------|--|--|--|-------------------------------|-----------------------------------|
| 356.0 | 200 | 180 | 230 | 32.55 | 208 | 443 | 6.37 | 13.50 |

SAFE STALL TIME IN SECONDS

ALLOWABLE STARTS PER HOUR

SOUND PRESSURE LEVEL @ 3 FT dB(A)

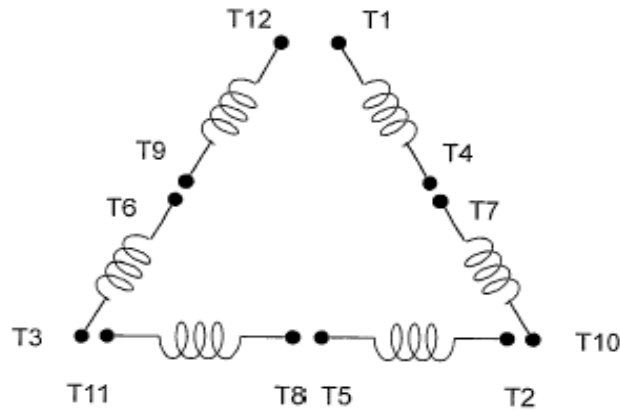
| COLD | HOT | COLD | HOT | 58 |
|-----------|-----------|----------|----------|----|
| 37 | 26 | 2 | 1 | |

| | | | | |
|-----------|------------------|-------------|--------------------|-------------------|
| APPROVED: | M. PRATER | DRAWING NO. | 31057EP0608 | REVISION 0 |
|-----------|------------------|-------------|--------------------|-------------------|

DATE:
December 2, 2005

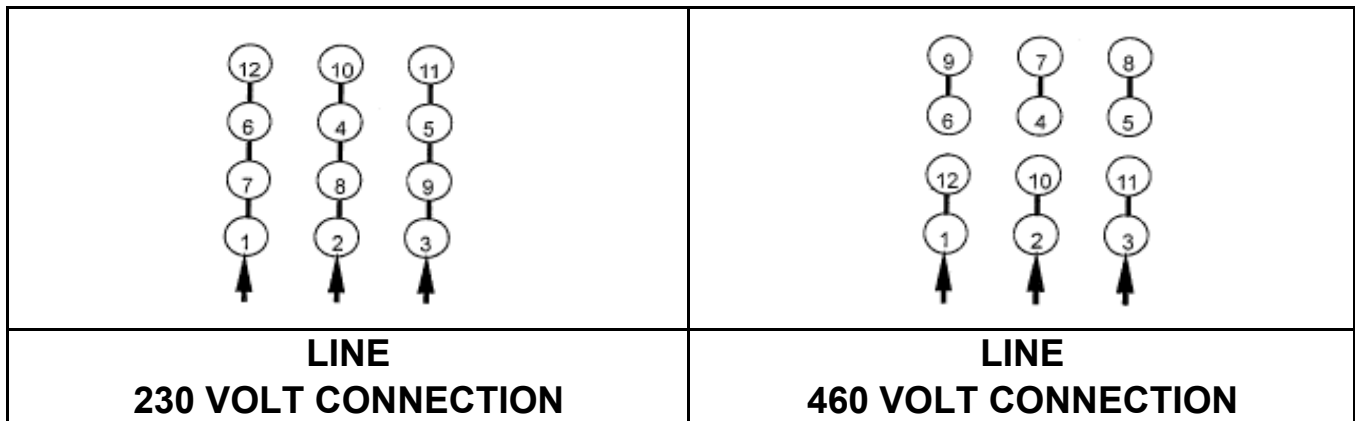
CONNECTION DIAGRAM

CATALOG NO.:
EP0608



SCHEMATIC - Δ / Y CONNECTION

ACROSS THE LINE CONNECTION



WYE START-DELTA RUN CONNECTION



DWG NO.
DAC-1565-4