

DATE
Sept. 8, 2005
CAT. #: EP07565

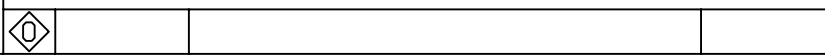
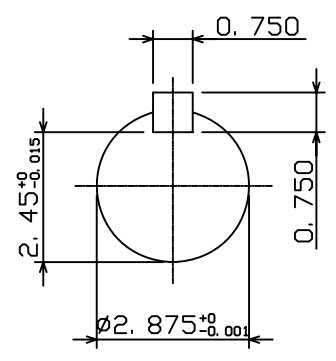
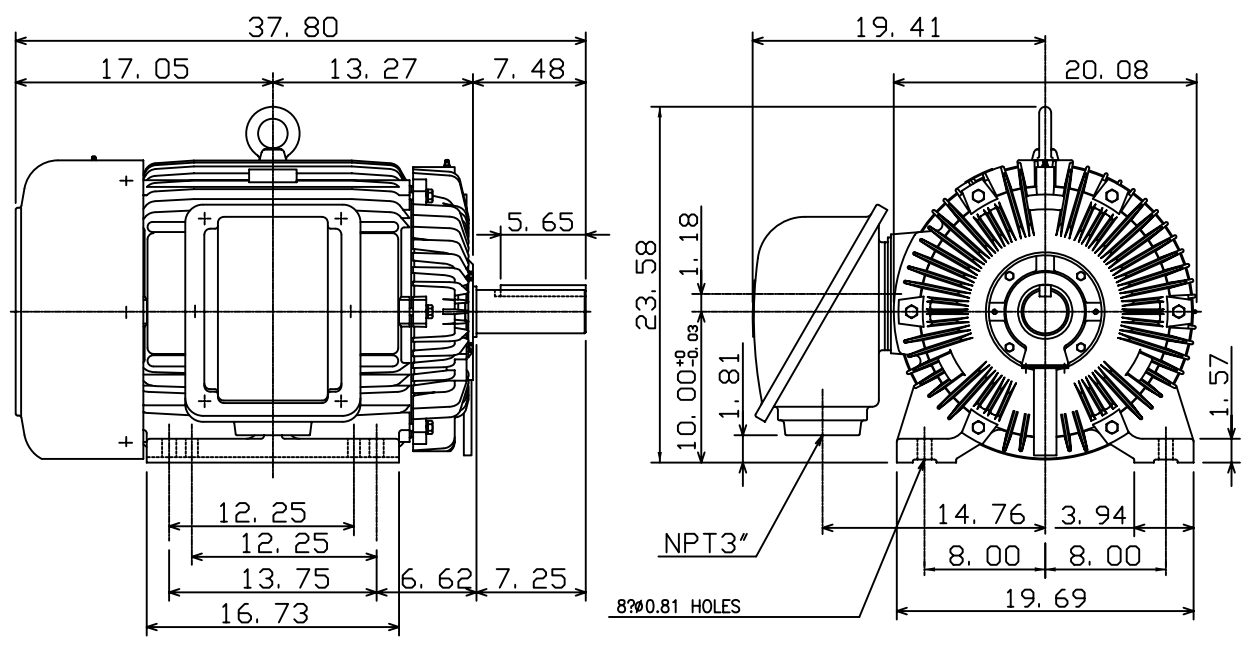
OUTLINE DIMENSIONS
3-PHASE INDUCTION MOTOR

MOTOR TYPE:
AEHH8N
FRAME NO. 405T

| Pole | HP | kW | Hz | VOLT | Syn. Speed r/min(rpm) |
|------|----|----|----|------|--------------------------|
| 6 | 75 | 56 | 60 | 575 | 1200 |

| Ins | Rating | Dimension in | Approx Weight | Bearings | |
|-----|--------|--------------|---------------|----------|-----------|
| F | CONT. | inches | 1270 lbs. | DE: 6317 | NDE: 6313 |

Totally Enclosed Fan Cooled Type, Squirrel-cage Rotor.



| | | |
|-------|------------|----------|
| DWN. | K. L. KUO | 01-11-05 |
| CHKD. | C. H. KAO | 01-28-05 |
| APPD. | M. C. TSAI | 01-28-05 |



DWG NO.
31057H373470

TECO Westinghouse

| | | |
|--------------------------------|--------------------------------|----------------------------|
| ISSUED June 28, 2005 | PERFORMANCE DATA | ENCLOSURE TEFC |
| TYPE AEHH8N | 3-PHASE INDUCTION MOTOR | CATALOG# EP07565 |

NAMEPLATE INFORMATION

| OUTPUT | | POLE | FRAME SIZE | VOLTAGE | HZ | RATED AMBIENT | INS. CLASS | NEMA DESIGN | TIME RATING | SERVICE FACTOR |
|-----------|-------------|----------|-------------|------------|-----------|---------------|------------|-------------|--------------|----------------|
| HP | KW | | | | | | | | | |
| 75 | 56.0 | 6 | 405T | 575 | 60 | 40°C | F | C | CONT. | 1.15 |

TYPICAL PERFORMANCE

| FULL LOAD RPM | EFFICIENCY | | | | POWER FACTOR | | | MAXIMUM POWER FACTOR CORRECTION |
|---------------|-------------|-------------|-------------|-------------|--------------|-------------|------------|---------------------------------|
| | FULL LOAD | | 3/4 LOAD % | 1/2 LOAD % | F. L. % | 3/4 LOAD % | 1/2 LOAD % | |
| | MIN. % | NOM. % | | | | | | |
| 1180 | 93.6 | 94.5 | 94.5 | 94.5 | 86.5 | 84.5 | 79 | 18 KVAR |

CURRENTS

| NO LOAD | | | FULL LOAD | | | LOCKED ROTOR | | | NEMA KVA CODE LETTER |
|---------|--------------|------|-----------|--------------|------|--------------|---------------|------|----------------------|
| AT | AT 575 | AT | AT | AT 575 | AT | AT | AT 575 | AT | |
| VOLT | VOLT | VOLT | VOLT | VOLT | VOLT | VOLT | VOLT | VOLT | |
| | 18.08 | | | 68.73 | | | 434.40 | | G |

TORQUE

INERTIA

ACCEL TIME

| FULL LOAD lb-ft | LOCKED ROTOR %FLT | PULL UP %FLT | BREAK DOWN %FLT | ROTOR WR ² lb-ft ² | NEMA LOAD WK ² lb-ft ² | MAX ALLOWABLE WK ² lb-ft ² | NEMA LOAD WK ² Sec | MAX ALLOWABLE WK ² Sec |
|-----------------|-------------------|--------------|-----------------|--|--|--|-------------------------------|-----------------------------------|
| 333.7 | 200 | 175 | 225 | 37.862 | 904 | 2050 | 5.52 | 12.24 |

SAFE STALL TIME IN SECONDS

ALLOWABLE STARTS PER HOUR

SOUND PRESSURE LEVEL @ 3 FT dB(A)

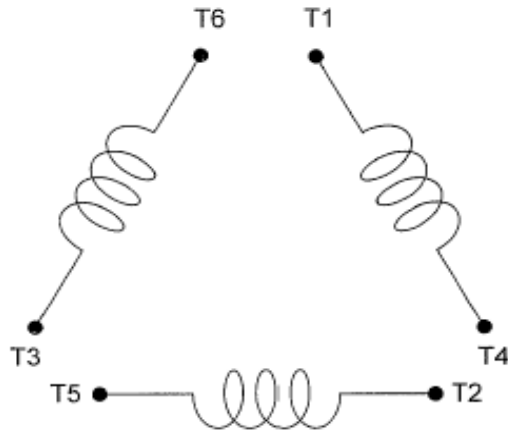
| COLD | HOT | COLD | HOT | 78 |
|-----------|-----------|----------|----------|----|
| 30 | 21 | 2 | 1 | |

| | | | | |
|-----------|------------------|-------------|---------------------|-------------------|
| APPROVED: | M. PRATER | DRAWING NO. | 31057EP07565 | REVISION 0 |
|-----------|------------------|-------------|---------------------|-------------------|

DATE:
July 7, 2005

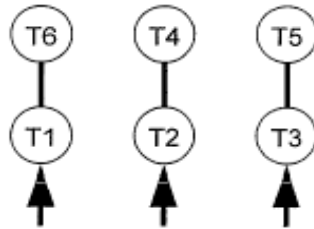
CONNECTION DIAGRAM

CATALOG NO.:
EP07565



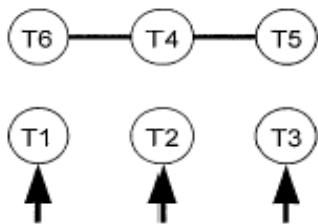
SCHEMATIC - Δ / Y CONNECTION

ACROSS THE LINE CONNECTION

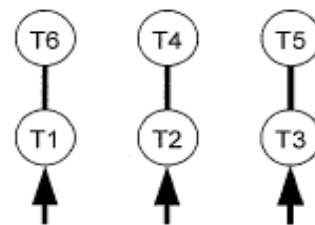


575 VOLT CONNECTION

WYE START-DELTA RUN CONNECTION



**LINE
575 VOLT START**



**LINE
575 VOLT RUN**