

DATE  
Sept. 25, 2006  
Cat. #: EP0756C

# OUTLINE DIMENSIONS

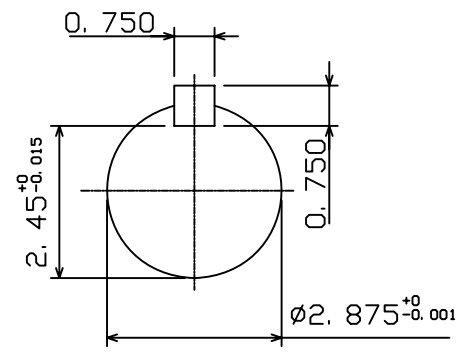
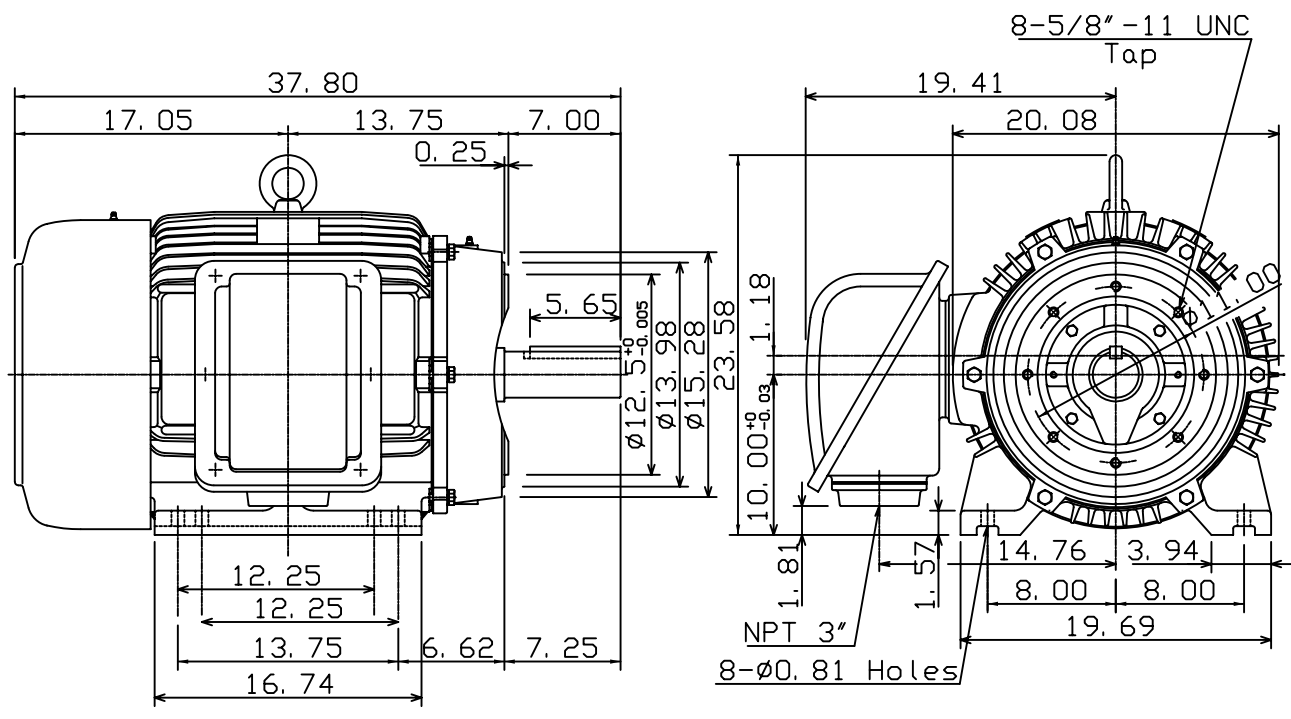
## 3-PHASE INDUCTION MOTOR

MOTOR TYPE:  
AEHH8N-CF  
FRAME NO. 405TC

Pole	HP	kW	Hz	VOLT	Syn. Speed r/min(rpm)
6	75	56	60	230/460	1200

Ins	Rating	Dimension in	Approx Weight	Bearings	
F	CONT.	inches	1310 lbs	DE: 6317	NDE: 6313

Totally Enclosed Fan Cooled Type. Squirrel-cage Rotor.



--	--	--	--	--	--	--	--

DWN.	K. L. KUO	01-11-05
CHKD.	C. H. KAO	01-28-05
APPD.	M. C. TSAI	01-28-05



DWG NO.  
31057H373480

# TECO Westinghouse

ISSUED <b>8/15/2014</b>	<b>PERFORMANCE DATA</b> <b>3-PHASE INDUCTION MOTOR</b>	ENCLOSURE <b>TEFC</b>
TYPE <b>AEHH8N</b>		CATALOG# <b>EP0756C</b>

### NAMEPLATE INFORMATION

OUTPUT		POLE	FRAME SIZE	VOLTAGE	HZ	RATED AMBIENT	INS. CLASS	NEMA DESIGN	TIME RATING	SERVICE FACTOR
HP	KW									
<b>75</b>	<b>56.0</b>	<b>6</b>	<b>405TC</b>	<b>230/460</b>	<b>60</b>	<b>40°C</b>	<b>F</b>	<b>B</b>	<b>CONT.</b>	<b>1.15</b>

### VARIABLE FREQUENCY DRIVE SERVICE

VARIABLE TORQUE				OHMS/PHASE EQUIVALENT WYE CIRCUIT (AT RATED OPERATING TEMPERATURE 25°C)				
HZ	HP	RPM	TORQUE (lb-ft)	R1	R2	X1	X2	X <sub>m</sub>
<b>3~60</b>	<b>0.009~75</b>	<b>60~1200</b>	<b>0.788~333.7</b>	<b>0.0413</b>	<b>0.0839</b>	<b>0.2687</b>	<b>0.4559</b>	<b>11.509</b>

CONSTANT TORQUE				CONSTANT HORSEPOWER			
HZ	HP	RPM	TORQUE (lb-ft)	HZ	HP	RPM	TORQUE (lb-ft)
<b>6~60</b>	<b>7.5~75</b>	<b>120~1200</b>	<b>333.7</b>	<b>60~90</b>	<b>75</b>	<b>1200~1800</b>	<b>333.7~222.5</b>

### TYPICAL PERFORMANCE

FULL LOAD RPM	EFFICIENCY				POWER FACTOR			SOUND PRESSURE LEVEL @ 3 FT Db(A)
	FULL LOAD		3/4 LOAD %	1/2 LOAD %	FULL LOAD %	3/4 LOAD %	1/2 LOAD %	
	MIN.%	NOM.%						
<b>1180</b>	<b>93.6</b>	<b>94.5</b>	<b>94.5</b>	<b>94.5</b>	<b>86.5</b>	<b>84.5</b>	<b>79</b>	<b>78</b>

CURRENTS										SAFE STALL TIME IN SECONDS	
NO LOAD			FULL LOAD			LOCKED ROTOR			NEMA KVA CODE LETTER		
AT 208 VOLT	AT 230 VOLT	AT 460 VOLT	AT 208 VOLT	AT 230 VOLT	AT 460 VOLT	AT 208 VOLT	AT 230 VOLT	AT 460 VOLT			COLD
<b>42.00</b>	<b>45.20</b>	<b>22.6</b>	<b>189.97</b>	<b>171.80</b>	<b>85.90</b>	<b>982.1</b>	<b>1086.0</b>	<b>543</b>	<b>G</b>	<b>30</b>	<b>21</b>

TORQUE				INERTIA			ACCEL TIME (DOL)		ALLOWABLE STARTS PER HOUR	
FULL LOAD (lb-ft)	LOCKED ROTOR %FLT	PULL UP %FLT	BREAK DOWN %FLT	ROTOR WR <sup>2</sup> (lb-ft <sup>2</sup> )	NEMA LOAD WK <sup>2</sup> (lb-ft <sup>2</sup> )	MAX ALLOWABLE WK <sup>2</sup> (lb-ft <sup>2</sup> )	NEMA LOAD WK <sup>2</sup> Sec	MAX ALLOWABLE WK <sup>2</sup> Sec	COLD	HOT
<b>333.70</b>	<b>200</b>	<b>175</b>	<b>225</b>	<b>37.862</b>	<b>904</b>	<b>2050</b>	<b>5.52</b>	<b>12.24</b>	<b>2</b>	<b>1</b>

APPROVED:	<b>M. PRATER</b>	DRAWING NO.	<b>31057EP0756C</b>	REVISION:	<b>1</b>
-----------	------------------	-------------	---------------------	-----------	----------

DATE:  
September 13, 2006

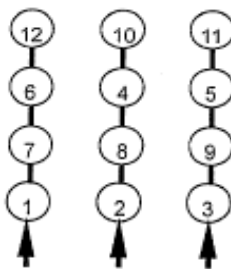
# CONNECTION DIAGRAM

CATALOG NO.:  
EP0756C

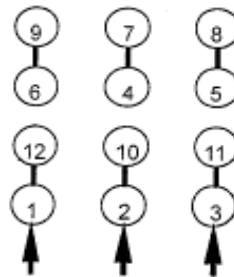


**SCHEMATIC - Δ / Y CONNECTION**

## ACROSS THE LINE CONNECTION

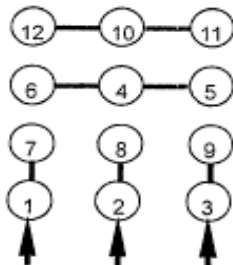


**LINE**  
**230 VOLT CONNECTION**

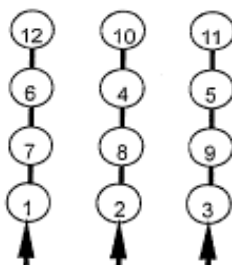


**LINE**  
**460 VOLT CONNECTION**

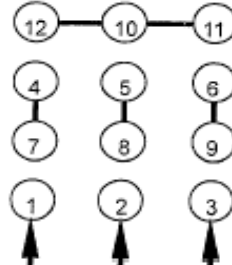
## WYE START-DELTA RUN CONNECTION



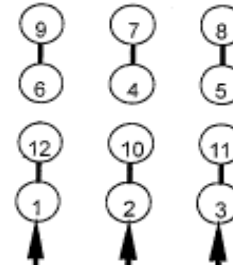
**LINE**  
**230 VOLT START**



**LINE**  
**230 VOLT RUN**



**LINE**  
**460 VOLT START**



**LINE**  
**460 VOLT RUN**



DWG NO.  
**DAC-1565-4**