

11

10

9

8

7

6

5

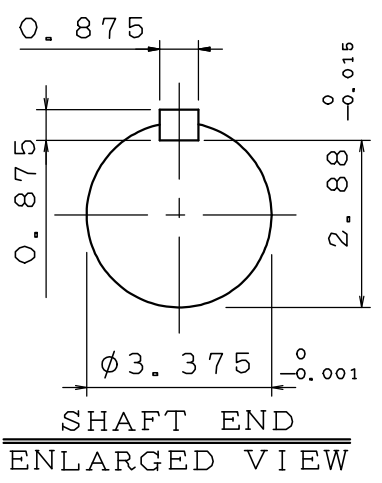
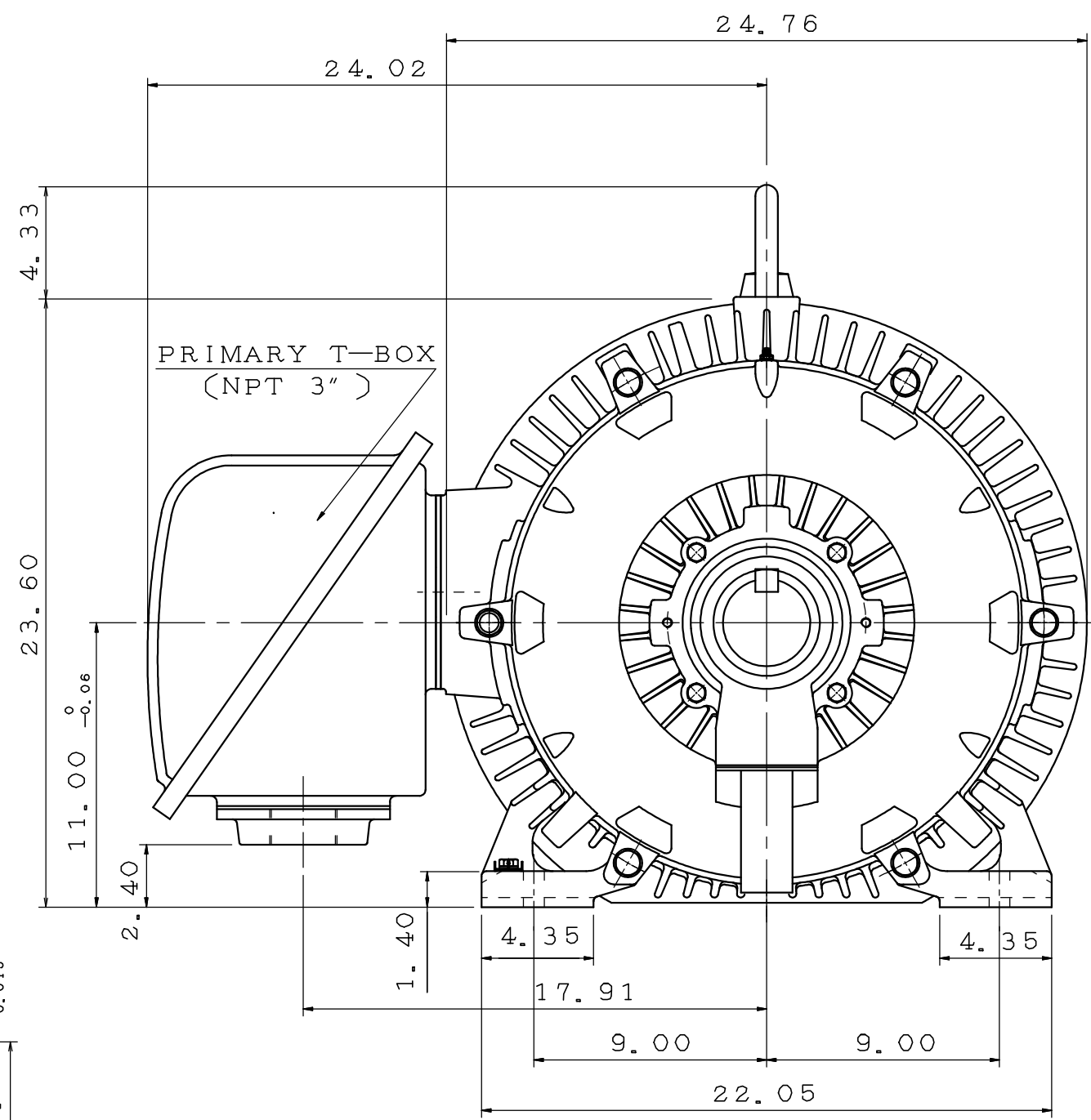
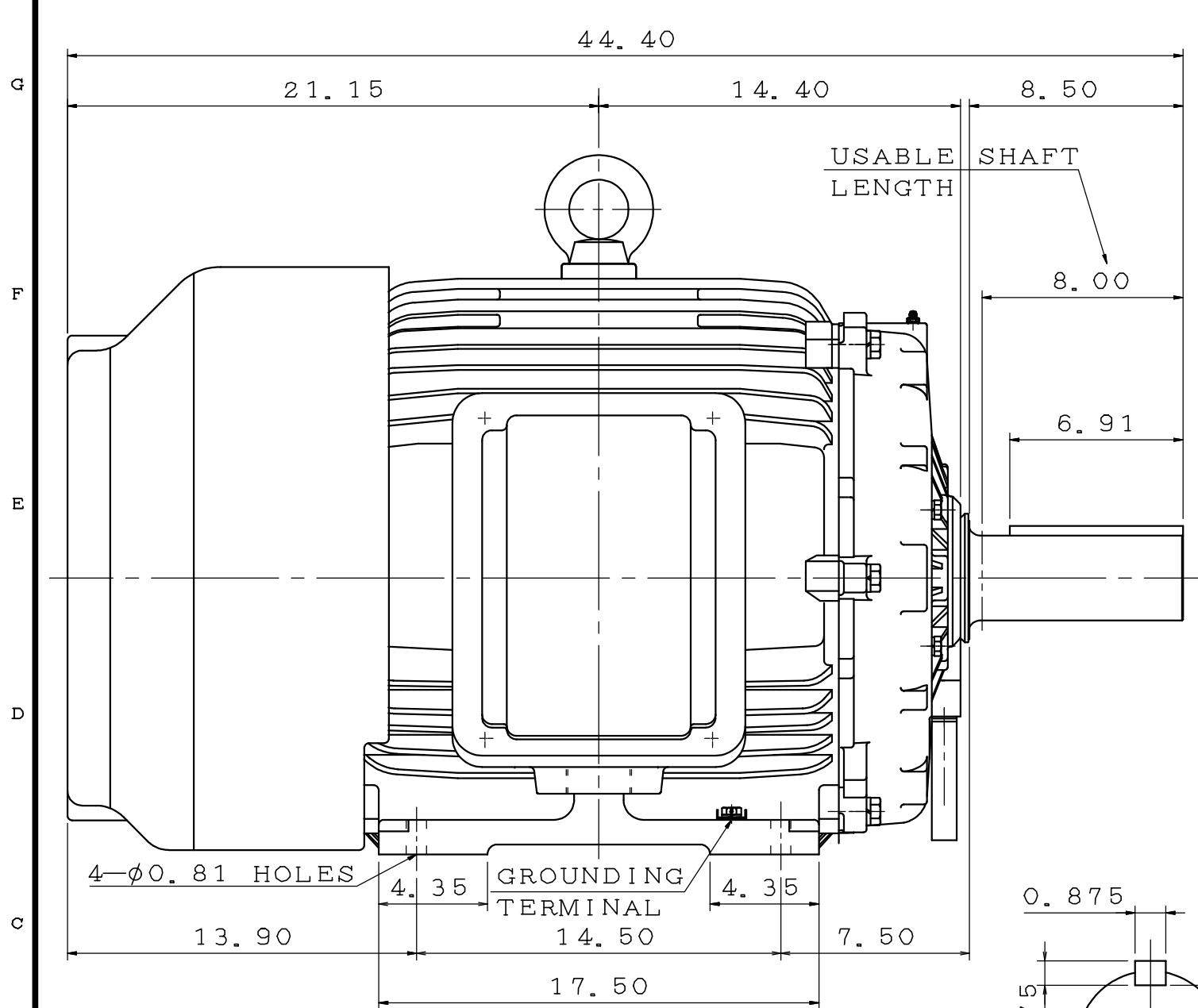
4

3

2

1

POLE	HP	kW	Hz	VOLT	r/min(RPM)	INS	RATING	DIMENSION IN	APPROX WEIGHT	BEARINGS
8	75	56	60	230/460	900	F	CONT.	INCH	14671bs	DE: 6318 NDE: 6316



NOTE:  
 1. FOR DIRECT FLEXIBLE COUPLING  
 2. ENCLOSURE: IP55 PROTECTION

OUTLINE DIMENSIONS  
 3-PHASE INDUCTION MOTOR

MOTOR TYPE	AEHH8N	FRAME NO.	444T
CATALOG NO:	EP0758	DATE	APRIL 1, 2020

APPD.	BEN. YANG	06.19.19
CHKD.	K. L. KUO	06.19.19
DWG.	K. L. KUO	06.15.19

**TECO** Westinghouse

DWG NO.  
 31057C574270

第三角法

11

10

9

8

7

6

5

4

3

2

1

# TECO Westinghouse

ISSUED <b>November 2, 2016</b>	<b>PERFORMANCE DATA</b>	ENCLOSURE <b>TEFC</b>
TYPE <b>AEHH8N</b>	<b>3-PHASE INDUCTION MOTOR</b>	CATALOG# <b>EP0758</b>

### NAMEPLATE INFORMATION

OUTPUT		POLE	FRAME SIZE	VOLTAGE	HZ	RATED AMBIENT	INS. CLASS	NEMA DESIGN	TIME RATING	SERVICE FACTOR
HP	KW									
<b>75</b>	<b>56.0</b>	<b>8</b>	<b>444T</b>	<b>230/460</b>	<b>60</b>	<b>40°C</b>	<b>F</b>	<b>B</b>	<b>CONT.</b>	<b>1.15</b>

### TYPICAL PERFORMANCE

FULL LOAD RPM	EFFICIENCY				POWER FACTOR			MAXIMUM POWER FACTOR CORRECTION
	FULL LOAD		3/4 LOAD %	1/2 LOAD %	F. L. %	3/4 LOAD %	1/2 LOAD %	
	MIN. %	NOM. %						
<b>885</b>	<b>92.4</b>	<b>93.6</b>	<b>93.0</b>	<b>91.7</b>	<b>79.0</b>	<b>76.0</b>	<b>67.0</b>	<b>57 KVAR</b>

### CURRENTS

NO LOAD		FULL LOAD		LOCKED ROTOR		NEMA KVA CODE LETTER
AT	AT	AT	AT	AT	AT	
230 VOLT	460 VOLT	230 VOLT	460 VOLT	230 VOLT	460 VOLT	
<b>72.00</b>	<b>36</b>	<b>191.20</b>	<b>95.0</b>	<b>1096.00</b>	<b>548</b>	<b>G</b>

### TORQUE

### INERTIA

### ACCEL TIME

FULL LOAD lb-ft	LOCKED ROTOR %FLT	PULL UP %FLT	BREAK DOWN %FLT	ROTOR WR <sup>2</sup> lb-ft <sup>2</sup>	NEMA LOAD WK <sup>2</sup> lb-ft <sup>2</sup>	MAX ALLOWABLE WK <sup>2</sup> lb-ft <sup>2</sup>	NEMA LOAD WK <sup>2</sup> Sec	MAX ALLOWABLE WK <sup>2</sup> Sec
<b>445.0</b>	<b>130</b>	<b>110</b>	<b>210</b>	<b>55.10</b>	<b>208</b>	<b>443</b>	<b>6.37</b>	<b>13.50</b>

SAFE STALL TIME IN SECONDS

ALLOWABLE STARTS PER HOUR

SOUND PRESSURE LEVEL @ 3 FT dB(A)

COLD	HOT	COLD	HOT	58
<b>37</b>	<b>26</b>	<b>2</b>	<b>1</b>	

APPROVED:	<b>M. PRATER</b>	DRAWING NO.	<b>31057EP0758</b>	REVISION <b>0</b>
-----------	------------------	-------------	--------------------	-------------------

DATE:  
December 2, 2005

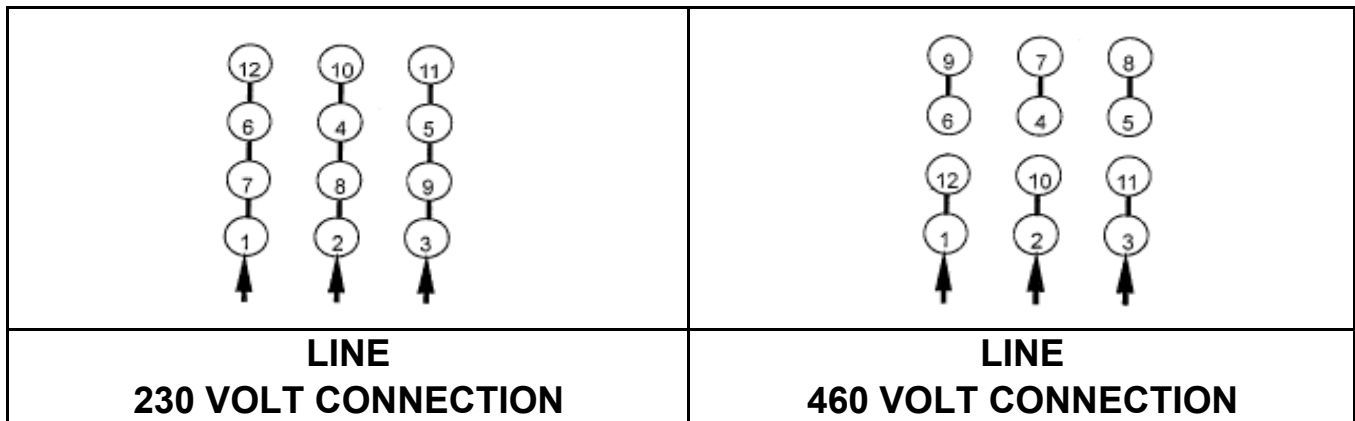
# CONNECTION DIAGRAM

CATALOG NO.:  
EP0758



**SCHEMATIC - Δ / Y CONNECTION**

## ACROSS THE LINE CONNECTION



## WYE START-DELTA RUN CONNECTION



DWG NO.  
**DAC-1565-4**