

DATE
JUNE 21, 2005
CATALOG NO.
EP1/525

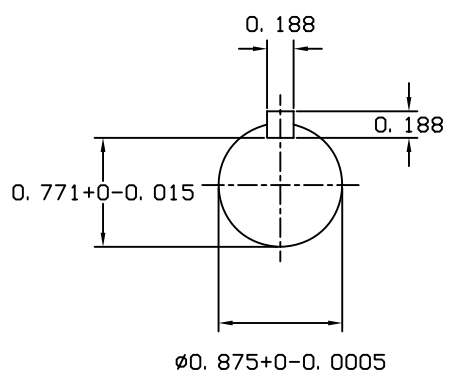
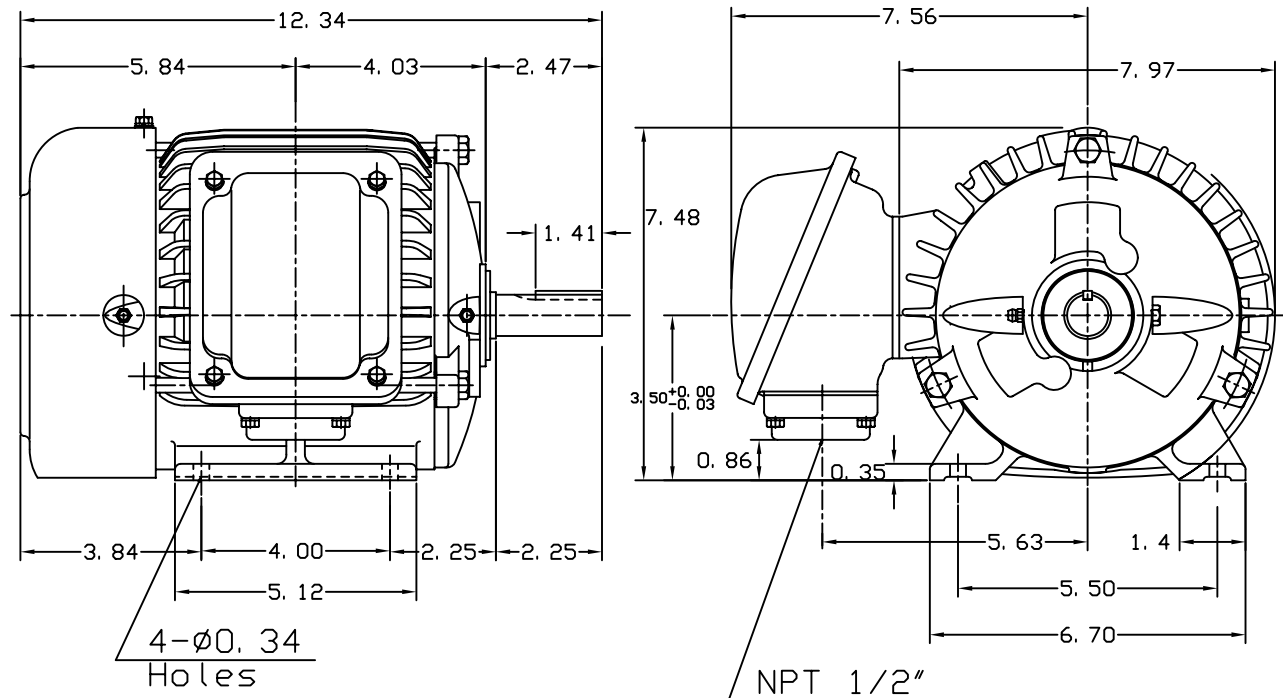
OUTLINE DIMENSIONS
3-PHASE INDUCTION MOTOR

MOTOR TYPE:
AEHH8N
FRAME NO. 143T

| Pole | HP | KW | Hz | VOLT | Syn. Speed RPM |
|------|-----|----|----|------|-------------------|
| 2 | 1.5 | 1 | 60 | 575 | 3600 |

| Ins | Rating | Dimension in | Approx Weight | Bearings |
|-----|--------|--------------|---------------|------------------------|
| F | CONT. | inch | 55 lbs. | DE: 6205ZZ NDE: 6205ZZ |

Totally Enclosed Fan-Cooled Type. Squirrel-Cage Rotor.



| | | |
|---|--|--|
| ◇ | | |
|---|--|--|

| | | |
|-------|-------------|----------|
| DWN. | J. H. LIANG | 11-30-98 |
| CHKD. | C. S. LO | 12-29-98 |
| APPD. | Y. B. HUANG | 12-29-98 |



DWG NO.
31057H351001

TECO Westinghouse

| | | |
|--------------------------------|--------------------------------|----------------------------|
| ISSUED June 28, 2005 | PERFORMANCE DATA | ENCLOSURE TEFC |
| TYPE AEHH8N | 3-PHASE INDUCTION MOTOR | CATALOG# EP1/525 |

NAMEPLATE INFORMATION

| OUTPUT | | POLE | FRAME SIZE | VOLTAGE | HZ | RATED AMBIENT | INS. CLASS | NEMA DESIGN | TIME RATING | SERVICE FACTOR |
|----------|------------|----------|-------------|------------|-----------|---------------|------------|-------------|--------------|----------------|
| HP | KW | | | | | | | | | |
| 2 | 1.1 | 2 | 143T | 575 | 60 | 40°C | F | B | CONT. | 1.15 |

TYPICAL PERFORMANCE

| FULL LOAD RPM | EFFICIENCY | | | | POWER FACTOR | | | MAXIMUM POWER FACTOR CORRECTION |
|---------------|-------------|-----------|-----------|-------------|--------------|-----------|-----------|---------------------------------|
| | FULL LOAD | | 3/4 LOAD | 1/2 LOAD | F. L. | 3/4 LOAD | 1/2 LOAD | |
| | MIN. % | NOM. % | % | % | % | % | % | |
| 3465 | 81.5 | 84 | 84 | 81.5 | 83.5 | 77 | 65 | 1 KVAR |

CURRENTS

| NO LOAD | | | FULL LOAD | | | LOCKED ROTOR | | | NEMA KVA CODE LETTER |
|---------|-------------|------|-----------|-------------|------|--------------|--------------|------|----------------------|
| AT | AT | AT | AT | AT | AT | AT | AT | AT | |
| VOLT | 575 VOLT | VOLT | VOLT | 575 VOLT | VOLT | VOLT | 575 VOLT | VOLT | |
| | 0.74 | | | 1.60 | | | 16.00 | | M |

TORQUE

INERTIA

ACCEL TIME

| FULL LOAD lb-ft | LOCKED ROTOR %FLT | PULL UP %FLT | BREAK DOWN %FLT | ROTOR WR ² lb-ft ² | NEMA LOAD WK ² lb-ft ² | MAX ALLOWABLE WK ² lb-ft ² | NEMA LOAD WK ² Sec | MAX ALLOWABLE WK ² Sec |
|-----------------|-------------------|--------------|-----------------|--|--|--|-------------------------------|-----------------------------------|
| 2.273 | 340 | 280 | 350 | 0.052 | 1.8 | 6.7 | 3.01 | 10.96 |

SAFE STALL TIME IN SECONDS

ALLOWABLE STARTS PER HOUR

SOUND PRESSURE LEVEL @ 3 FT dB(A)

| COLD | HOT | COLD | HOT | 60 |
|-----------|-----------|----------|----------|----|
| 17 | 12 | 2 | 1 | |

| | | | | |
|-----------|------------------|-------------|---------------------|-------------------|
| APPROVED: | M. PRATER | DRAWING NO. | 31057EP1/525 | REVISION 0 |
|-----------|------------------|-------------|---------------------|-------------------|

DATE:
July 7, 2005

CONNECTION DIAGRAM

CATALOG NO.:
EP1/525



SCHEMATIC - Y CONNECTION

ACROSS THE LINE CONNECTION



575 VOLT CONNECTION