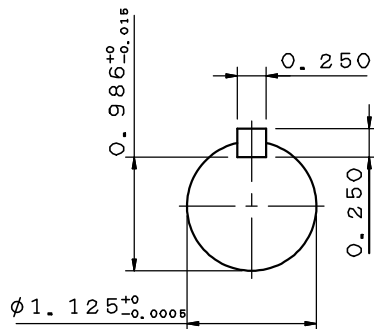
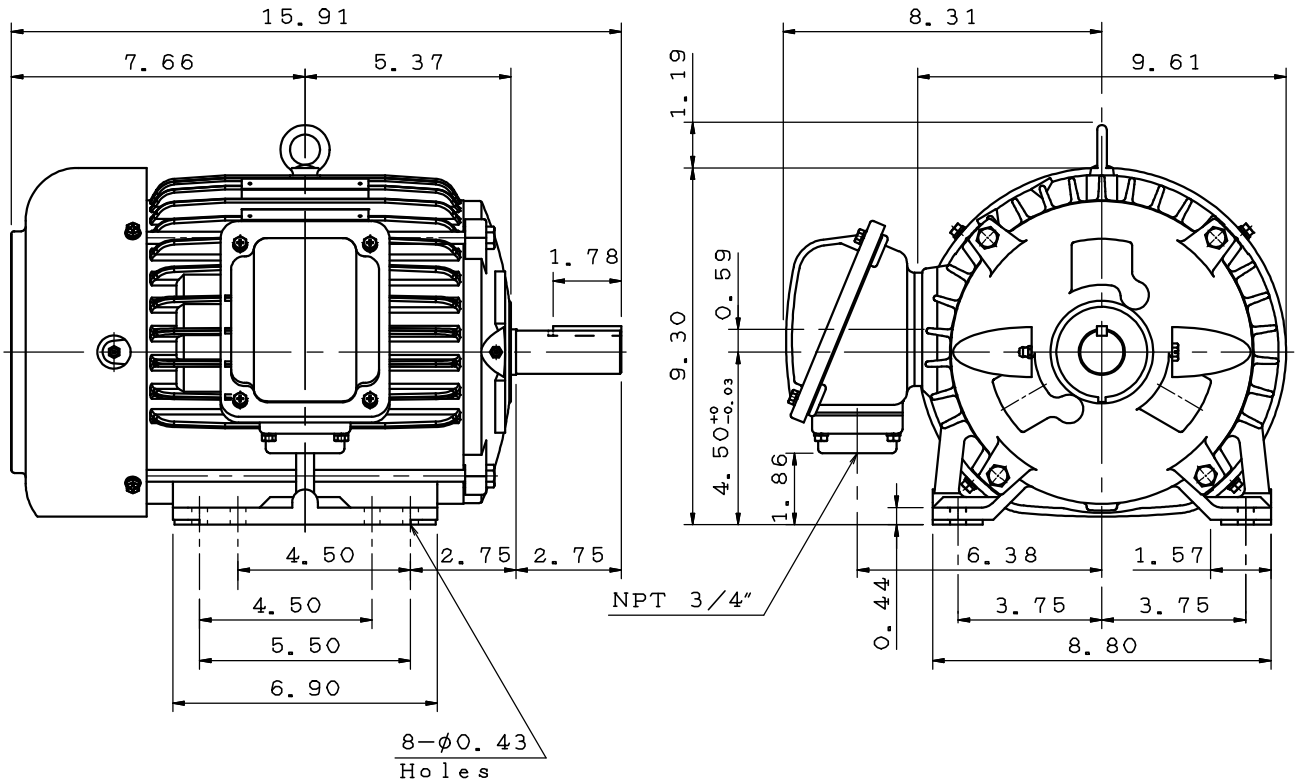


|              |               |                    |                         |
|--------------|---------------|--------------------|-------------------------|
| DATE         | APRIL 1, 2020 | OUTLINE DIMENSIONS | MOTOR TYPE:             |
| CATALOG NO.: | EP1/58        |                    | 3-PHASE INDUCTION MOTOR |
|              |               |                    | FRAME NO. 184T          |

| Pole | HP  | kW  | Hz | VOLT    | r/min(rpm) |
|------|-----|-----|----|---------|------------|
| 8    | 1.5 | 1.1 | 60 | 230/460 | 900        |

| Ins | Rating | Dimension in | Approx Weight | Bearings               |
|-----|--------|--------------|---------------|------------------------|
| F   | CONT.  | Inch         | 94 lbs        | DE: 6306ZZ NDE: 6306ZZ |

Totally Enclosed Fan-Cooled Type. Squirrel-Cage Rotor.



|   |          |                     |        |
|---|----------|---------------------|--------|
| 1 | 08 08 19 | NDE Bearing Changed | Mahato |
|---|----------|---------------------|--------|

|       |            |          |                                 |              |
|-------|------------|----------|---------------------------------|--------------|
| DWG.  | Mahato     | 07.25.19 | <b>TECO</b> <b>Westinghouse</b> | DWG NO.      |
| CHKD. | M. C. JENG | 07.26.19 |                                 | 31049R342071 |
| APPD. | M. C. JENG | 07.26.19 |                                 |              |

# TECO Westinghouse

|                           |                                |                           |
|---------------------------|--------------------------------|---------------------------|
| ISSUED<br><b>11/02/16</b> | <b>PERFORMANCE DATA</b>        | ENCLOSURE<br><b>TEFC</b>  |
| TYPE<br><b>AEHH8N</b>     | <b>3-PHASE INDUCTION MOTOR</b> | CATALOG#<br><b>EP1/58</b> |

### NAMEPLATE INFORMATION

| OUTPUT     |            | POLE     | FRAME SIZE  | VOLTAGE    | HZ        | RATED AMBIENT | INS. CLASS | NEMA DESIGN | TIME RATING  | SERVICE FACTOR |
|------------|------------|----------|-------------|------------|-----------|---------------|------------|-------------|--------------|----------------|
| HP         | KW         |          |             |            |           |               |            |             |              |                |
| <b>1.5</b> | <b>1.1</b> | <b>6</b> | <b>184T</b> | <b>460</b> | <b>60</b> | <b>40°C</b>   | <b>F</b>   | <b>B</b>    | <b>CONT.</b> | <b>1.15</b>    |

### TYPICAL PERFORMANCE

| FULL LOAD RPM | EFFICIENCY  |             |             |             | POWER FACTOR |             |             | MAXIMUM POWER FACTOR CORRECTION |
|---------------|-------------|-------------|-------------|-------------|--------------|-------------|-------------|---------------------------------|
|               | FULL LOAD   |             | 3/4 LOAD %  | 1/2 LOAD %  | F. L. %      | 3/4 LOAD %  | 1/2 LOAD %  |                                 |
|               | MIN. %      | NOM. %      |             |             |              |             |             |                                 |
| <b>860</b>    | <b>75.5</b> | <b>78.5</b> | <b>76.0</b> | <b>71.0</b> | <b>60.5</b>  | <b>51.5</b> | <b>39.5</b> | <b>2 KVAR</b>                   |

### CURRENTS

| NO LOAD     |             | FULL LOAD   |             | LOCKED ROTOR |           | NEMA KVA CODE LETTER |
|-------------|-------------|-------------|-------------|--------------|-----------|----------------------|
| AT          | AT          | AT          | AT          | AT           | AT        |                      |
| 230 VOLT    | 460 VOLT    | 230 VOLT    | 460 VOLT    | 230 VOLT     | 460 VOLT  |                      |
| <b>4.96</b> | <b>2.48</b> | <b>6.02</b> | <b>2.96</b> | <b>40</b>    | <b>15</b> | <b>M</b>             |

### TORQUE

### INERTIA

### ACCEL TIME

| FULL LOAD lb-ft | LOCKED ROTOR %FLT | PULL UP %FLT | BREAK DOWN %FLT | ROTOR WK <sup>2</sup> lb-ft <sup>2</sup> | NEMA LOAD WK <sup>2</sup> lb-ft <sup>2</sup> | MAX ALLOWABLE WK <sup>2</sup> lb-ft <sup>2</sup> | NEMA LOAD WK <sup>2</sup> Sec | MAX ALLOWABLE WK <sup>2</sup> Sec |
|-----------------|-------------------|--------------|-----------------|--|--|--|-------------------------------|-----------------------------------|
|                 |                   |              |                 |  |  |  |                               |                                   |

SAFE STALL TIME IN SECONDS

ALLOWABLE STARTS PER HOUR

SOUND PRESSURE LEVEL @ 3 FT dB(A)

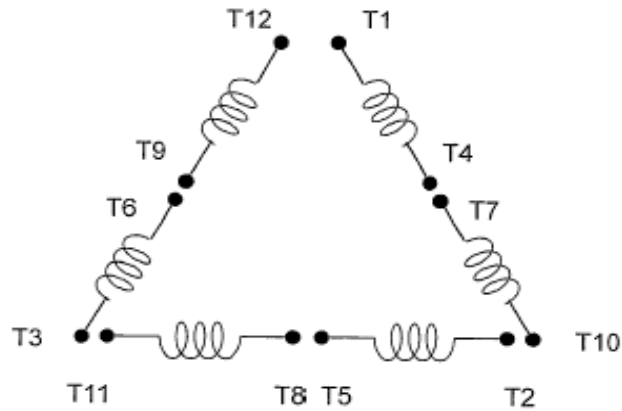
| SAFE STALL TIME IN SECONDS |           | ALLOWABLE STARTS PER HOUR |          | SOUND PRESSURE LEVEL @ 3 FT dB(A) |
|----------------------------|-----------|---------------------------|----------|-----------------------------------|
| COLD                       | HOT       | COLD                      | HOT      |                                   |
| <b>60</b>                  | <b>42</b> | <b>2</b>                  | <b>1</b> | <b>51</b>                         |

|           |                  |             |                    |                   |
|-----------|------------------|-------------|--------------------|-------------------|
| APPROVED: | <b>M. PRATER</b> | DRAWING NO. | <b>31057EP1/58</b> | REVISION <b>0</b> |
|-----------|------------------|-------------|--------------------|-------------------|

DATE:  
December 2, 2005

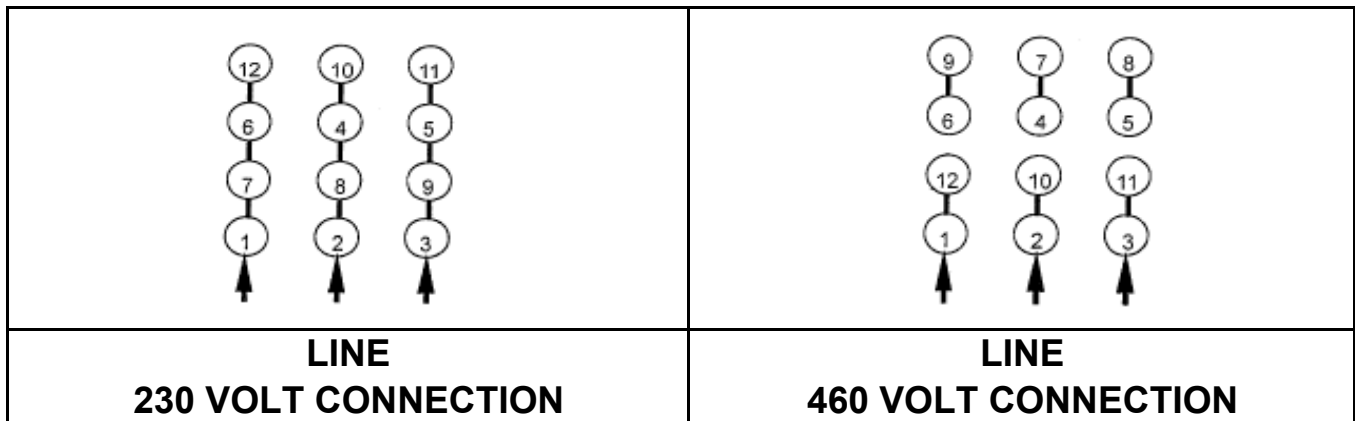
# CONNECTION DIAGRAM

CATALOG NO.:  
EP1/58



**SCHEMATIC - Δ / Y CONNECTION**

## ACROSS THE LINE CONNECTION



## WYE START-DELTA RUN CONNECTION

