

DATE
Sept. 8, 2005
CAT. #: EP10025

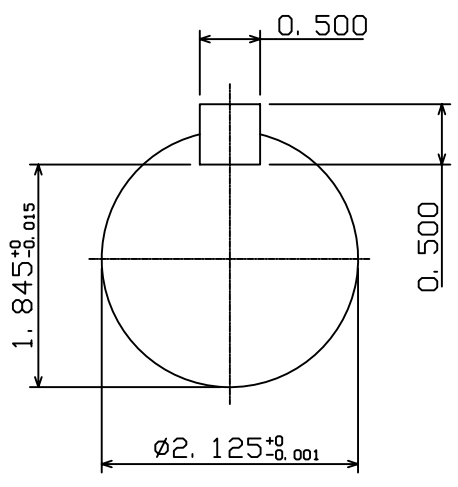
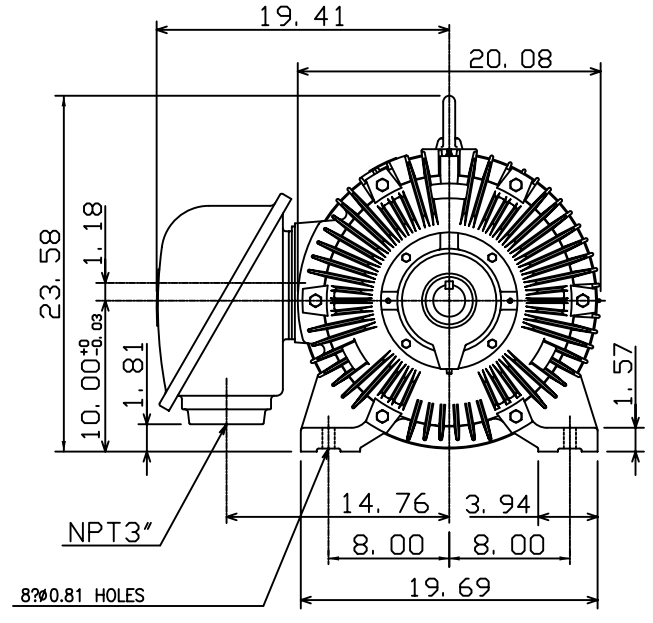
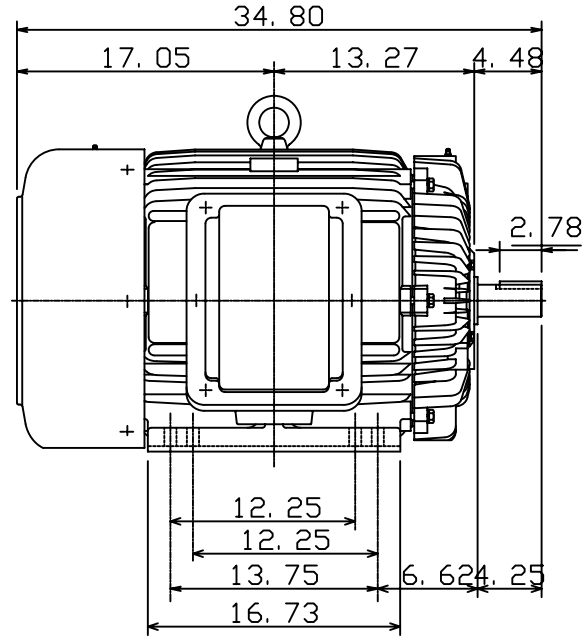
OUTLINE DIMENSIONS
3-PHASE INDUCTION MOTOR

MOTOR TYPE:
AEHH8N
FRAME NO. 405TS

Pole	HP	kW	Hz	VOLT	Syn. Speed r/min(rpm)
2	100	75	60	575	3600

Ins	Rating	Dimension in	Approx Weight	Bearings
F	CONT.	inches	1179 lbs.	DE: 6313C3 NDE: 6313C3

Totally Enclosed Fan Cooled Type, Squirrel-cage Rotor.



□

DWN.	K. L. KUO	01-11-05
CHKD.	C. H. KAO	01-28-05
APPD.	M. C. TSAI	01-28-05



DWG NO.
31057H372190

TECO Westinghouse

ISSUED June 28, 2005	PERFORMANCE DATA	ENCLOSURE TEFC
TYPE AEHH8N	3-PHASE INDUCTION MOTOR	CATALOG# EP10025

NAMEPLATE INFORMATION

OUTPUT		POLE	FRAME SIZE	VOLTAGE	HZ	RATED AMBIENT	INS. CLASS	NEMA DESIGN	TIME RATING	SERVICE FACTOR
HP	KW									
100	74.6	2	405TS	575	60	40°C	F	B	CONT.	1.15

TYPICAL PERFORMANCE

FULL LOAD RPM	EFFICIENCY				POWER FACTOR			MAXIMUM POWER FACTOR CORRECTION
	FULL LOAD		3/4 LOAD %	1/2 LOAD %	F. L. %	3/4 LOAD %	1/2 LOAD %	
	MIN. %	NOM. %						
3560	94.5	95.4	95.8	95.4	92	91.5	88.5	18 KVAR

CURRENTS

NO LOAD			FULL LOAD			LOCKED ROTOR			NEMA KVA CODE LETTER
AT	AT	AT	AT	AT	AT	AT	AT	AT	
VOLT	575 VOLT	VOLT	VOLT	575 VOLT	VOLT	VOLT	575 VOLT	VOLT	
	15.68			85.35			580.00		G

TORQUE

INERTIA

ACCEL TIME

FULL LOAD lb-ft	LOCKED ROTOR %FLT	PULL UP %FLT	BREAK DOWN %FLT	ROTOR WR ² lb-ft ²	NEMA LOAD WK ² lb-ft ²	MAX ALLOWABLE WK ² lb-ft ²	NEMA LOAD WK ² Sec	MAX ALLOWABLE WK ² Sec
147.5	140	125	270	10.773	92	213	4.06	8.84

SAFE STALL TIME IN SECONDS

ALLOWABLE STARTS PER HOUR

SOUND PRESSURE LEVEL @ 3 FT dB(A)

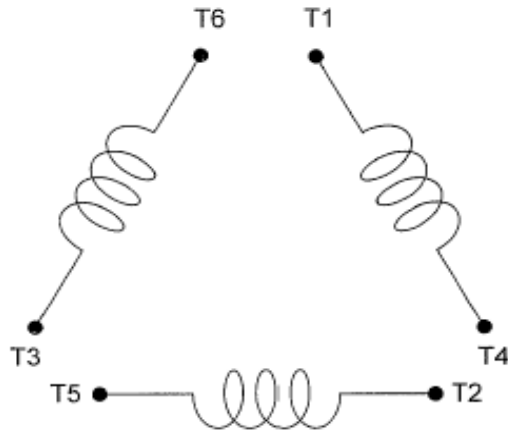
COLD		HOT		
17	12	2	1	

APPROVED:	M. PRATER	DRAWING NO.	31057EP10025	REVISION 0
-----------	------------------	-------------	---------------------	-------------------

DATE:
July 7, 2005

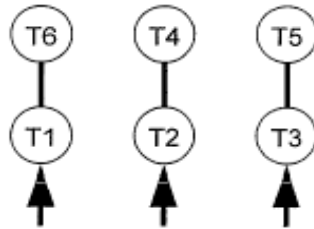
CONNECTION DIAGRAM

CATALOG NO.:
EP10025



SCHEMATIC - Δ / Y CONNECTION

ACROSS THE LINE CONNECTION



575 VOLT CONNECTION

WYE START-DELTA RUN CONNECTION



**LINE
575 VOLT START**



**LINE
575 VOLT RUN**