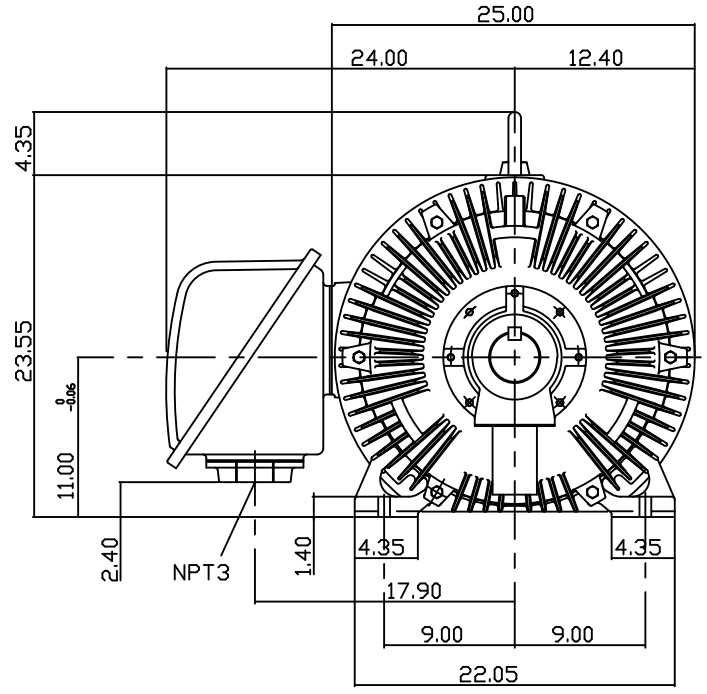
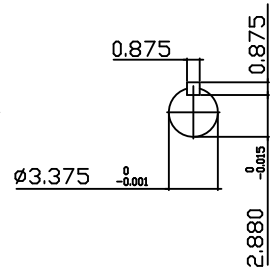
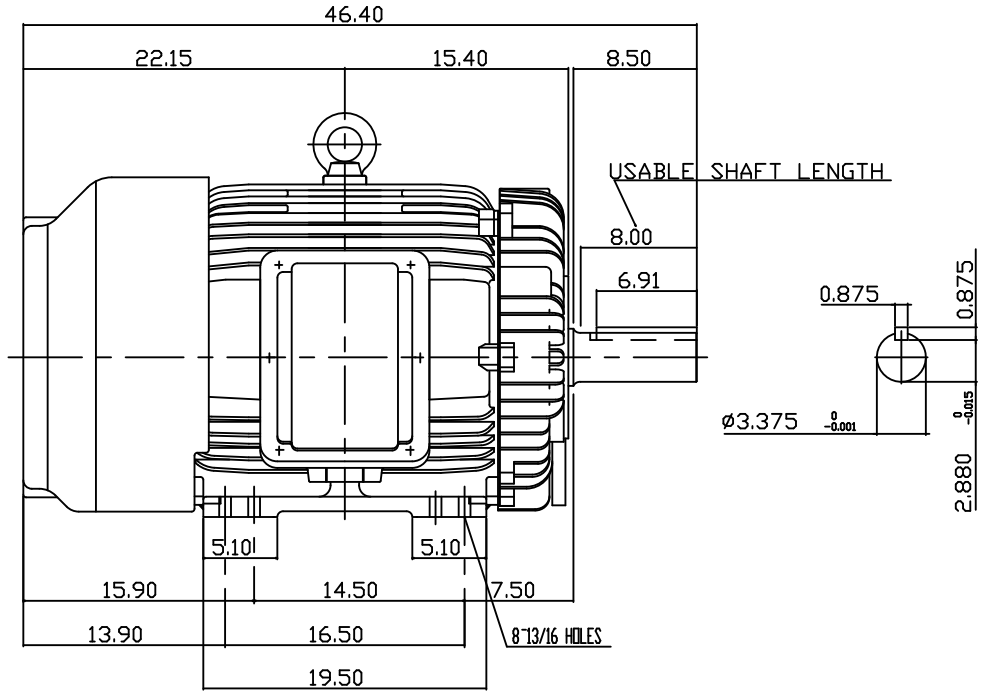


TYPE	OUTPUT		POLE	TIME RATING	VOLTAGE V	Hz	SYN.SPEED R.P.M
	HP.	KW.					
AEHH8N	100	74.6	8	CONT.	575	60	900

TOTALLY ENCLOSED FAN-COOLED TYPE. SQUIRREL-CAGE ROTOR



- NOTE:
1. DIMENSIONS IN INCH
  2. FRAME NO. 445T
  3. F CLASS INSULATION, S.F.1.15
  4. FOR BELTED SERVICE
  5. ENCLOSURE: IP54
  6. BEARING SIZE: DRIVE END: NU318  
NON-DRIVE END: 6316
  7. APPROX. WEIGHT: 1900 LBS

TW-56C

DWN.	S.DING	JAN '28 '2005
CHKD.	H.HUANG	JAN '28 '2005
APPD.	C.WANG	JAN '28 '2005

DATE 20050616	OUTLINE DIMENSIONS
CATALOG # EP10085	3-PHASE INDUCTION MOTOR
<b>TEC Westinghouse</b>	
DWG NO.	REV: 00
3A040Y651	

# TECO Westinghouse

ISSUED <b>January 10, 2020</b>	<b>PERFORMANCE DATA</b>	ENCLOSURE <b>TEFC</b>
TYPE <b>AEHH8N</b>	<b>3-PHASE INDUCTION MOTOR</b>	CATALOG# <b>EP10085</b>

### NAMEPLATE INFORMATION

OUTPUT		POLE	FRAME SIZE	VOLTAGE	HZ	RATED AMBIENT	INS. CLASS	NEMA DESIGN	TIME RATING	SERVICE FACTOR
HP	KW									
<b>100</b>	<b>74.6</b>	<b>8</b>	<b>445T</b>	<b>575</b>	<b>60</b>	<b>40°C</b>	<b>F</b>	<b>B</b>	<b>CONT.</b>	<b>1.15</b>

### TYPICAL PERFORMANCE

FULL LOAD RPM	EFFICIENCY				POWER FACTOR			MAXIMUM POWER FACTOR CORRECTION
	FULL LOAD		3/4 LOAD %	1/2 LOAD %	F. L. %	3/4 LOAD %	1/2 LOAD %	
	MIN. %	NOM. %						
<b>885</b>	<b>92.4</b>	<b>93.6</b>	<b>92.4</b>	<b>91</b>	<b>79</b>	<b>76.5</b>	<b>68</b>	<b>15 KVAR</b>

### CURRENTS

NO LOAD	FULL LOAD	LOCKED ROTOR	NEMA KVA CODE LETTER
<b>19.20</b>	<b>101.60</b>	<b>580.00</b>	

### TORQUE

### INERTIA

### ACCEL TIME

FULL LOAD lb-ft	LOCKED ROTOR %FLT	PULL UP %FLT	BREAK DOWN %FLT	ROTOR WR <sup>2</sup> lb-ft <sup>2</sup>	NEMA LOAD WK <sup>2</sup> lb-ft <sup>2</sup>	MAX ALLOWABLE WK <sup>2</sup> lb-ft <sup>2</sup>	NEMA LOAD WK <sup>2</sup> Sec	MAX ALLOWABLE WK <sup>2</sup> Sec

SAFE STALL TIME IN SECONDS

ALLOWABLE STARTS PER HOUR

SOUND PRESSURE LEVEL @ 3 FT dB(A)

SAFE STALL TIME IN SECONDS		ALLOWABLE STARTS PER HOUR		SOUND PRESSURE LEVEL @ 3 FT dB(A)
COLD	HOT	COLD	HOT	
<b>30</b>	<b>22</b>	<b>2</b>	<b>1</b>	<b>74</b>

APPROVED:	<b>M. PRATER</b>	DRAWING NO.	<b>3A057EP10085</b>	REV <b>0</b>
-----------	------------------	-------------	---------------------	--------------

DATE:  
June 27, 2005

# CONNECTION DIAGRAM

CATALOG NO.:



**SCHEMATIC - Δ CONNECTION**

## ACROSS THE LINE CONNECTION



**575 VOLT CONNECTION**