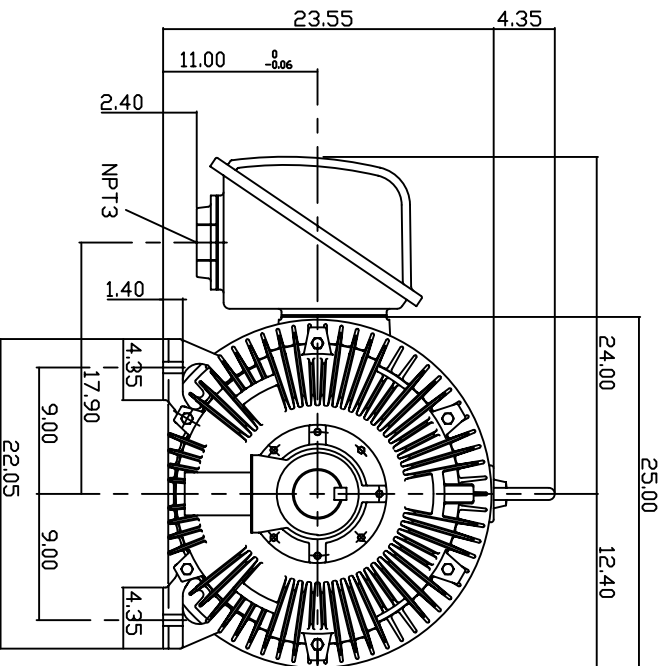
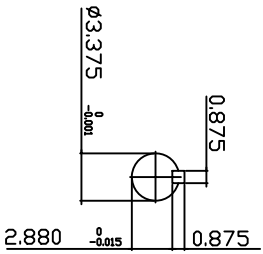
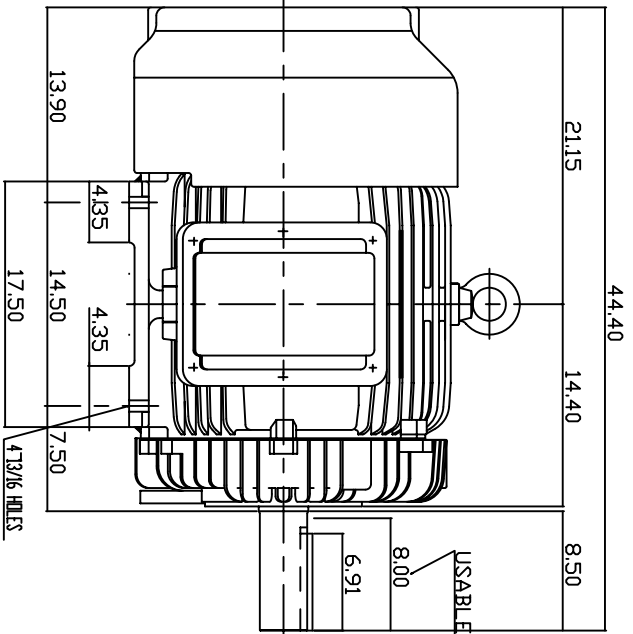


| TYPE | OUTPUT | | POLE | TIME RATING | VOLTAGE | Hz | SYN SPEED R.P.M |
|-------|--------|------|------|-------------|---------|----|-----------------|
| | HP. | KW. | | | | | |
| AEH8N | 125 | 93.3 | 4 | CONT. | 575 | 60 | 1800 |

TOTALLY ENCLOSED FAN-COOLED TYPE, SQUIRREL-CAGE ROTOR



NOTE:

1. DIMENSIONS IN INCH
2. FRAME NO. 444T
3. F CLASS INSULATION, S.F.1.15
4. FOR DIRECT FLEXIBLE COUPLING
5. ENCLOSURE: IP54
6. BEARING SIZE: DRIVE END: 6318
NON-DRIVE END: 6316
7. APPROX. WEIGHT: 1600 LBS

TW-56C

| | |
|---------------|-------------|
| DWN. N.QIN | JAN 13 2005 |
| CHKD. H.HUANG | JAN 13 2005 |
| APPD. C.WANG | JAN 13 2005 |

DATE 20050617
CATALOG # EP12545

OUTLINE DIMENSIONS
3-PHASE INDUCTION MOTOR



DWG NO. 3A040Y599
REV. 00

TECO Westinghouse

| | | |
|-----------------------------------|--------------------------------|----------------------------|
| ISSUED January 10, 2006 | PERFORMANCE DATA | ENCLOSURE TEFC |
| TYPE AEHH8N | 3-PHASE INDUCTION MOTOR | CATALOG# EP12545 |

NAMEPLATE INFORMATION

| OUTPUT | | POLE | FRAME SIZE | VOLTAGE | HZ | RATED AMBIENT | INS. CLASS | NEMA DESIGN | TIME RATING | SERVICE FACTOR |
|------------|-------------|----------|-------------|------------|-----------|---------------|------------|-------------|--------------|----------------|
| HP | KW | | | | | | | | | |
| 125 | 93.3 | 4 | 444T | 575 | 60 | 40°C | F | C | CONT. | 1.15 |

TYPICAL PERFORMANCE

| FULL LOAD RPM | EFFICIENCY | | | | POWER FACTOR | | | MAXIMUM POWER FACTOR CORRECTION |
|---------------|-------------|-------------|------------|-------------|--------------|------------|------------|---------------------------------|
| | FULL LOAD | | 3/4 LOAD % | 1/2 LOAD % | F. L. % | 3/4 LOAD % | 1/2 LOAD % | |
| | MIN. % | NOM. % | | | | | | |
| 1780 | 94.5 | 95.4 | 95 | 94.1 | 84 | 82 | 77 | 24 KVAR |

CURRENTS

| NO LOAD | | | FULL LOAD | | | LOCKED ROTOR | | | NEMA KVA CODE LETTER |
|--------------|--|--|---------------|--|--|---------------|--|--|----------------------|
| | | | | | | | | | |
| AT 575 VOLT | | | AT 575 VOLT | | | AT 575 VOLT | | | |
| 30.30 | | | 116.80 | | | 728.00 | | | G |

TORQUE

INERTIA

ACCEL TIME

| FULL LOAD lb-ft | LOCKED ROTOR %FLT | PULL UP %FLT | BREAK DOWN %FLT | ROTOR WR ² lb-ft ² | NEMA LOAD WK ² lb-ft ² | MAX ALLOWABLE WK ² lb-ft ² | NEMA LOAD WK ² Sec | MAX ALLOWABLE WK ² Sec |
|-----------------|-------------------|--------------|-----------------|--|--|--|-------------------------------|-----------------------------------|
| 368 | 130 | 100 | 220 | 44.3 | 542 | 1084 | 5.42 | 10.42 |

SAFE STALL TIME IN SECONDS

ALLOWABLE STARTS PER HOUR

SOUND PRESSURE LEVEL @ 3 FT dB(A)

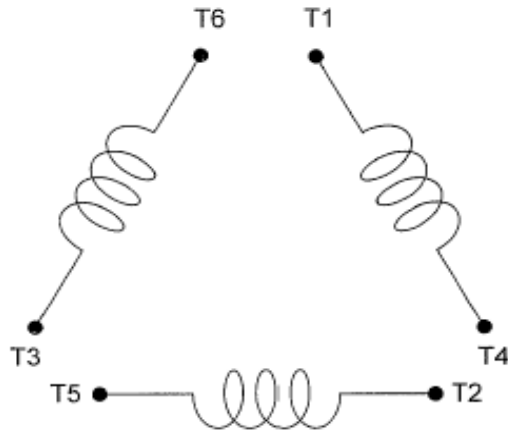
| COLD | | HOT | | |
|-----------|-----------|----------|----------|--|
| 24 | 17 | 2 | 1 | |

| | | | | |
|-----------|------------------|-------------|---------------------|-------------------|
| APPROVED: | M. PRATER | DRAWING NO. | 3A057EP12545 | REVISION 0 |
|-----------|------------------|-------------|---------------------|-------------------|

DATE:
January 4, 2006

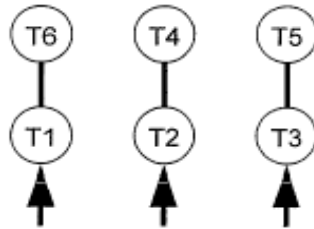
CONNECTION DIAGRAM

CATALOG NO.:
EP12545



SCHEMATIC - Δ / Y CONNECTION

ACROSS THE LINE CONNECTION



575 VOLT CONNECTION

WYE START-DELTA RUN CONNECTION



**LINE
575 VOLT START**



**LINE
575 VOLT RUN**