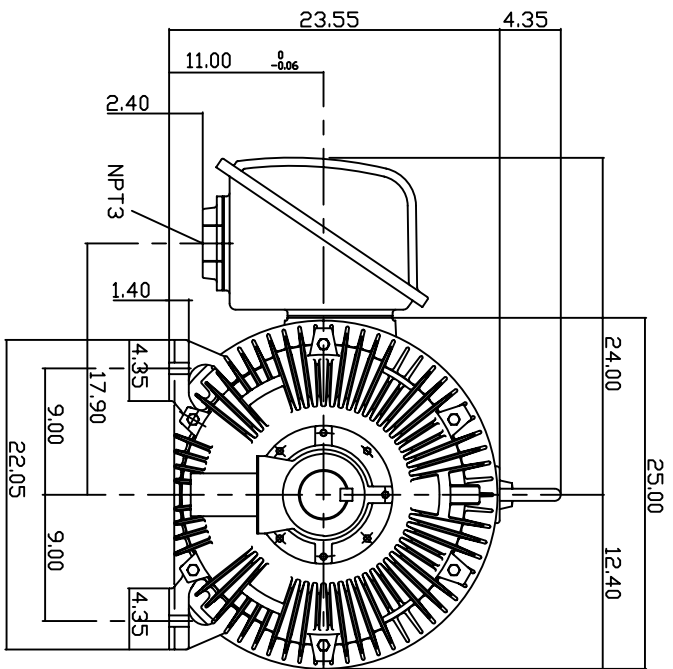
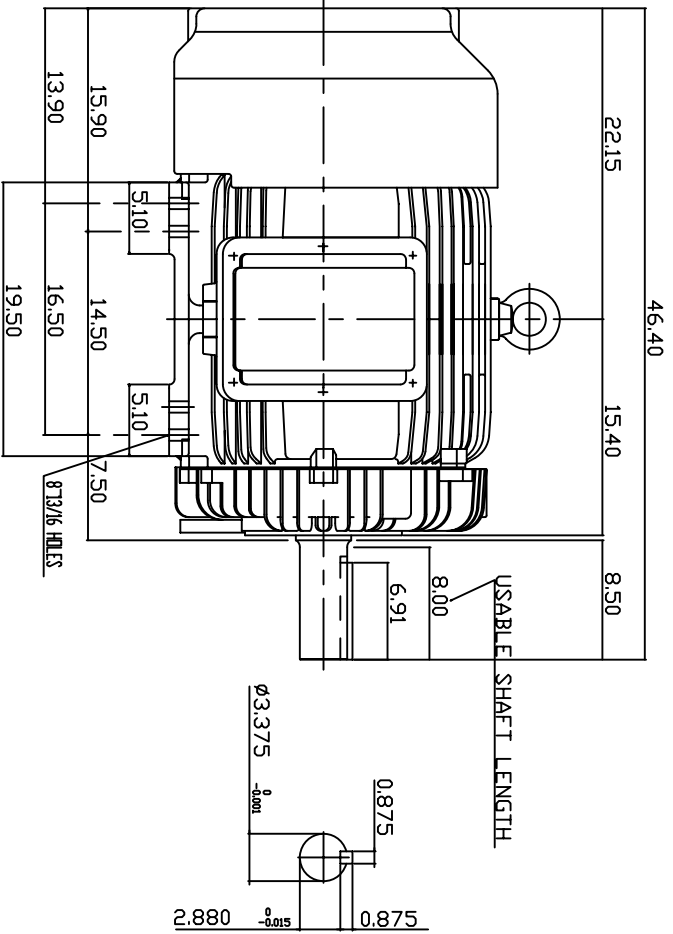


TYPE	OUTPUT		POLE	TIME RATING	VOLTAGE	Hz	SYNSPEED R.P.M
	HP.	KW.					
AEH8N	125	93.3	6	CONT.	575	60	1200

TOTALLY ENCLOSED FAN-COOLED TYPE, SQUIRREL-CAGE ROTOR



NOTE:

1. DIMENSIONS IN INCH
2. FRAME NO. 445T
3. F CLASS INSULATION, S.F.115
4. FOR BELTED SERVICE
5. ENCLOSURE: IP54
6. BEARING SIZE: DRIVE END: NU318  
NON-DRIVE END: 6316
7. APPROX. WEIGHT: 1900 LBS

TW-56C

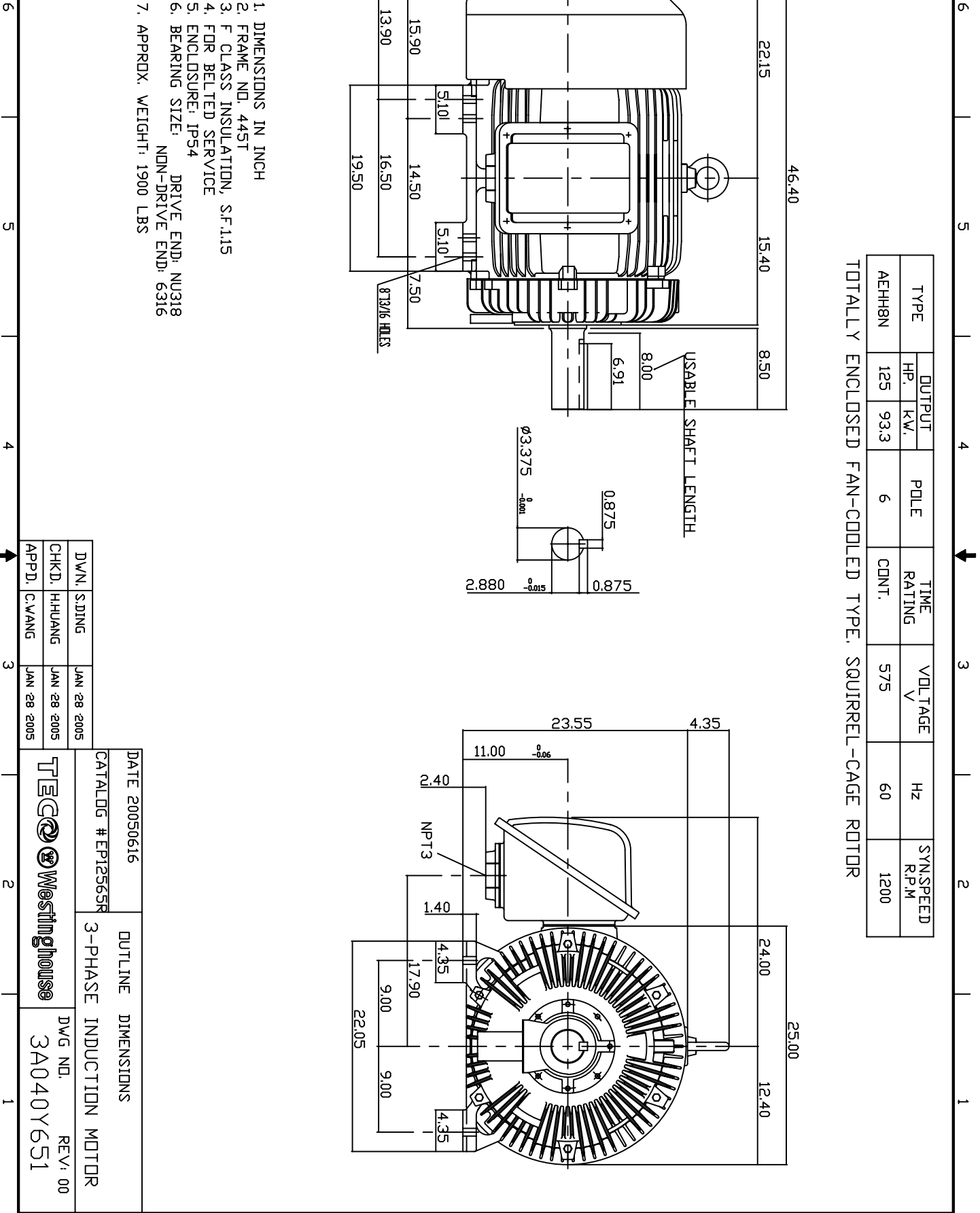
DWN.	S. DING	JAN -28 -2005
CHKD.	H. HUANG	JAN -28 -2005
APPD.	C. WANG	JAN -28 -2005

DATE 20050616  
 CATALOG # EP12565R  
 3-PHASE INDUCTION MOTOR



DWG NO. 3A040Y651  
 REV: 00

OUTLINE DIMENSIONS



# TECO Westinghouse

ISSUED <b>October 5, 2006</b>	<b>PERFORMANCE DATA</b>	ENCLOSURE <b>TEFC</b>
TYPE <b>AEHH8N</b>	<b>3-PHASE INDUCTION MOTOR</b>	CATALOG# <b>EP12565R</b>

### NAMEPLATE INFORMATION

OUTPUT		POLE	FRAME SIZE	VOLTAGE	HZ	RATED AMBIENT	INS. CLASS	NEMA DESIGN	TIME RATING	SERVICE FACTOR
HP	KW									
<b>125</b>	<b>93.3</b>	<b>6</b>	<b>445T</b>	<b>575</b>	<b>60</b>	<b>40°C</b>	<b>F</b>	<b>C</b>	<b>CONT.</b>	<b>1.15</b>

### TYPICAL PERFORMANCE

FULL LOAD RPM	EFFICIENCY				POWER FACTOR			MAXIMUM POWER FACTOR CORRECTION
	FULL LOAD		3/4 LOAD	1/2 LOAD	F. L.	3/4 LOAD	1/2 LOAD	
	MIN. %	NOM. %						
<b>1185</b>	<b>94.1</b>	<b>95</b>	<b>94.5</b>	<b>93.6</b>	<b>83</b>	<b>80.5</b>	<b>74</b>	<b>45 KVAR</b>

### CURRENTS

NO LOAD			FULL LOAD			LOCKED ROTOR			NEMA KVA CODE LETTER
AT 575 VOLT			AT 575 VOLT			AT 575 VOLT			
<b>47.80</b>			<b>119.90</b>			<b>784.40</b>			

### TORQUE

### INERTIA

### ACCEL TIME

FULL LOAD lb-ft	LOCKED ROTOR %FLT	PULL UP %FLT	BREAK DOWN %FLT	ROTOR WR <sup>2</sup> lb-ft <sup>2</sup>	NEMA LOAD WK <sup>2</sup> lb-ft <sup>2</sup>	MAX ALLOWABLE WK <sup>2</sup> lb-ft <sup>2</sup>	NEMA LOAD WK <sup>2</sup> Sec	MAX ALLOWABLE WK <sup>2</sup> Sec

SAFE STALL TIME IN SECONDS		ALLOWABLE STARTS PER HOUR		SOUND PRESSURE LEVEL @ 3 FT dB(A)
COLD	HOT	COLD	HOT	
<b>17</b>	<b>12</b>	<b>2</b>	<b>1</b>	

APPROVED:	<b>M. PRATER</b>	DRAWING NO.	<b>3A057EP1256R5</b>	REVISION	<b>0</b>
-----------	------------------	-------------	----------------------	----------	----------

DATE:  
October 12, 2006

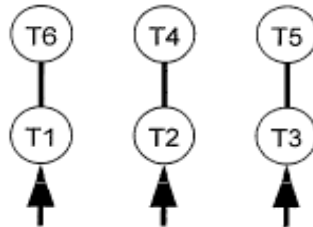
# CONNECTION DIAGRAM

CATALOG NO.:  
EP12565R



**SCHEMATIC -  $\Delta$  / Y CONNECTION**

## ACROSS THE LINE CONNECTION



**575 VOLT CONNECTION**

## WYE START-DELTA RUN CONNECTION



**LINE  
575 VOLT START**



**LINE  
575 VOLT RUN**