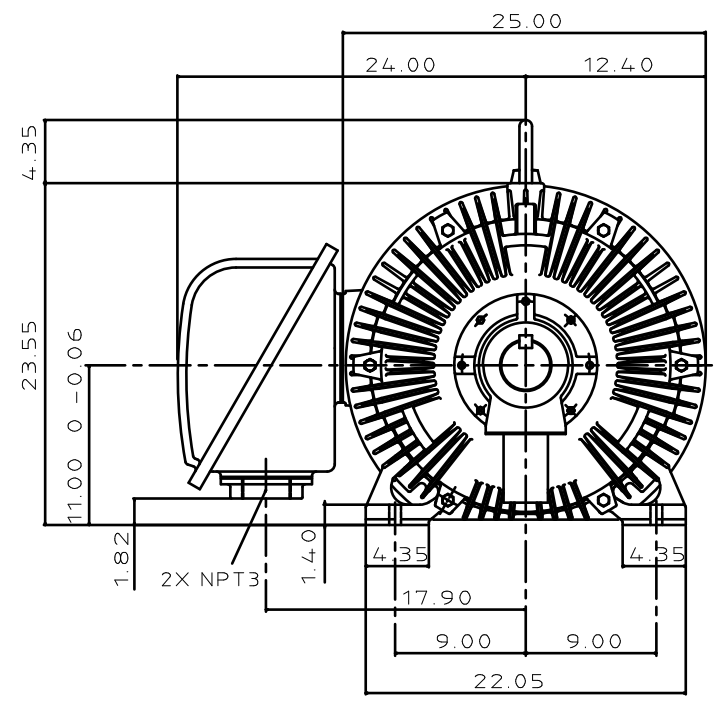
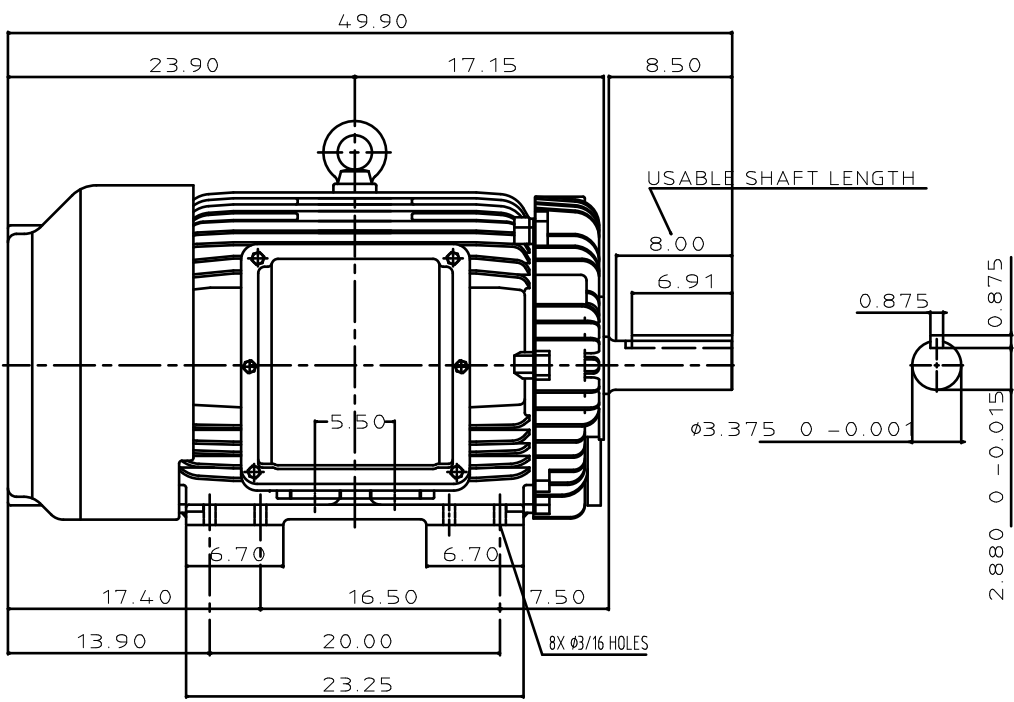


| TYPE | OUTPUT | | POLE | TIME RATING | VOLTAGE V | Hz | SYN.SPEED R.P.M |
|--------|--------|------|------|-------------|-----------|----|-----------------|
| | HP. | KW. | | | | | |
| AEHH8N | 125 | 93.3 | 8 | CONT. | 460 | 60 | 900 |

TOTALLY ENCLOSED FAN-COOLED TYPE. SQUIRREL-CAGE ROTOR



- NOTE:
1. DIMENSIONS IN INCH
 2. FRAME NO. 447T
 3. F CLASS INSULATION, S.F.1.15
 4. FOR DIRECT FLEXIBLE COUPLING
 5. ENCLOSURE: IP55
 6. BEARING SIZE: DRIVE END: NU320
NON-DRIVE END: 6316C3
 7. APPROX. WEIGHT: 2500 LBS

TW-56BC

| | | |
|------|---------|-------------|
| DWN | T.H.Pan | FEB*18 2005 |
| CHKD | H.HUANG | FEB*18 2005 |
| APPD | C.WANG | FEB*18 2005 |

| | | |
|-----------|----------|-------------------------|
| DATE | 01-02-17 | OUTLINE DIMENSIONS |
| CATALOG # | EP1258R | 3-PHASE INDUCTION MOTOR |
| | | DWG NO. REV: 02 |
| | | 3A040Y700 |

TECO Westinghouse

| | | |
|-----------------------------------|--------------------------------|----------------------------|
| ISSUED October 23, 2017 | PERFORMANCE DATA | ENCLOSURE TEFC |
| TYPE AEHH8N | 3-PHASE INDUCTION MOTOR | CATALOG# EP1258R |

NAMEPLATE INFORMATION

| OUTPUT | | POLE | FRAME SIZE | VOLTAGE | HZ | RATED AMBIENT | INS. CLASS | NEMA DESIGN | TIME RATING | SERVICE FACTOR |
|--------|------|------|------------|---------|----|---------------|------------|-------------|-------------|----------------|
| HP | KW | | | | | | | | | |
| 125 | 93.3 | 8 | 447T | 460 | 60 | 40°C | F | B | CONT. | 1.15 |

TYPICAL PERFORMANCE

| FULL LOAD RPM | EFFICIENCY | | | | POWER FACTOR | | | MAXIMUM POWER FACTOR CORRECTION |
|---------------|------------|-------------|-------------|-------------|--------------|-----------|-----------|---------------------------------|
| | FULL LOAD | | 3/4 LOAD | 1/2 LOAD | F. L. | 3/4 LOAD | 1/2 LOAD | |
| | MIN. % | NOM. % | | | | | | |
| 888 | 93 | 94.1 | 93.6 | 92.1 | 80 | 77 | 69 | 48 KVAR |

CURRENTS

| NO LOAD | | FULL LOAD | | LOCKED ROTOR | | NEMA KVA CODE LETTER |
|---------|-------------|-----------|-------------|--------------|-------------|----------------------|
| | AT 460 VOLT | | AT 460 VOLT | | AT 460 VOLT | |
| | 60 | | 155 | | 910 | |

TORQUE

INERTIA

ACCEL TIME

| FULL LOAD lb-ft | LOCKED ROTOR %FLT | PULL UP %FLT | BREAK DOWN %FLT | ROTOR WR ² lb-ft ² | NEMA LOAD WK ² lb-ft ² | MAX ALLOWABLE WK ² lb-ft ² | NEMA LOAD WK ² Sec | MAX ALLOWABLE WK ² Sec |
|-----------------|-------------------|--------------|-----------------|--|--|--|-------------------------------|-----------------------------------|
| 739.1 | 120 | 100 | 200 | 141 | 2919 | 7297 | 7.62 | 18.52 |

SAFE STALL TIME IN SECONDS

ALLOWABLE STARTS PER HOUR

SOUND PRESSURE LEVEL @ 3 FT dB(A)

COLD

HOT

COLD

HOT

26

18

2

1

74

APPROVED:

M. PRATER

DRAWING NO.

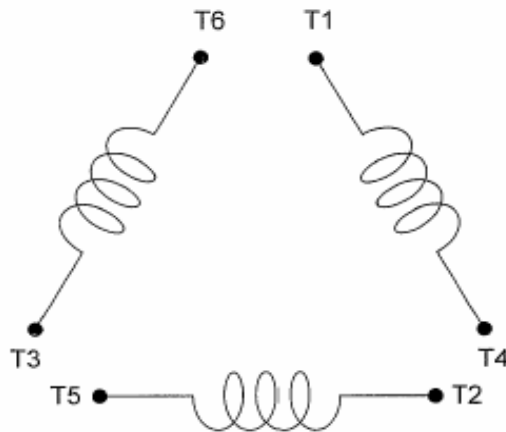
31057EP1258R

REVISION **0**

DATE:
December 28, 2010

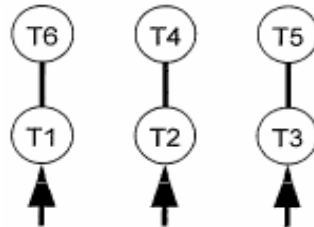
CONNECTION DIAGRAM

CATALOG NO.:
EP1258R



SCHEMATIC - Δ / Y CONNECTION

ACROSS THE LINE CONNECTION



460 VOLT CONNECTION

***CONTACT TWMC IF YOU HAVE ANY QUESTIONS
REGARDING THE MOTOR CONNECTION.**

PH: 1-800-873-8326