

11

10

9

8

7

6

5

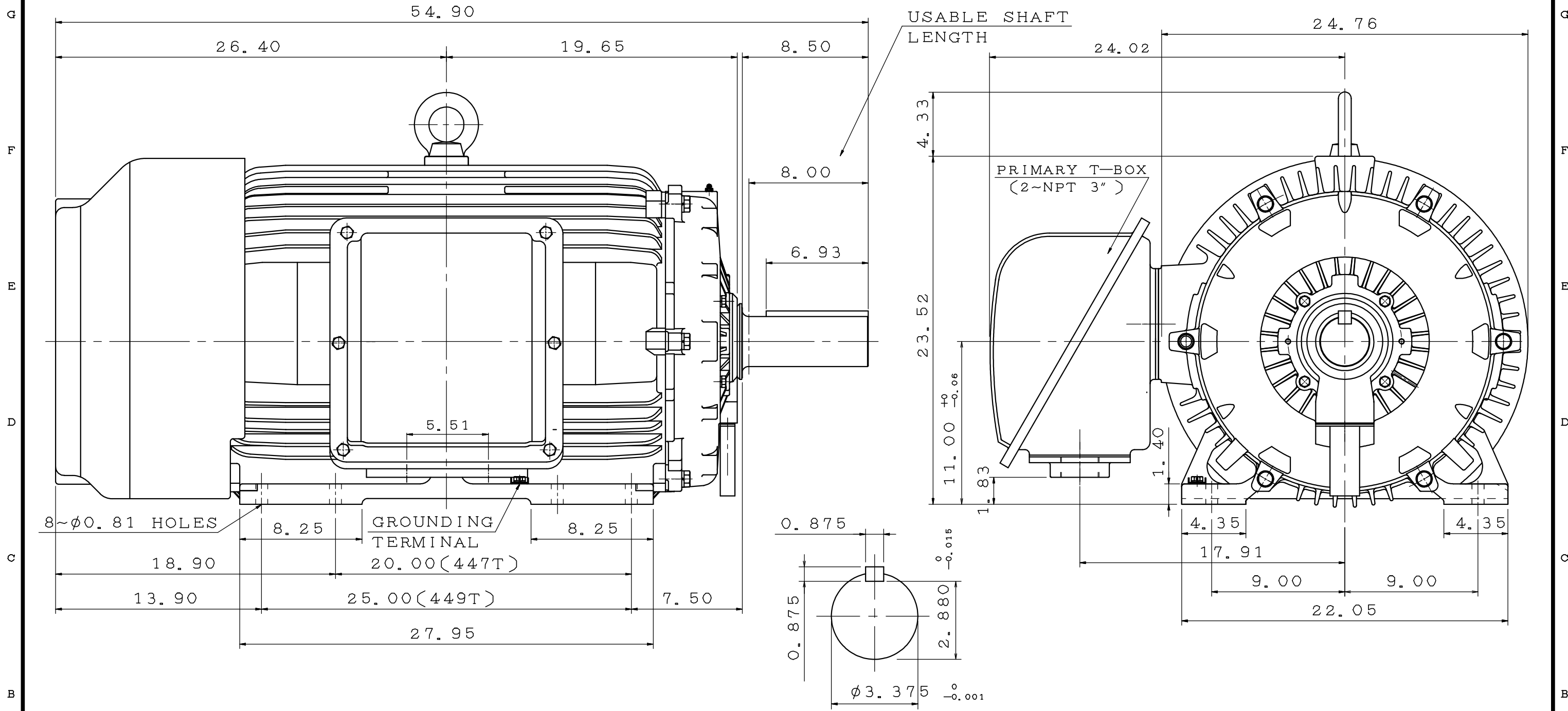
4

3

2

1

POLE	HP	kW	Hz	VOLT	r/min(RPM)	INS	RATING	DIMENSION IN	APPROX WEIGHT	BEARINGS
8	150	112	60	460	900	F	CONT.	INCH	2281 lbs	DE: 6320 NDE: 6316



NOTE:  
 1. FOR DIRECT FLEXIBLE COUPLING  
 2. ENCLOSURE: IP55 PROTECTION

SHAFT END ENLARGED VIEW

OUTLINE DIMENSIONS  
 3-PHASE INDUCTION MOTOR

MOTOR TYPE	AEHH8N	FRAME NO.	449T
CATALOG NO:	EP1508	DATE	APRIL 1, 2020

APPD.	BEN. YANG	06.19.19
CHKD.	K. L. KUO	06.19.19
DWG.	K. L. KUO	06.15.19

**TECO** Westinghouse

DWG NO.  
 31057C578260

第三角法

11

10

9

8

7

6

5

4

3

2

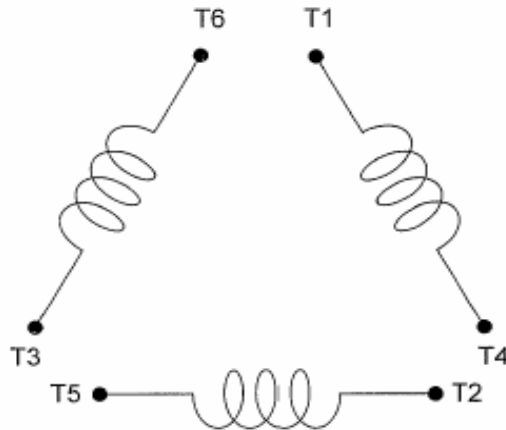
1

ISSUED <b>03/13/12</b>		<b>PERFORMANCE DATA</b> <b>3-PHASE INDUCTION MOTOR</b>						ENCLOSURE <b>TEFC</b>		
TYPE <b>AEHH8N</b>								CATALOG# <b>EP1508</b>		
<b>NAMEPLATE INFORMATION</b>										
OUTPUT HP   KW		POLE	FRAME SIZE	VOLTAGE	HZ	RATED AMBIENT	INS. CLASS	NEMA DESIGN	TIME RATING	SERVICE FACTOR
<b>150   112</b>		<b>8</b>	<b>449T</b>	<b>460</b>	<b>60</b>	<b>40°C</b>	<b>F</b>	<b>B</b>	<b>CONT.</b>	<b>1.15</b>
<b>TYPICAL PERFORMANCE</b>										
FULL LOAD RPM	EFFICIENCY				POWER FACTOR			MAXIMUM POWER FACTOR CORRECTION		
	FULL LOAD		3/4 LOAD	1/2 LOAD	F. L.	3/4 LOAD	1/2			
	MIN. %	NOM. %	%	%	%	%	LOAD			
<b>888</b>	<b>93.0</b>	<b>94.1</b>	<b>93.6</b>	<b>92.1</b>	<b>80</b>	<b>77</b>	<b>69</b>	<b>58 KVAR</b>		
<b>CURRENTS</b>						NEMA KVA CODE LETTER				
NO LOAD		FULL LOAD	LOCKED ROTOR							
<b>72.2</b>		<b>187</b>	<b>1085</b>							
						NEMA KVA CODE LETTER				
<b>72.2</b>		<b>187</b>	<b>1085</b>							
<b>TORQUE</b>				<b>INERTIA</b>			<b>ACCEL TIME</b>			
FULL LOAD lb-ft	LOCKED ROTOR %FLT	PULL UP %FLT	BREAK DOWN %FLT	ROTOR WR <sup>2</sup> lb-ft <sup>2</sup>	NEMA LOAD WK <sup>2</sup> lb-ft <sup>2</sup>	MAX ALLOWABLE WK <sup>2</sup> lb-ft <sup>2</sup>	NEMA LOAD WK <sup>2</sup> Sec	MAX ALLOWABL E WK <sup>2</sup> Sec		
<b>886.9</b>	<b>120</b>	<b>100</b>	<b>200</b>	<b>166</b>	<b>3456</b>	<b>8640</b>	<b>7.06</b>	<b>17.17</b>		
SAFE STALL TIME IN SECONDS		ALLOWABLE STARTS PER HOUR		SOUND PRESSURE LEVEL @ 3 FT dB(A)						
COLD	HOT	COLD	HOT							
<b>27</b>	<b>18</b>	<b>2</b>	<b>1</b>			<b>74</b>				
APPROVED:		<b>M. PRATER</b>			DRAWING NO.		<b>3A057EP1508</b>		REVISION <b>0</b>	

DATE:  
December 28, 2010

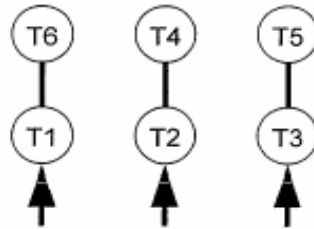
# CONNECTION DIAGRAM

CATALOG NO.:  
EP1508



**SCHEMATIC - Δ / Y CONNECTION**

## ACROSS THE LINE CONNECTION



**460 VOLT CONNECTION**

**\*CONTACT TWMC IF YOU HAVE ANY QUESTIONS  
REGARDING THE MOTOR CONNECTION.**

**PH: 1-800-873-8326**