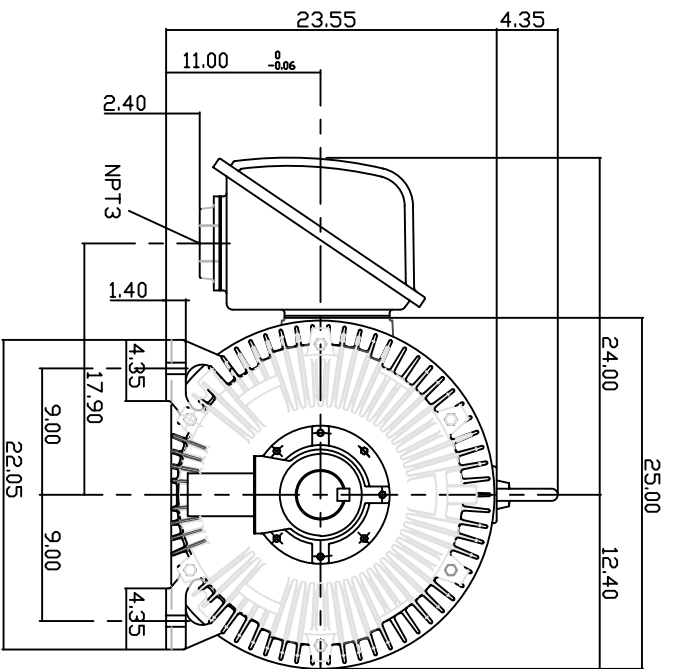
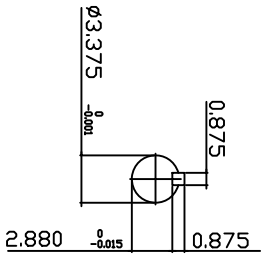
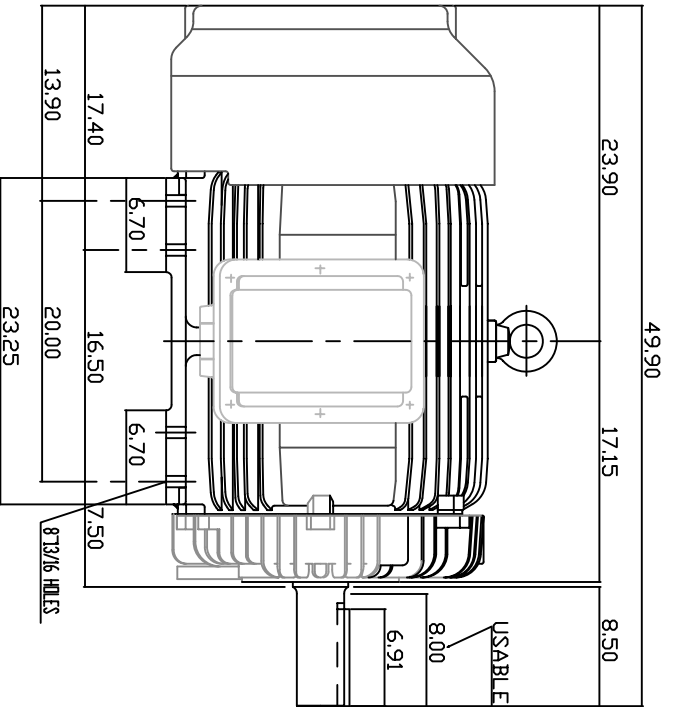


TYPE	OUTPUT HP.	KW.	POLE	RATING CNT.	VOLTAGE V	HZ	SYNSPEED R.P.M
AEHH8N	200	149.2	4		575	60	1800

TOTALLY ENCLOSED FAN-COOLED TYPE, SQUIRREL-CAGE ROTOR



NOTE:

1. DIMENSIONS IN INCH
2. FRAME NO. 447T
3. F CLASS INSULATION, S.F.115
4. FOR DIRECT FLEXIBLE COUPLING
5. ENCLOSURE: IP54
6. BEARING SIZE: DRIVE END: 6320
NON-DRIVE END: 6316
7. APPROX. WEIGHT: 2450 LBS

TW-56C

DWN.	NO.	DATE
CHKD.	H.HUANG	JAN 13 2005
APPD.	C.WANG	JAN 13 2005

DATE 20050617
CATALOG # EP20045

OUTLINE DIMENSIONS
3-PHASE INDUCTION MOTOR



DWG NO. 3A040Y597
REV. 00

TECO Westinghouse

ISSUED October 5, 2006	PERFORMANCE DATA	ENCLOSURE TEFC
TYPE AEHH8N	3-PHASE INDUCTION MOTOR	CATALOG# EP20045

NAMEPLATE INFORMATION

OUTPUT		POLE	FRAME SIZE	VOLTAGE	HZ	RATED AMBIENT	INS. CLASS	NEMA DESIGN	TIME RATING	SERVICE FACTOR
HP	KW									
200	149.2	4	447T	575	60	40°C	F	C	CONT.	1.15

TYPICAL PERFORMANCE

FULL LOAD RPM	EFFICIENCY				POWER FACTOR			MAXIMUM POWER FACTOR CORRECTION
	FULL LOAD		3/4 LOAD %	1/2 LOAD %	F. L. %	3/4 LOAD %	1/2 LOAD %	
	MIN. %	NOM. %						
1786	95.4	96.2	95.8	95	84.5	82.5	78.5	41 KVAR

CURRENTS

NO LOAD		FULL LOAD			LOCKED ROTOR			NEMA KVA CODE LETTER
AT 575 VOLT		AT 575 VOLT			AT 575 VOLT			
37.10			185.80			1255.00	G	

TORQUE

INERTIA

ACCEL TIME

FULL LOAD lb-ft	LOCKED ROTOR %FLT	PULL UP %FLT	BREAK DOWN %FLT	ROTOR WR ² lb-ft ²	NEMA LOAD WK ² lb-ft ²	MAX ALLOWABLE WK ² lb-ft ²	NEMA LOAD WK ² Sec	MAX ALLOWABLE WK ² Sec
588	120	95	210	73.5	831	1662	5.52	10.59

SAFE STALL TIME IN SECONDS		ALLOWABLE STARTS PER HOUR		SOUND PRESSURE LEVEL @ 3 FT dB(A)
COLD	HOT	COLD	HOT	
19	13	2	1	

APPROVED:	M. PRATER	DRAWING NO.	3A057EP20045	REVISION 0
-----------	------------------	-------------	---------------------	-------------------

DATE:
October 12, 2006

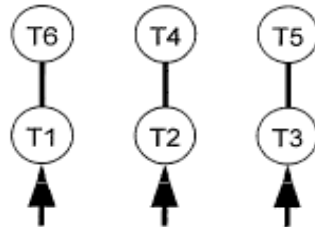
CONNECTION DIAGRAM

CATALOG NO.:
EP20045



SCHEMATIC - Δ / Y CONNECTION

ACROSS THE LINE CONNECTION



575 VOLT CONNECTION

WYE START-DELTA RUN CONNECTION



**LINE
575 VOLT START**



**LINE
575 VOLT RUN**